



COMMERCIAL PRODUCTS

TREX SIGNATURE® CURVED RAILING ORDER FORM

Customer Name: _____ Phone: _____ Date: _____

Shipping Address: _____ City: _____ State: _____ Zip: _____

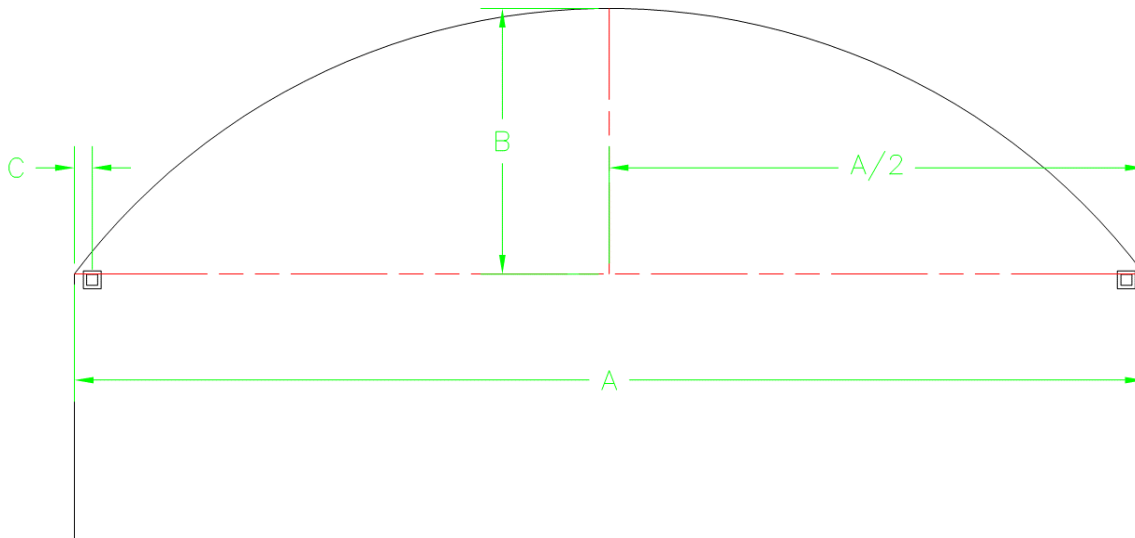
Product Information (Check One from Each Row)

Product Style: Square Baluster

Overall Rail Height: 36" 42"

Color: Charcoal Black Classic White Bronze

Geometry



REF	DESCRIPTION	DIMENSION
A	Overall Dimension at Edge of Decking	
A/2	Centerpoint of Dimension A	
B	Offset to Edge of Decking at Centerline of Posts	
C	Post Centerline Offset from Edge of Deck	
Requested Qty of Rolled Sections		

Submit Completed Form to: quotes@trexcommercial.com