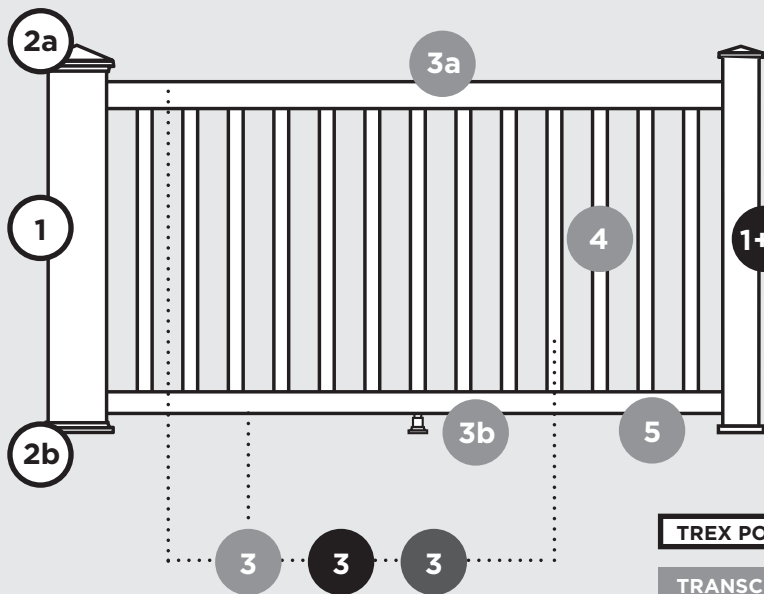


# RAILING











## RAILING— a lot easier than it looks

Selecting the right railing is pretty easy, but each Trex railing line is a little different. Please read the system descriptions at the top of each product section so you can choose exactly which railing components you need to complete your design. For additional guidance, the chart to the left depicts each railing system's components.

## Post Sleeves, Caps & Skirts SKUs

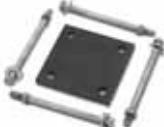
○ These components can be used as steps 1 & 2 for all Trex railing lines.

STEP	COMPONENT	DESCRIPTION	ITEM NUMBER
1	Post Sleeve	4" x 4" x 39" Post Sleeve <i>[4.45 in x 4.45 in x 40 in (113 mm x 113 mm x 101 cm) external dimensions]</i>	XX040439APS
		4" x 4" x 108" Post Sleeve <i>[4.45 in x 4.45 in x 108 in (113 mm x 113 mm x 274 cm) external dimensions]</i>	XX0404108APS
		6" x 6" x 39" Post Sleeve <i>[5.5 in x 5.5 in x 39 in (139 mm x 139 mm x 990 mm) external dimensions]</i>	WT060639APS
		6" x 6" x 108" Post Sleeve <i>[5.5 in x 5.5 in x 108 in (139 mm x 139 mm x 274 cm) external dimensions]</i>	WT0606108APS
Each 4x4 and 6x6 post sleeve fits over a 4x4 pressure treated post or equivalent post mount.			
2a	Post Sleeve Cap	Flat 4" x 4" Post Sleeve Cap (12/box) <i>[5.5 in x 5.5 in (115 mm x 115 mm) internal dimensions]</i>	XXSQCAP4X4
		Pyramid 4" x 4" Post Sleeve Cap (12/box) <i>[4.55 in x 4.55 in (115 mm x 115 mm) internal dimensions]</i>	XXPYCAP4X4
		Flat 6" x 6" Post Sleeve Cap (12/box) <i>[5.55 in x 5.55 in (140 mm x 140 mm) internal dimensions]</i>	WTSQCAP6X6
		Pyramid 6" x 6" Post Sleeve Cap (12/box) <i>[5.55 in x 5.55 in (140 mm x 140 mm) internal dimensions]</i>	WTPYCAP6X6
Also available with LED lighting. See page 12.			
2b	Post Sleeve Skirt	4" x 4" Post Sleeve Skirt (12/box) <i>[4.55 in x 4.55 in (115 mm x 115 mm) internal dimensions]</i>	XXSKIRT4X4
		6" x 6" Post Sleeve Skirt (12/box) <i>[5.55 in x 5.55 in (140 mm x 140 mm) internal dimensions]</i>	WTSKIRT6X6
			
ACCESSORY	Surface Mount Post (for use with 4 x 4 composite post sleeve)	Aluminum Surface Mount Post for 36" (914 mm) Rail Height (1/box) <i>Actual external dimensions of insert: 3.75 in x 3.75 in x 7 in (95 mm x 95 mm x 177 mm)</i>	ALPOSTMOUNT36
		Aluminum Surface Mount Post for 42" (1066 mm) Rail Height (1/box) <i>Actual external dimensions of insert: 3.75 in x 3.75 in x 7 in (95 mm x 95 mm x 177 mm)</i>	ALPOSTMOUNT42
		Surface Mount Post Hardware—Wood (10 kits/box)	ALPOSTHWDECK
			
ACCESSORY	Joist Mount Post (for use with 4x4 composite post sleeve)	Aluminum Joist Mount Post for use with all Trex railing heights (1/box) <i>Actual external dimensions of insert: 3.75 in x 3.75 in x 7 in (95 mm x 95 mm x 177 mm)</i>	CPJMNTPOST63
			
ACCESSORY	Foot Block	Adjustable Foot Blocks (50/box)	XXFTBLK
			

XX = COLOR PREFIX: WT Classic White, BK Charcoal Black, FP Fire Pit, GP Gravel Path, RS Rope Swing, TH Tree House, VL Vintage Lantern

# Signature Aluminum Railing (previously Reveal Railing) SKUs

● Choose either Signature posts or Trex post sleeves, caps and skirts for steps 1 & 2. Pair with a rail & baluster kit (step 3).

STEP	COMPONENT	DESCRIPTION	ITEM NUMBER
1+2	Aluminum Post with Cap & Skirt	2.5" x 2.5" x 37" Post—Horizontal (IRC Compliant) <i>[2.5 in x 2.5 in x 37 in (63 mm x 63 mm x 939 mm) actual dimensions]</i>	XXAL252537RCAP
	Aluminum Crossover Post	2.5" x 2.5" x 43" Post—Horizontal (IRC Compliant) <i>[2.5 in x 2.5 in x 43 in (63 mm x 63 mm x 109 cm) actual dimensions]</i>	XXAL252543RCAP
		2.5" x 2.5" x 53" Post—Stair (IRC Compliant) <i>[2.5 in x 2.5 in x 53 in (63 mm x 63 mm x 134 cm) actual dimensions]</i>	XXAL252553RCAP
		2.5" x 2.5" x 36" Crossover Post—Horizontal (IRC Compliant) <i>[2.5 in x 2.5 in x 36 in (63 mm x 63 mm x 914 mm) actual dimensions]</i>	XXAL252536RCCP
		2.5" x 2.5" x 42" Crossover Post—Horizontal (IRC Compliant) <i>[2.5 in x 2.5 in x 42 in (63 mm x 63 mm x 106 cm) actual dimensions]</i>	XXAL252542RCCP
IRC Surface Mount Hardware		Aluminum Mounting Plate & Hardware <i>For use with all Trex 2.5" Surface Mount Aluminum Posts</i>	ALPOSTHWDECK
		Concrete Post Mount Kit	ALPOSTHWCONC


3	Aluminum Joist Mount Post with Cap and Skirt	2.5" x 2.5" x 63" <i>[2.5 in x 2.5 in x 63 in (63 mm x 63 mm x 160 cm) actual dimensions]</i>	XXJMNTPOST63
	Signature Fascia Mount Kit <i>(for use with wood framing)</i>	For use with Joist Mount Signature Railing Post only.	XXFMNTWOOD


3	<b>Rail &amp; Baluster Kit</b> » Top Rail » Bottom Rail » Balusters » Mounting & Support Hardware	6' x 36" Rail Kit w. Square Balusters—Horizontal	XXAS0636HRK
		6' x 36" Rail Kit w. Square Balusters—Stair	XXAS0636SRK
		8' x 36" Rail Kit w. Square Balusters—Horizontal	XXAS0836HRK
		8' x 36" Rail Kit w. Square Balusters—Stair	XXAS0836SRK
		6' x 42" Rail Kit w. Square Balusters—Horizontal	XXAS0642HRK
		6' x 42" Rail Kit w. Square Balusters—Stair	XXAS0642SRK
		8' x 42" Rail Kit w. Square Balusters—Horizontal	XXAS0842HRK
		8' x 42" Rail Kit w. Square Balusters—Stair	XXAS0842SRK
		6' x 36" Rail Kit w. Round Balusters—Horizontal	XXAR0636HRK
		6' x 36" Rail Kit w. Round Balusters—Stair	XXAR0636SRK
		8' x 36" Rail Kit w. Round Balusters—Horizontal	XXAR0836HRK
		8' x 36" Rail Kit w. Round Balusters—Stair	XXAR0836SRK
		6' x 42" Rail Kit w. Round Balusters—Horizontal	XXAR0642HRK
		6' x 42" Rail Kit w. Round Balusters—Stair	XXAR0642SRK
		8' x 42" Rail Kit w. Round Balusters—Horizontal	XXAR0842HRK
8' x 42" Rail Kit w. Round Balusters—Stair	XXAR0842SRK		
	6' x 36" Signature Assembled Panel (Square)—Horizontal*	BKAS0636HRPNL	
	8' x 36" Signature Assembled Panel (Square)—Horizontal*	BKAS0836HRPNL	
	6' x 42" Signature Assembled Panel (Square)—Horizontal*	BKAS0642HRPNL	
	8' x 42" Signature Assembled Panel (Square)—Horizontal*	BKAS0842HRPNL	
	<i>*Does not include hardware</i>		
	<b>Dimensions above are actuals. See below for metrics.</b>		
	<i>[6' x 36": 72 in x 36 in (182 cm x 914 mm) actual dimensions]</i>		
	<i>[8' x 36": 96 in x 36 in (243 cm x 914 mm) actual dimensions]</i>		
	<i>[6' x 42": 72 in x 42 in (182 cm x 106 cm) actual dimensions]</i>		
	<i>[8' x 42": 96 in x 42 in (243 cm x 106 cm) actual dimensions]</i>		

ACCESSORY	Signature Accessories	DESCRIPTION	ITEM NUMBER
		Cocktail Rail Bracket (10/pack)	XXCTBKTL10PK
		Fixed Bracket—Horizontal (4/pack)	XXFHBKTL
		Fixed Bracket—Stair (4/pack)	XXFSBKTL
		Swivel Bracket—Horizontal (2/pack—1 top, 1 bottom)	XXSWHBKTL
		Swivel Bracket—Stair (2/pack—1 top, 1 bottom)	XXSWSBKTL
		2.5" Horizontal Crossover Bracket (1/pack)	XX25FHCBKTL
		2.5" Swivel Crossover Bracket—Stair (1/pack)	XX25RCSWSCBKTL
		Compound Swivel Bracket (2/pack—1 top, 1 bottom)	XXCPDSWBKTL
		Aluminum Foot Block	XXALFTBLK
		Touch-up Pen	XXTOUCHUPPEN

# Transcend Railing SKUs

- Transcend is either a 5-step or 3-step process. Choose Trex post sleeves, caps and skirts (steps 1 & 2). Then choose each component separately for a custom design (5-step).

STEP	COMPONENT	DESCRIPTION	ITEM NUMBER
3a	Top & Bottom Rails In this step, two rails (1 top, 1 bottom) must be selected.	6' Crown Top Rail	XXCROWNTR06
		8' Crown Top Rail	XXCROWNTR08
3b	 Crown                      Universal	6' Universal Top/Bottom Rail	XXUNIVTBRO6
		8' Universal Top/Bottom Rail	XXUNIVTBRO8
		[6' Rail: 67.5 in (171 cm) actual length; 8' Rail: 91.5 in (232 cm) actual length]	

4			Balusters/Spindles	
See chart below for number of balusters needed to complete each railing section.				
				
BALUSTER TYPE	PER 6' SECTION	PER 8' SECTION		
Square & Colonial (Horizontal application)	13	18	Square Balusters for 36" Rail Height (16/pack) [1.418 in x 1.418 in x 30.375 in (36 mm x 36 mm x 771 mm) actual dimensions]	XX020230SBK
Square & Colonial (Stair application)	11	15	Square Balusters for 42" Rail Height (16/pack) [1.418 in x 1.418 in x 36.375 in (36 mm x 36 mm x 923 mm) actual dimensions]	XX020236SBK
Aluminum (Horizontal application)	15	20	Colonial Spindles for 36" Rail Height (16/pack) [1.418 in x 1.418 in x 30.375 in (36 mm x 36 mm x 771 mm) actual dimensions]	WT020230CSP
Aluminum (Stair application)	12	16	Colonial Spindles for 42" Rail Height (16/pack) [1.418 in x 1.418 in x 36.375 in (36 mm x 36 mm x 923 mm) actual dimensions]	WT020236CSP
Aluminum balusters are available in Charcoal Black, Classic White and Bronze only (BK, WT, BZ).			Round Aluminum Balusters for 36" Rail Height (20/pack) [.75 in x 30.25 in (19 mm x 768 mm) actual dimensions]	XXTA30RBK
			Round Aluminum Balusters for 42" Rail Height (20/pack) [.75 in x 36.25 in (19 mm x 920 mm) actual dimensions]	XXTA36RBK
			Square Aluminum Balusters for 36" Rail Height (20/pack) [.75 in x 30.25 in (19 mm x 768 mm) actual dimensions]	XXTA30SBK
			Square Aluminum Balusters for 42" Rail Height (20/pack) [.75 in x 36.25 in (19 mm x 920 mm) actual dimensions]	XXTA36SBK

5		Accessory Infill Kit	
» 2 Baluster Spacers		6' Accessory Infill Kit for Square/Colonial Balusters—Horizontal	XXSQHIK06
» Adjustable Foot Block		6' Accessory Infill Kit for Square/Colonial Balusters—Stair	XXSQSIK06
» Mounting Hardware		8' Accessory Infill Kit for Square/Colonial Balusters—Horizontal	XXSQHIK08
		8' Accessory Infill Kit for Square/Colonial Balusters—Stair	XXSQSIK08
		6' Accessory Infill Kit for Round Aluminum Balusters—Horizontal	XXRDIK06
		6' Accessory Infill Kit for Round Aluminum Balusters—Stair	XXRDSIK06
		8' Accessory Infill Kit for Round Aluminum Balusters—Horizontal	XXRDIK08
		8' Accessory Infill Kit for Round Aluminum Balusters—Stair	XXRDSIK08
		6' Accessory Infill Kit for Square Aluminum Balusters—Horizontal	XXASBHIK06
		6' Accessory Infill Kit for Square Aluminum Balusters—Stair	XXASBSIK06
		8' Accessory Infill Kit for Square Aluminum Balusters—Horizontal	XXASBHIK08
		8' Accessory Infill Kit for Square Aluminum Balusters—Stair	XXASBSIK08
		6' Glass Panel Accessory Kit [Glass panel mounting hardware; glass panel not included]	XXGLIK06

[6' Rail: 67.5 in (171 cm) actual length; 8' Rail: 91.5 in (232 cm) actual length]

ACCESSORY		Transcend Accessories	
All accessories include a quantity of 12 per box unless otherwise noted.		Mounting Hardware for Cut Rails—Horizontal	XXHZACCYKIT
		Mounting Hardware for Cut Rails—Stair	XXSTACCYKIT
		Transcend RSB Bracket Pack—Horizontal (24/box)	TSHBRACKET
		Transcend RSB Bracket Pack—Stair (24/box)	TSSBRACKET
		0 Degree Rail Gasket Pack—Horizontal	XX00HGASK
		0 Degree Rail Gasket Pack—Stair	XX00SGASK
		22.5 Degree Gasket Pack	XX22HGASK
		45 Degree Birdsmouth Gasket Pack (for 4 x 4)	XX45RSBADAPK
		45 Degree Gasket Pack (for 6 x 6)	WT45HGASK

- Or simply choose a rail & baluster kit in Classic White (3-step).

3		Rail & Baluster Kit	
» Crown Top Rail		6' x 36" Rail & Baluster Kit—Horizontal	WT0636HRK
» Universal Bottom Rail		6' x 36" Rail & Baluster Kit—Stair	WT0636SRK
» Square Balusters		8' x 36" Rail & Baluster Kit—Horizontal	WT0836HRK
» Baluster Spacers		8' x 36" Rail & Baluster Kit—Stair	WT0836SRK
» Adjustable Foot Block			
» Mounting Hardware			
Available in Classic White only.		[Actual dimensions: 6' Rail: 67.5 in x 36 in (171 cm x 914 mm); 8' Rail: 91.5 in x 36 in (232 cm x 914 mm)]	


XX = COLOR PREFIX:	WT Classic White	FP Fire Pit	RS Rope Swing	VL Vintage Lantern
	BK Charcoal Black	GP Gravel Path	TH Tree House	BZ Bronze (aluminum only)

# Select Railing SKUs

● **Select is a 3-step process. Choose Trex post sleeves, caps and skirts (steps 1 & 2) and a rail & baluster kit (step 3).**

STEP	COMPONENT	DESCRIPTION	ITEM NUMBER
3	<b>Classic White Rail &amp; Baluster Kit</b> » Top Rail » Bottom Rail » Square Balusters » Adjustable Foot Block » Hardware Pack Available in <b>Classic White</b> only.	6' x 36" Rail & Baluster Kit—Horizontal	WT0636HSELK
		6' x 36" Rail & Baluster Kit—Stair	WT0636SSELK
		8' x 36" Rail & Baluster Kit—Horizontal	WT0836HSELK
		8' x 36" Rail & Baluster Kit—Stair	WT0836SSELK
		<i>[Actual dimensions: 6' Rail: 67.5 in x 36 in (171 cm x 914 mm); 8' Rail: 91.5 in x 36 in (232 cm x 914 mm)]</i>	
<b>ACCESSORY</b>	<b>Select Accessories</b>	Mounting Hardware for Cut Rails—Horizontal (10 kits/box) Mounting Hardware for Cut Rails—Stair (10 kits/box) 45 Degree Adapter Kit (10 kits/box)	WTHSEL CUT WTSEL CUT WTSEL45ADP
3	<b>Classic White Rail &amp; Aluminum Baluster Kit</b> » Top Rail » Bottom Rail » Round Aluminum Balusters » Adjustable Foot Block » Hardware Pack Available in <b>Classic White</b> with <b>Charcoal Black Aluminum Balusters</b> only.	6' x 36" Rail & Aluminum Baluster Kit—Horizontal	WTRD0636HSELK
		6' x 36" Rail & Aluminum Baluster Kit—Stair	WTRD0636SSELK
		8' x 36" Rail & Aluminum Baluster Kit—Horizontal	WTRD0836HSELK
		8' x 36" Rail & Aluminum Baluster Kit—Stair	WTRD0836SSELK
		<i>[Actual dimensions: 6' Rail: 67.5 in x 36 in / 42 in (171 cm x 914 mm / 106 cm); 8' Rail: 91.5 in x 36 in / 42 in (232 cm x 914 mm / 106 cm)]</i>	
<b>ACCESSORY</b>	<b>Select Accessories</b>	Mounting Hardware for Cut Rails—Horizontal (10 kits/box) Mounting Hardware for Cut Rails—Stair (10 kits/box)	BKENHZBKT BKENSTBKT

## Aluminum Gates SKUs

COMPONENT	DESCRIPTION	ITEM NUMBER
<b>Gate Rail Kit</b> Available in all <b>Aluminum</b> colors.	36" Rail Height, Square Balusters, Adjustable up to 48" wide opening	XX36SQADJGATE
	36" Rail Height, Round Balusters, Adjustable up to 48" wide opening	XX36RDADJGATE
	42" Rail Height, Square Balusters, Adjustable up to 48" wide opening	XX42SQADJGATE
	42" Rail Height, Round Balusters, Adjustable up to 48" wide opening	XX42RDADJGATE
<i>[Actual height 36" Rail: 36 in (914 mm); 42" Rail: 42 in (106 cm) Actual width is 47.5 in (120 cm) but can be cut to fit any width.]</i>		
<b>Hardware Pack</b> 	2 Adjustable Self-Closing Hinges 1 Locking Hasp With Keys Hardware for attachment to wood post with composite sleeve or aluminum posts	BKGATEHW



## Aluminum ADA Compliant Handrail SKUs

All Trex ADA handrail components are made of powder-coated aluminum. For detailed installation instructions, visit [trex.com](http://trex.com).

COMPONENT	ITEM NUMBER
Corner Mount	XXALADAICORNER
Post Return ("Candy Cane")	XXALADA180CCANE
5 Degree Elbow	XXALADA05ELB
31 Degree Elbow	XXALADA31ELB
34 Degree Elbow	XXALADA34ELB
36 Degree Elbow	XXALADA36ELB
90 Degree Elbow	XXALADA90ELB
Collar	XXALADACL
Rail End Cap	XXALADACAP
90 Degree Wall Return	XXALADA90WR
Wall Mount	XXALADAWMNT
4 in (101 mm) Internal Connector	XXALINTCONN
1.375 in x 8 ft (34 mm x 243 cm) Hand Rail	XXALADARAIL8



XX = COLOR PREFIX:

BK Charcoal Black

BZ Bronze

WT Classic White

Aluminum railing has a textured finish.

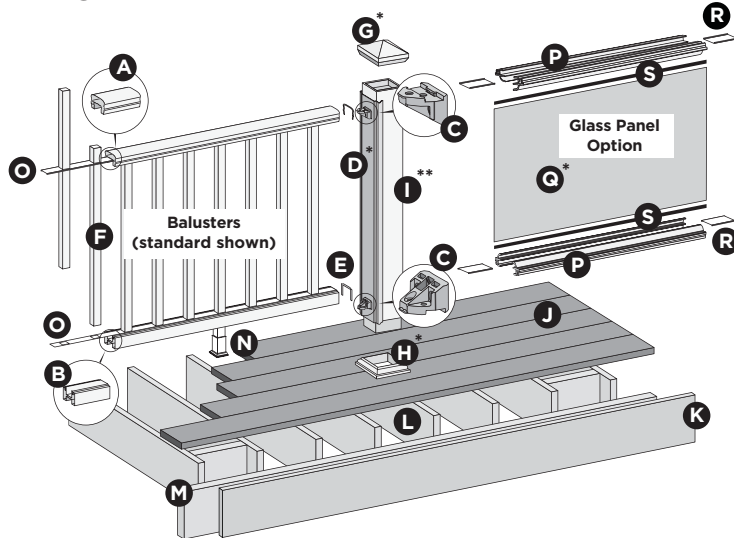
# TREX TRANSCEND RAILING

## NOTES:

» TREX TRANSCEND RAILINGS ARE DESIGNED TO BE INSTALLED OVER THE DECKING FRAME OR ON INSIDE OF RIM JOIST. NOTCHING OF PRESSURE-TREATED POSTS OR POSTS INSTALLED ON OUTSIDE OF RIM JOIST ARE NOT ALLOWED.

» All Trex Transcend railing lengths are manufactured at ON CENTER dimensions (spanning from center of each post): 67-5/8" (1718 mm) for 6' (1.83 m) on center, and 91-5/8" (2353 mm) for 8' (2.44 m) on center. Note that railings are designed to be slightly longer than required to allow for very slight play in post placement – some minimal trimming may be required. IT IS VERY IMPORTANT TO MEASURE FIRST.

## PARTS



- A. Crown or Universal
- B. Universal
- C. Trex railing support bracket (RSB)
- D. TrexExpress™ Railing Assembly Template\*
- E. Rail gaskets
- F. Balusters
- G. Post sleeve cap\*
- H. Post sleeve skirt\*
- I. Post sleeve – 4" x 4" (102 mm x 102 mm) or 6" x 6" (152 mm x 152 mm) post sleeve)\*\*
- J. Trex decking
- K. Trex fascia
- L. Code-approved wood joist – 2" x 8" (51 mm x 203 mm)
- M. Code-approved wood rim joist – 2" x 8" (51 mm x 203 mm) or larger
- N. Adjustable foot block
- O. Baluster spacer

### Trex Transcend Glass Panel Parts List

- P. Panel support molding
- Q. Tempered glass panel\*
- R. Trex panel support molding spacer
- S. Weatherstripping

\* Item not included in the Transcend railing kits.

\*\* Both 4" x 4" (102 mm x 102 mm) and 6" x 6" (152 mm x 152 mm) post sleeves are designed to fit over 4x4 pressure-treated post.

## BALUSTER OPTIONS



**NOTE:** Pictorial representations shown may only show one style of railing, while others may also be used. Review detailed instructions to determine what railing styles and combinations can be used.

## DETERMINING BALUSTERS NEEDED

Baluster Type	Per 6' OC Section	Per 8' OC Section
Square (Horizontal Application)	13	18
Square (Stair Application)	11	15
Round/Square Aluminum (Horizontal Application)	15	20
Round/Square Aluminum (Stair Application)	12	16

**NOTE:** Basic installation for balusters is the same for all options. When using round or square aluminum balusters, use correct baluster spacers.

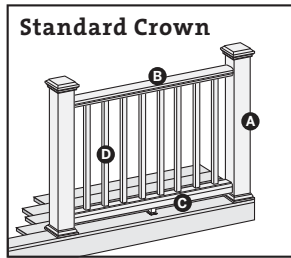
**NOTE:** If installing 42" (1067 mm) railing, use longer posts sleeves and measure accordingly to ensure a proper cut. **DO NOT CUT TO ACTUAL 42" LENGTH WITHOUT CONFIRMING WHAT STYLE OF RAILING YOU ARE INSTALLING.**

**NOTE:** If using post mounts, refer to detailed instructions provided with post mounts for attaching these prior to installation of any railing type.



# TREX TRANSCEND RAILING CONFIGURATIONS

**Note:** See specific installation instructions for attachment of Trex post mounts or Trex Joist Mount Posts prior to installing any railing.



Cutting post sleeves is **NOT** required.

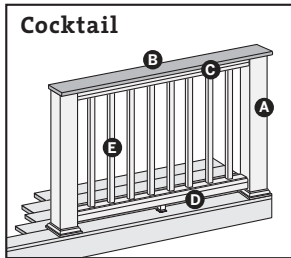
A. Pressure-treated post/Trex post sleeve, Trex post mount/Trex post sleeve\*, or Joist Mount Post/Trex post sleeve\* (INSIDE MOUNT ONLY)

B. Crown rail

C. Universal bottom

D. Trex balusters

See page 59 for "How to Install Standard Railing".



Post sleeves **WILL NEED TO BE CUT**.

A. Pressure-treated post with Trex Transcend post sleeve

**NOTE:** » Only for use with 4" x 4" (102 mm x 102 mm) post sleeve.

» Trex post mounts cannot be used with Transcend cocktail design.

B. Deck board top rail. **NOTE:** Contour and Escapes cannot be used.

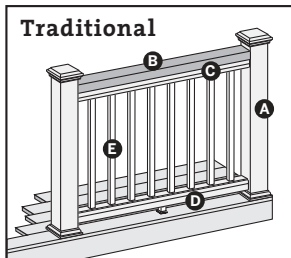
C. Universal top rail

D. Universal bottom

E. Trex balusters

See page 61 for "How to Install Cocktail Railing".

**POST  
SLEEVES  
WILL  
NEED TO  
BE CUT**



Cutting post sleeves is **NOT** required.

A. Pressure-treated post/Trex post sleeve, Trex post mount/Trex post sleeve\*, or Joist mount post/Trex post sleeve\* (INSIDE MOUNT ONLY)

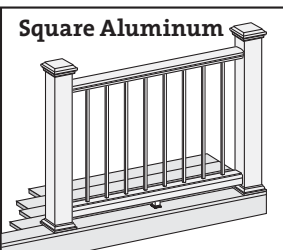
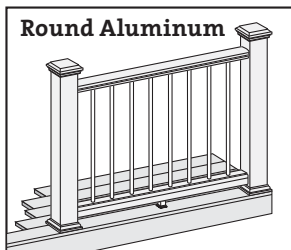
B. 2" x 4" (51 mm x 102 mm) lateral top rail

C. Universal top rail

D. Universal bottom

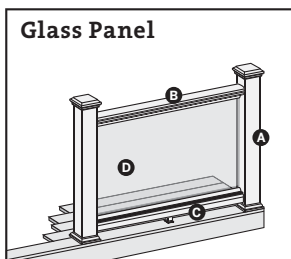
E. Trex balusters

See page 62 for "How to Install Traditional Railing".



» Follow desired railing style instructions found above, substituting correct baluster spacer for type of baluster being used.

» Refer to detailed instructions for added steps when using round and square aluminum balusters. See page 63.



Cutting post sleeves is **NOT** required.

A. Pressure-treated post/Trex post sleeve, Trex post mount/Trex post sleeve\*\*, or Joist mount post/Trex post sleeve\*\* (INSIDE MOUNT ONLY)

B. Crown rail (use universal rail if building cocktail or traditional design with glass inserts)

C. Universal bottom

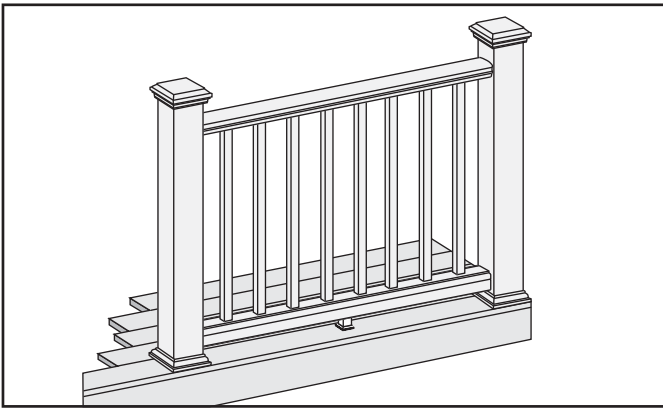
D. Tempered glass panel (**NOT** included in kit)

See page 64 for "How to Install Standard Glass Panel Railing", page 66 for "How to Install Cocktail Style Glass Panel Railing" (\*\***NOTE:** Trex Post Mounts or Trex Joist Mount Posts cannot be used with this railing configuration), and page 67 for "How to Install Traditional Style Glass Panel Railing".

**NOTE:** Glass panels are **NOT** recommended in stair applications.



# HOW TO INSTALL STANDARD RAILING TREX TRANSCEND



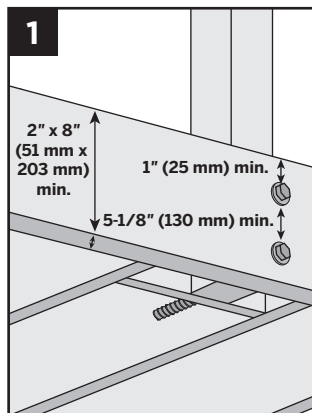
**Read all instructions BEFORE installation.**

**Important:** Post sleeves are **NOT** to be cut for this design style.

## Installing Pressure-Treated Posts

» Posts are to be installed **6' (1.83 m) or 8' (2.44 m) on center to accommodate appropriate railing length.**

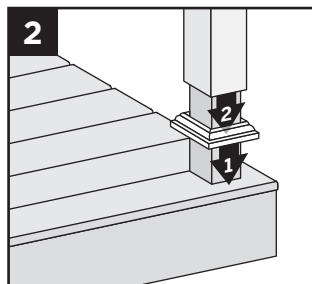
- » Attach posts using 1/2" (130 mm) carriage bolts.
- » Minimum joist size is 2" x 8" (51 mm x 203 mm).
- » Top bolts must be 1" (25 mm) from tops of joists.
- » Bottom bolts must be 5-1/8" (130 mm) from top bolts.



**NOTE:** Blocking can be added for extra strength.

## Installing Post Sleeve Skirts and Post Sleeves

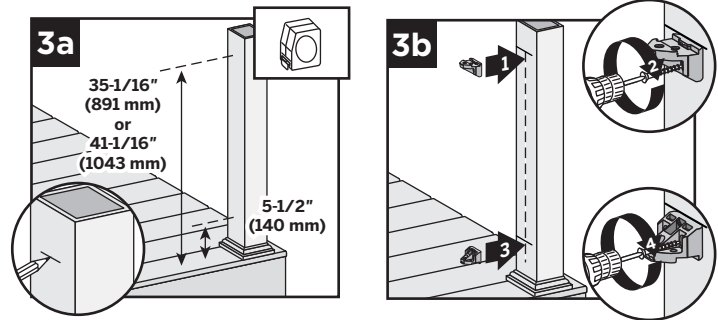
2. Slide post sleeve skirt over post and down to rest on decking surface. Slide post sleeve over post and position inside post sleeve skirt.



**NOTE:** Shims can be used to plumb post sleeves.

## Installing Railing Support Brackets (RSBs)

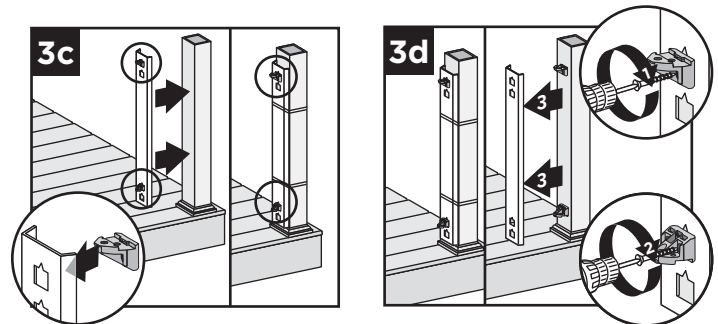
**Option 1:** Without TrexExpress railing template



3a. Mark 5-1/2" (140 mm) and 35-1/16" (891 mm) from deck surface **OR** for 42" (1067 mm) height, mark 5-1/2" (140 mm) and 41-1/16" (1043 mm) from the deck surface.

3b. Place RSBs directly under marks, center on posts, and secure with 2" (51 mm) wood screws (provided with post sleeve). **Place top RSBs flat side UP, bottom RSBs flat side DOWN.**

**Option 2:** With TrexExpress railing template



3c. Place RSBs in template. **Place top RSBs flat side UP, bottom RSBs flat side DOWN.** Secure template on post with tape or rubber band, with bottom of template resting on post skirt.

3d. Secure RSBs with 2" (51 mm) wood screws (provided in railing kit) and remove template.

**NOTES:** Special steps are necessary when using 6" x 6" (152 mm x 152 mm) plastic TrexExpress template.

- » Cut off 1/2" (13 mm) from the bottom (blue arrows up) of the tool **BEFORE** first use.
- » Position top RSBs **ONLY**, 6" (152 mm) higher for 42" (1067 mm) rail height.
- » Secure RSBs with 2-1/2" (64 mm) wood screws (provided with post sleeve) and remove template.



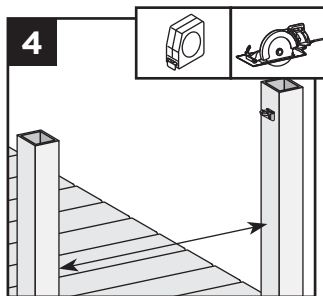


# HOW TO INSTALL STANDARD RAILING/CONTINUED

## TREX TRANSCEND

### Cutting Railings

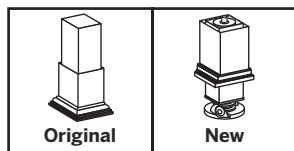
4. Measure between posts and cut rails to same length.



### NOTES:

- » If using optional rail gaskets, subtract 1/16" (1.6 mm) from each end.
- » Attach baluster spacers to railing before cutting to allow for cleaner cut and less work.
- » When measuring, cut equal lengths from each side of railing and baluster spacer to ensure equal spacing of balusters per each railing section.
- » In some cases, the gasket can be attached before tightening railing to RSB.
- » If gaskets are tight, use a small flat head screwdriver to compress the tabs of the gasket if they are stuck outside the rail.

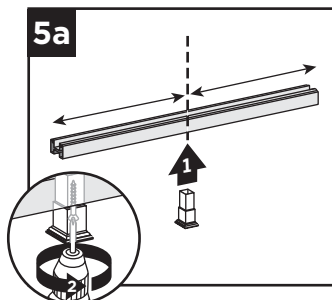
### IMPORTANT NOTE REGARDING FOOT BLOCK INSTALLATION:



- » Determine which style of foot block is included. Original foot block is a one-piece part that is adjustable. New foot block is a two-piece part with turning base mount.
- » Also refer to detailed instructions (Trex Transcend® rail instructions) included with foot block prior to installation of railing section as these include other required steps for proper installation.

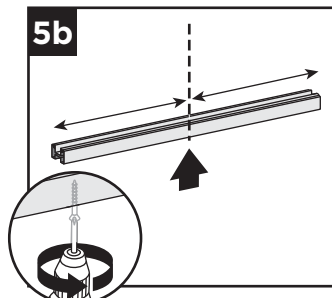
### If Attaching Original Foot Block to Bottom Rail

5a. Center foot block in universal rail channel and attach per Original foot block instructions. **DO NOT** extend foot block.

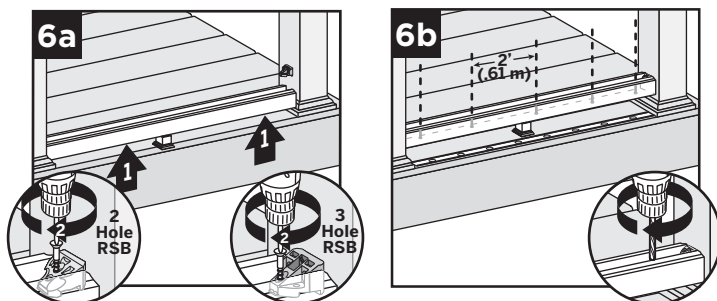


### If Attaching New Foot Block to Bottom Rail

5b. Invert the bottom rail. Center and drill a hole using a 3/16" drill bit. This will be location for foot block attachment (to be installed last).



### Attaching Bottom Rail (Universal Rail), Adding Weep Holes

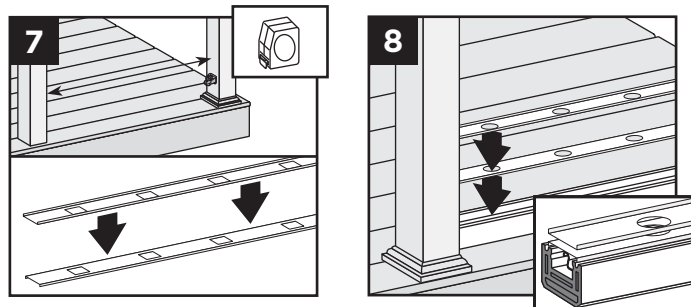


6a. Lift bottom rail so RSBs are in the channel and attach with three self-tapping screws provided (use three outer holes; do not use hole in RSB that is closest to post). If two hole bracket is included, attach with two self-tapping holes (provided).

6b. Center and drill 5/16" (8 mm) weep holes through bottom rail channel to allow for water drainage. Holes should be placed between first two balusters on each side and approx. 2' (61 mm) spans along length of rail.

**Note:** To determine weep hole locations, temporarily place lower baluster spacer beside lower rail and mark inside of channel in locations accordingly.

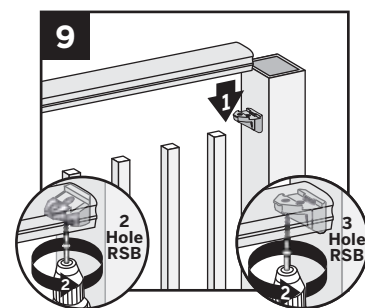
### Placing Baluster Spacers and Balusters



7. Cut baluster spacers the same length as rails, equally spaced so holes line up.
8. Snap baluster spacer into bottom rail. Place inverted baluster spacer on top of first baluster spacer. Place balusters in baluster spacer holes.

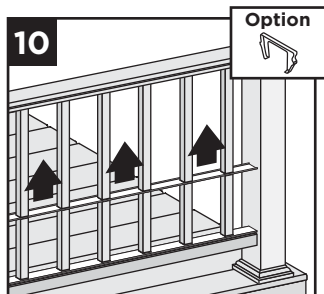
### Attaching Top Rail – Crown Rail

9. Place crown rail on RSBs with balusters in rail channels. Attach top rail to RSB with three self-tapping screws provided (use three outer holes; do not use hole in RSB that is closest to post). If two hole bracket is included, attach with two self-tapping holes (provided).



## HOW TO INSTALL STANDARD RAILING/CONTINUED TREX TRANSCEND

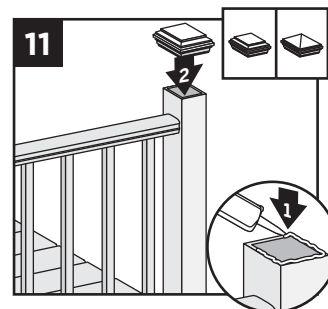
10. Slide baluster spacer up and snap into top rail. Place optional top rail gaskets on each end of rail.



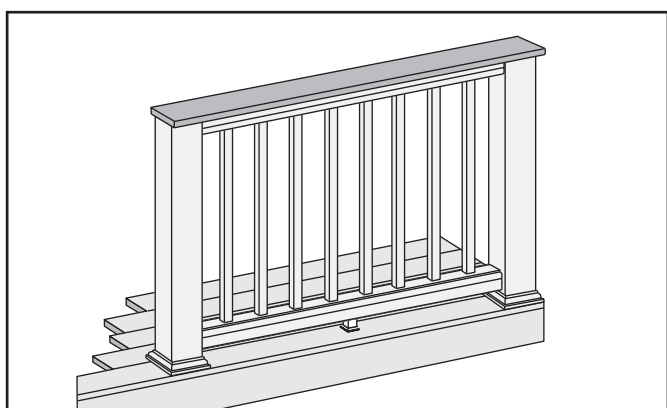
### Attaching Post Caps and Installing New Foot Blocks

11. Secure post caps with silicone or PVC adhesive. Attach New foot block per foot block instructions.

**Note:** Clean-up any excess adhesive before drying.



## HOW TO INSTALL COCKTAIL RAILING TREX TRANSCEND



**Important:** **ONLY** use with 4" x 4" (102 mm x 102 mm) post and post sleeve. Cutting post and post sleeve **ONLY** apply to the Transcend Cocktail railing.

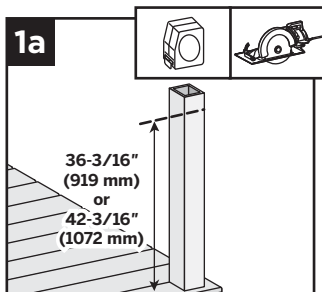
### 1. Installing Pressure-Treated Posts

See instructions on page 59.

### Cutting Post and Post Sleeve

- 1a. Mark and cut post and post sleeve measuring from deck surface:

- » 36-3/16" (919 mm) for 36" (914 mm) height.
- » 42-3/16" (1072 mm) for 42" (1067 mm) height.



### 2. Installing Post Sleeve Skirts and Post Sleeves

See instructions on page 59.

### 3. Installing Railing Support Brackets (RSBs)

See instructions on page 59.

### 4. Cutting Railings

See instructions on page 60.

### 5. Attaching Foot Block

See instructions on page 60.

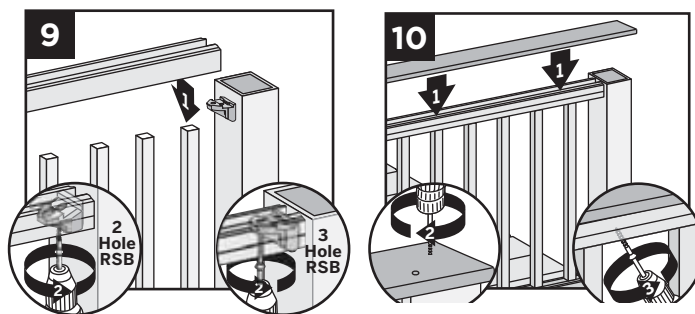
### 6. Attaching Bottom Rail (Universal Rail), Adding Weep Holes.

See instructions on page 60.

### 7-8. Placing Baluster Spacers and Balusters

See instructions on page 60.

### Attaching Inverted Universal Rail as Top Rail



9. Place inverted universal rail onto RSBs with balusters in channel. Attach universal rail to RSBs with three self-tapping screws provided (use three outer holes; do not use hole in RSB that is closest to post). If two hole bracket is included, attach with two self-tapping holes (provided).

10. Place deck boards (**DO NOT** use Escapes deck boards for top rail) over universal rails. Attach boards on each post with Trex-recommended composite screws (quantity of 2 per each board end). Secure boards to

## HOW TO INSTALL COCKTAIL RAILING/CONTINUED TREX TRANSCEND

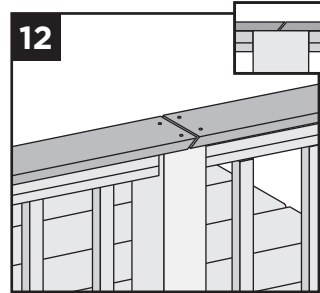
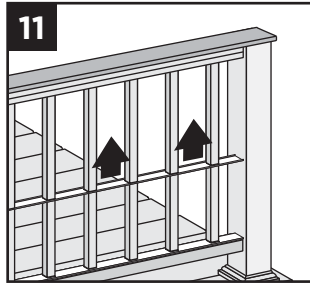
universal rails from underside of railing into bottom of decking board, with 2" (51 mm) pan-head screws (*not provided*) at an angle every 16" (406 mm) on center.

### IMPORTANT NOTES:

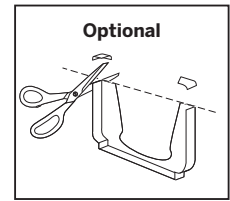
- » If using Select decking, **USE** maximum length 1-3/4" (44 mm) screw and **NOT** 2" (51 mm) screw.
- » Screws that are used for attachment of decking board to railing **MUST** be attached at angle to prevent screw from penetrating through the top of decking board.

11. Slide baluster spacers up and snap into universal rails.

**NOTE:** If necessary, cut tips off rail gaskets prior to installation.



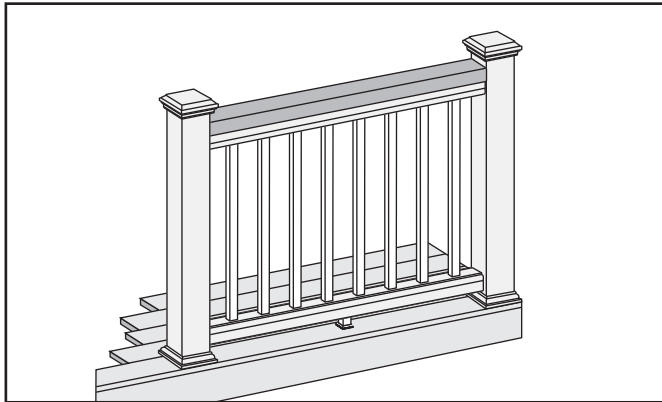
12. Use scarf cut for posts where two deck boards meet.



### NOTES:

- » If installing in weather below 40°F (4.5°C), leave 1/8" (3 mm) gap between deck boards.
- » Deck boards can overhang end of last post maximum 1/2" (13 mm).

## HOW TO INSTALL TRADITIONAL RAILING TREX TRANSCEND



1. **Installing Pressure-Treated Posts**  
See instructions on page 59.
2. **Installing Post Sleeve Skirts and Post Sleeves**  
See instructions on page 59.
3. **Installing Railing Support Brackets (RSBs)**  
See instructions on page 59.
4. **Cutting Railings**  
See instructions on page 60.

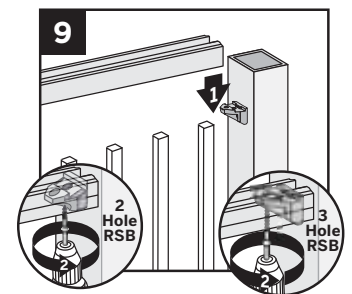
5. **Attaching Foot Block**  
See instructions on page 60.

6. **Attaching Bottom Rail (Universal Rail), Adding Weep Holes**  
See instructions on page 60.

- 7-8. **Placing Baluster Spacers and Balusters**  
See instructions on page 60.

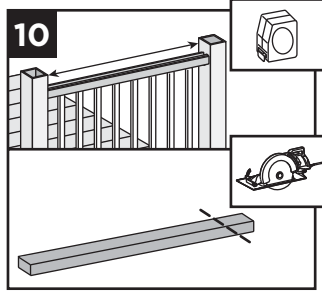
### Attaching Inverted Universal Rail as Top Rail

9. Place inverted universal rail onto RSBs with balusters in channel. Attach universal rail with three self-tapping screws provided (use three outer holes; do not use hole in RSB that is closest to post). If two hole bracket is included, attach with two self-tapping holes (provided).

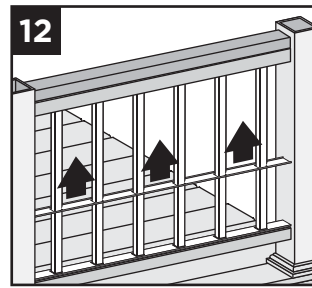
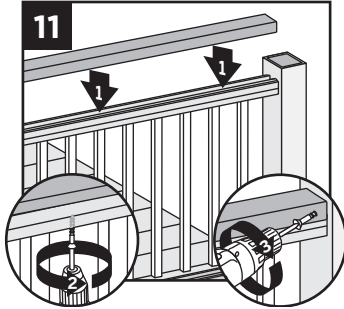


## HOW TO INSTALL TRADITIONAL RAILING/CONTINUED TREX TRANSCEND

10. Measure between posts and cut 2" x 4" (51 mm x 102 mm) to length. Place 2" x 4" (51 mm x 102 mm) on universal rail. Attach board to rail with 2" (51 mm) pan-head screws (not provided) every 16" (406 mm) on center.



11. Pre-drill a pilot hole and toenail 2-1/2" (64 mm) composite decking screw (not provided) at each end of 2" x 4" (51 mm x 102 mm) into post on back side of rail (side not facing decking).

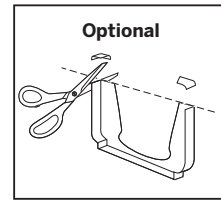


12. Slide baluster spacer up and snap into universal rail.

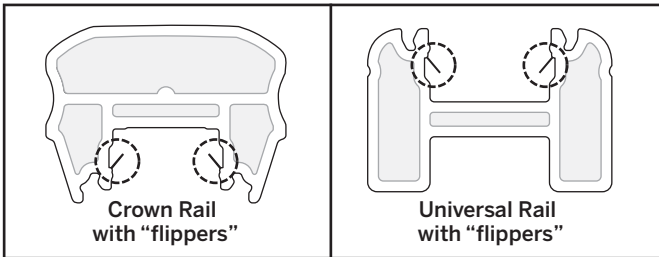
**NOTE:** If necessary, cut tips off rail gaskets prior to installation.

13. **Attaching Post Caps and Installing New Foot Block**

See instructions on page 61.



## HOW TO INSTALL ROUND OR SQUARE ALUMINUM BALUSTERS TREX TRANSCEND



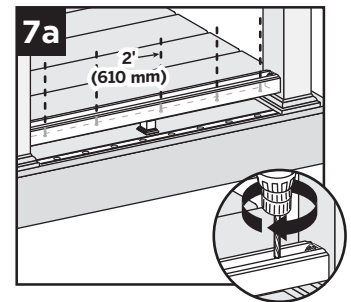
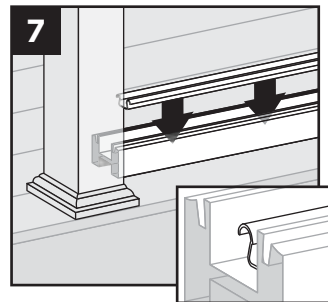
**NOTE:** Older style Crown and Universal Rails have "flippers" on the inside of the channels. Using **EXTREME CAUTION**, remove/cut these flippers on each side to allow for the fit of the aluminum baluster adaptor strip.

- Installing Pressure-Treated Posts**  
See instructions on page 59.
- Installing Post Sleeve Skirts and Post Sleeves**  
See instructions on page 59.
- Installing Railing Support Brackets (RSBs)**  
See instructions on page 59.
- Cutting Railings**  
See instructions on page 60.
- Attaching Foot Block**  
See instructions on page 60.

6. **Attaching Bottom Rail (Universal Rail)**

See instructions on page 60.

### Installing Aluminum Baluster Adaptor Strip, Adding Weep Holes, and Baluster Spacers



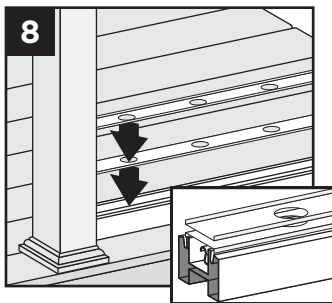
7. After bottom rail is fully installed, place aluminum baluster adaptor strip into channel of bottom rail, ensuring that it's fully seated into the channel. When rail lengths are non-standard, the baluster adaptor strip will need to be cut 2-1/2" (64 mm) shorter than the rail to allow clearance for the RSB's on each end.
- 7a. Center and drill 5/16" (8 mm) weep holes through bottom rail channel and adaptor strip to allow for water drainage. Holes should be placed between first two balusters on each side and approx. 2' (610 mm) spans along length of rail.

**NOTE:** Construction methods are always improving. Please refer to [www.trex.com](http://www.trex.com) for the most up-to-date installation requirements.

## HOW TO INSTALL ROUND OR SQUARE ALUMINUM BALUSTERS/*CONTINUED* TREX TRANSCEND

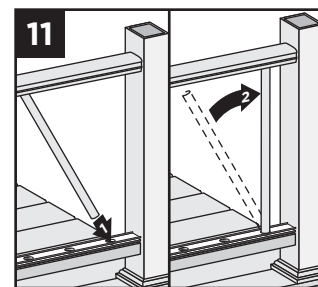
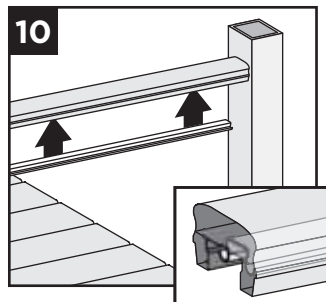
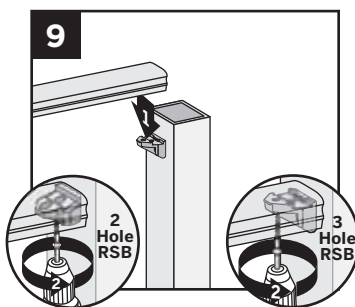
**NOTE:** To determine weep hole locations, temporarily place lower baluster spacer beside lower rail and mark inside of channel in locations accordingly.

8. Snap baluster spacer into bottom rail. Place inverted baluster spacer on top of first baluster spacer.



### Attaching Top Rail, Aluminum Baluster Adaptor Strip, and Balusters and Bottom Baluster Spacer

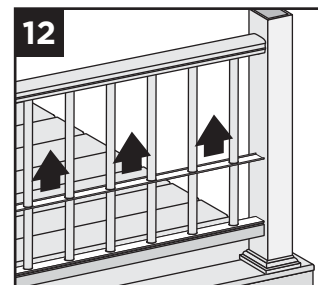
9. Place crown or rail on RSBs with balusters in rail channels. Attach top rail to RSB with three self-tapping screws provided (use three outer holes; do not use hole in RSB that is closest to post). If two hole bracket is included, attach with two self-tapping holes (provided).



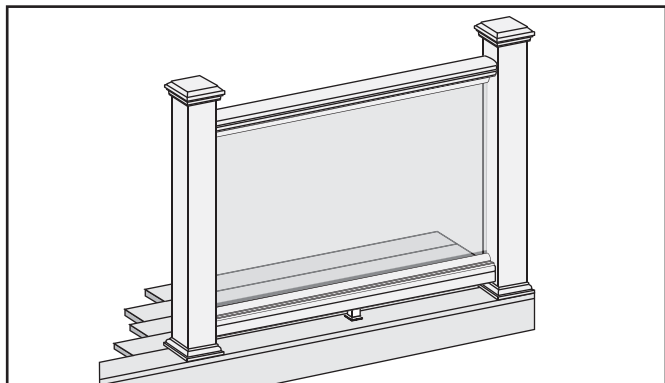
10. After top rail is fully installed, place aluminum baluster adaptor strip into channel of top rail, ensuring that it's fully seated into the channel.
11. Working at slight angle, press baluster through both baluster spacers and into bottom aluminum baluster adaptor strip, ensuring balusters are tight. Once balusters are seated into aluminum baluster adaptor strip of bottom rail, maneuver baluster into upper rail aluminum baluster adaptor strip. Some force will be needed to press balusters into place and level these.

**Tip:** Ensure balusters are level prior to attempting to slide baluster spacer up. This will allow for the baluster spacer to move up freely and snap into upper rail. Use of a rubber mallet to gently tap balusters in level is recommended.

12. Slide baluster spacer up and snap into top rail. Place optional top rail gaskets on each end of rail.



## HOW TO INSTALL STANDARD GLASS PANEL RAILING TREX TRANSCEND



**NOTES: Read all instructions BEFORE installation.**

- » You must purchase the 1/4" (6 mm) tempered glass panels. See dimensions below.
- » Glass panels **ONLY** for use with maximum 6' (1.83 m) on center post spacing.
- » **NOT** recommended for stair applications.



# HOW TO INSTALL STANDARD GLASS PANEL RAILING/CONTINUED

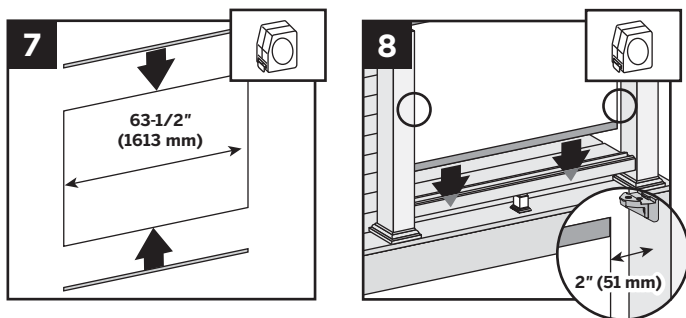
## TREX TRANSCEND

### TEMPERED GLASS PANEL DIMENSIONS

- » **36" (914 mm) high rail:**  
1/4" x 30" x 63-1/2" max.  
(6 mm x 762 mm x 1613 mm)
- » **42" (1067 mm) high rail:**  
1/4" x 36" x 63-1/2" max.  
(6 mm x 914 mm x 1613 mm)

1. **Installing Pressure-Treated Posts**  
*See instructions on page 59.*
2. **Installing Post Sleeve Skirts and Post Sleeves**  
*See instructions on page 59.*
3. **Installing Railing Support Brackets (RSBs)**  
*See instructions on page 59.*
4. **Cutting Railings**  
*See instructions on page 60.*
5. **Attaching Foot Block**  
*See instructions on page 60.*
6. **Attaching Bottom Rail (Universal Rail), Adding Weep Holes**  
*See instructions on page 60.*

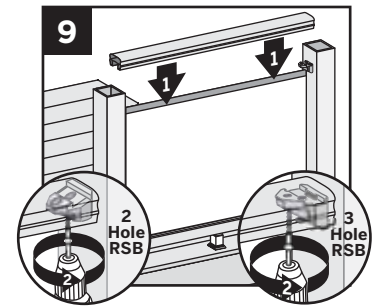
### Attaching Weatherstripping and Positioning Panel



7. Push black-edged trim onto upper and lower edges of panel. Be sure trim runs entire length of glass. Extra trim can be cut with razor blade or scissors.
8. Position panel with weatherstripping into lower rail channel. Center panel between posts with about 2" (51 mm) of air space on each side of panel.

### Attaching Top (Crown) Rail

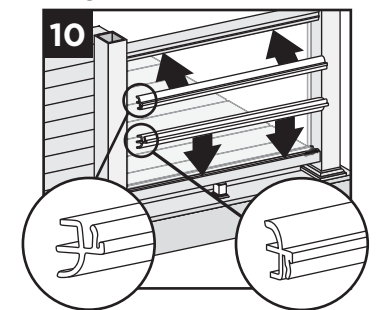
9. Place top rail over RSB brackets and glass panel. Attach top rail to RSB with three self-tapping screws provided (use three outer holes; do not use hole in RSB that is closest to post). If two hole bracket is included, attach with two self-tapping holes (provided).



**NOTE:** Avoid hitting glass panel while using the drill.

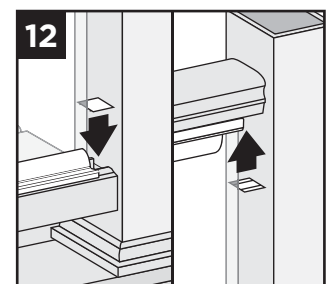
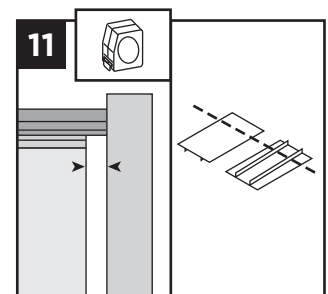
### Attaching Panel Support Molding

10. Push PSM into rail to complete snap connection. Lower rail PSM edge rests on top of rail. Top rail PSM snaps flush into rail.



### Hiding Brackets

11. Cut Transcend baluster spacer into four lengths equal to distance between the glass panel and posts. Cut slowly and one at a time, to avoid chipping.
12. Snap spacer into bottom and top rail to hide brackets and create a seamless look.

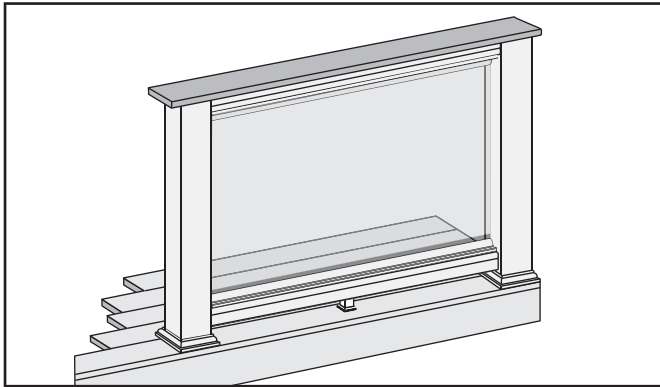


### 13. Attaching Post Caps and Installing New Foot Blocks

*See instructions on page 61.*

# HOW TO INSTALL COCKTAIL STYLE GLASS PANEL RAILING

## TREX TRANSCEND



### NOTES: Read all instructions BEFORE installation.

- » You must purchase the 1/4" (6 mm) tempered glass panels. See dimensions below.
- » Glass panels **ONLY** for use with maximum 6' (1.83 m) on center post spacing.
- » **NOT** recommended for stair applications.
- » Trex post mounts cannot be used for this application.

### TEMPERED GLASS PANEL DIMENSIONS

- » **36" (914 mm) high rail:**  
1/4" x 30" x 63-1/2" max.  
(6 mm x 762 mm x 1613 mm)
- » **42" (1067 mm) high rail:**  
1/4" x 36" x 63-1/2" max.  
(6 mm x 914 mm x 1613 mm)

### 1. Installing Pressure-Treated Posts

See instructions on page 59.

**NOTE:** If installing glass with cocktail rail design, rail posts and post sleeves must be cut.

#### 1a. Cutting Post and Post Sleeve

See instructions on page 59.

### 2. Installing Post Sleeve Skirts and Post Sleeves

See instructions on page 59.

### 3. Installing Railing Support Brackets (RSBs)

See instructions on page 59.

### 4. Cutting Railings

See instructions on page 60.

### 5. Attaching Foot Block

See instructions on page 60.

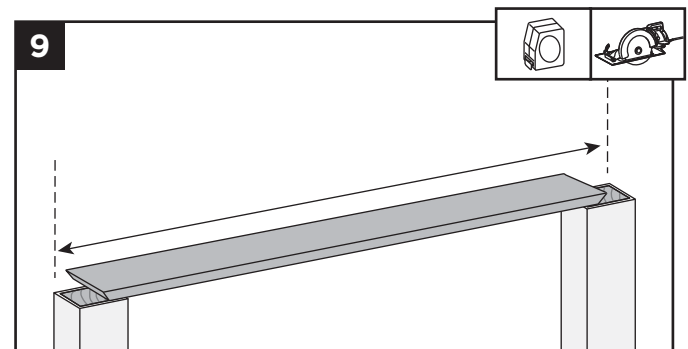
### 6. Attaching Bottom Rail (Universal Rail), Adding Weep Holes

See instructions on page 60.

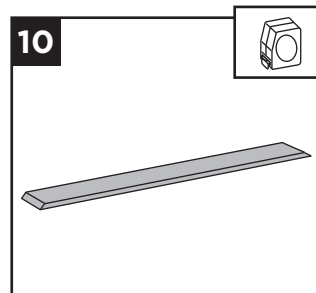
### 7-8. Attaching Weatherstripping and Positioning Panel

See instructions on page 65.

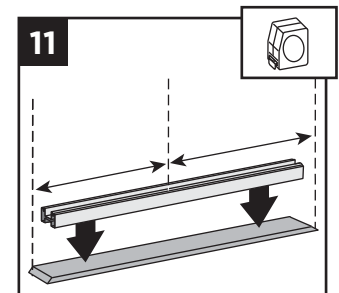
### Attaching Top Rail



9. Cut deck boards to appropriate length of railing span, remembering to include extra space on each side of the deck board to allow for attachment to the post. Decking boards must cover 1/2 of the pressure-treated post to allow this to be fastened later. If you include extra decking material on each side this can be cut off later if need be.



10. Place inverted deck board (place top side of deck board down) on clean, flat surface. (**DO NOT** use Escapes deck boards for top rail.)

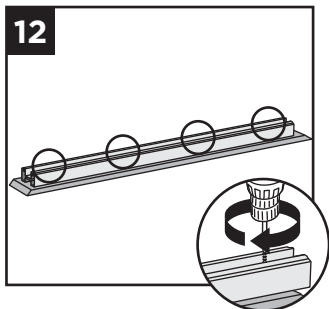


11. Place Universal rail (orient this properly so when flipped over, the universal rail will accept the baluster spacer and balusters), on the deck board, centered in both directions to allow final attachment to post.

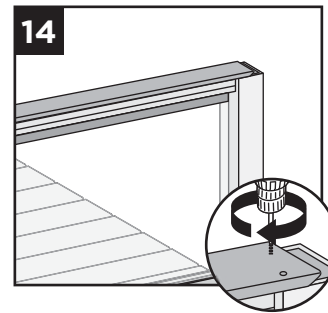


## HOW TO ATTACH COCKTAIL STYLE GLASS PANEL RAILING/CONTINUED TREX TRANSCEND

12. Secure deck board to Universal rail with 2" (51 mm) pan head screws (not provided) approximately every 16" (406 mm) on center at an angle. (**DO NOT** overtighten. Attach from underside of railing into bottom of decking board.)



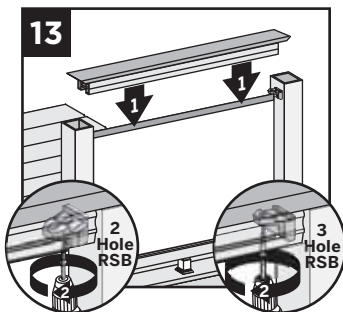
14. Attach deck board to post (ensure that screws are attached to wood post) with Trex recommended composite screws (quantity of 2 per each board end).



### IMPORTANT NOTES:

- » If using Select decking, **USE** maximum length 1-3/4" (45 mm) screw and **NOT** 2" (51 mm) screw.
- » Screws that are used for attachment of decking board to railing **MUST** be attached at angle to prevent screw from penetrating through top of decking board.

13. Place inverted Universal rail with deck board attached onto RSB's with glass panel in the channel. Attach Universal rail to RSB's with three self-tapping screws provided (use three outer holes; do not use hole in RSB that is closest to post). If two hole bracket is included, attach with two self-tapping holes (provided).

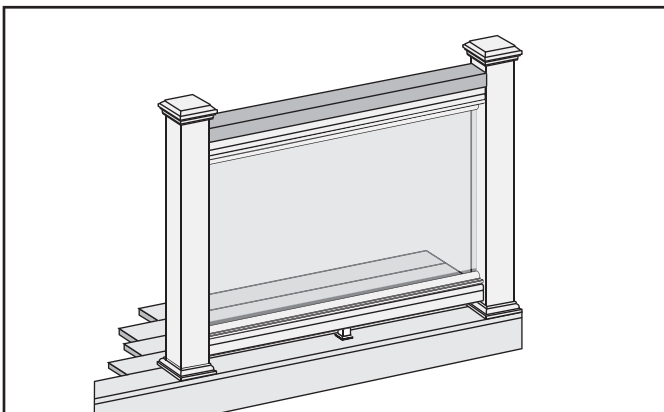


### 15. Attaching Panel Support Moldings

See instructions on page 65.

16-17. **Hiding Brackets** See instructions on page 65.

## HOW TO ATTACH TRADITIONAL STYLE GLASS PANEL RAILING TREX TRANSCEND



### NOTES: Read all instructions BEFORE installation.

- » You must purchase the 1/4" (6 mm) tempered glass panels. See dimensions below.
- » Glass panels **ONLY** for use with maximum 6' (1.83 m) on center post spacing.
- » **NOT** recommended for stair applications.

### TEMPERED GLASS PANEL DIMENSIONS

- » **36" (914 mm) high rail:**  
1/4" x 30" x 63-1/2" max.  
(6 mm x 762 mm x 1613 mm)
- » **42" (1067 mm) high rail:**  
1/4" x 36" x 63-1/2" max.  
(6 mm x 914 mm x 1613 mm)



# HOW TO ATTACH TRADITIONAL STYLE GLASS PANEL RAILING/*CONTINUED* TREX TRANSCEND

**1. Installing Pressure-Treated Posts**

See instructions on page 59.

**2. Installing Post Sleeve Skirts and Post Sleeves**

See instructions on page 59.

**3. Installing Railing Support Brackets (RSBs)**

See instructions on page 59.

**4. Cutting Railings**

See instructions on page 60.

**5. Attaching Foot Block**

See instructions on page 60.

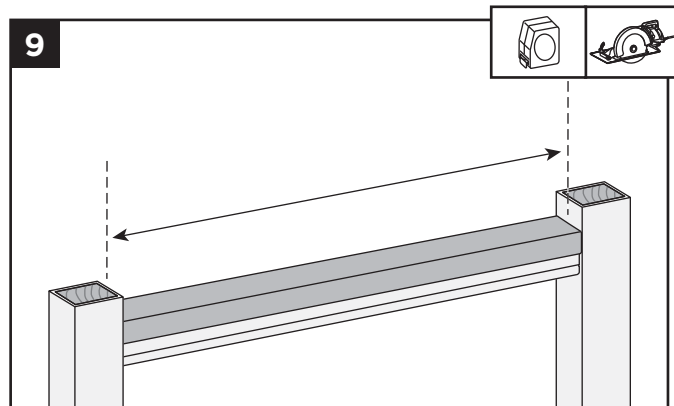
**6. Attaching Bottom Rail (Universal Rail), Adding Weep Holes**

See instructions on page 60.

**7-8. Attaching Weatherstripping and Positioning Panel**

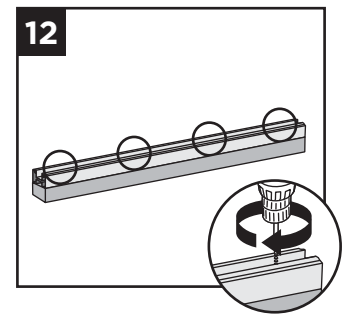
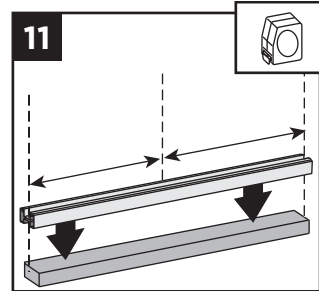
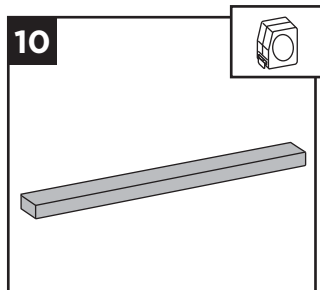
See instructions on page 65.

**Attaching Top Rail**

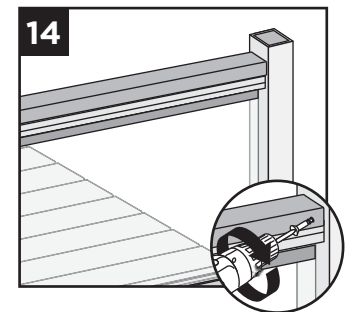
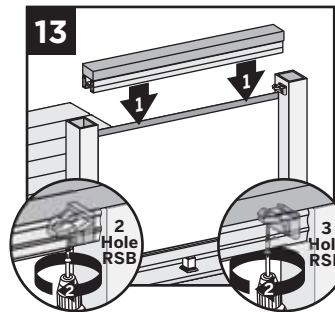


9. Cut 2" x 4" (51 mm x 102 mm) to same length of the inverted Universal rail.

10. Place inverted 2" x 4" (51 mm x 102 mm) (place top side down) on clean, flat surface.



- 11. Place Universal rail (remembering to orient this properly so that when flipped over, the Universal rail will accept the baluster spacer and balusters), on the 2" x 4" (51 mm x 102 mm), centered.
- 12. Secure 2" x 4" (51 mm x 102 mm) to Universal rail with 2" (51 mm) pan head screws (*not provided*) approximately every 16" (406 mm) on center.



- 13. Place inverted Universal rail with 2" x 4" (51 mm x 102 mm) attached onto RSB's with glass panel in the channel. Attach Universal rail to RSB's with three self-tapping screws provided (use three outer holes; do not use hole in RSB that is closest to post). If two hole bracket is included, attach with two self-tapping holes (provided).
- 14. Pre-drill a pilot hole and toenail 2-1/2" (64 mm) composite deck screw (*not provided*) at each end of the 2" x 4" (51 mm x 102 mm) into post on back side (side not facing decking).

**15. Attaching Panel Support Moldings**

See instructions on page 65.

**16-17. Hiding Brackets**

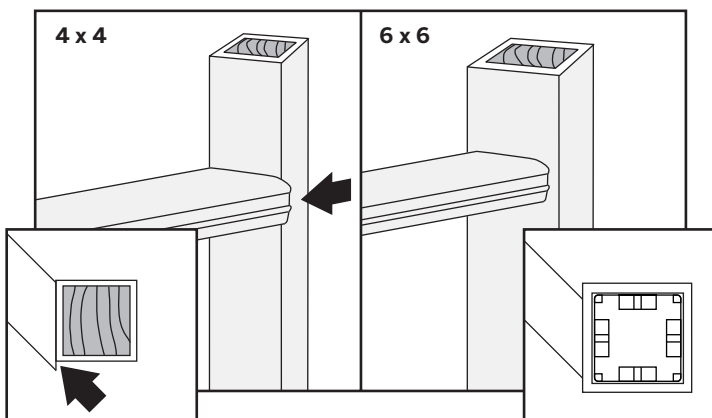
See instructions on page 65.

**18. Attaching Post Caps and Installing New Foot Block**

See instructions on page 61.

## HOW TO INSTALL ON-AN-ANGLE RAILING TREX TRANSCEND (CROWN AND UNIVERSAL RAILING)

**NOTE:** Trex railing brackets are designed to be installed up to a 45° angle.



- » **Small angles** (1° - 30°). Both 4" x 4" (102 mm x 102 mm) or 6" x 6" (152 mm x 152 mm) post sleeves work well.
- » **Large angles** (31° - 45°). **USE ONLY** 6" x 6" (152 mm x 152 mm) post sleeves when installing on flat side.
- » **45° angles** using 4" x 4" (102 mm x 102 mm) post sleeves **MUST** use Transcend Bird's Mouth brackets.

**NOTE:** Railing will be installed on corner of posts.

- » Using 6" x 6" (152 mm x 152 mm) post sleeves at 45° angles. Brackets are installed off-center and use 45° Transcend gaskets.
- » Railing gaskets are designed to fit at 0°, 22.5°, and 45° angles. Gaskets are labeled with appropriate angle dimension.

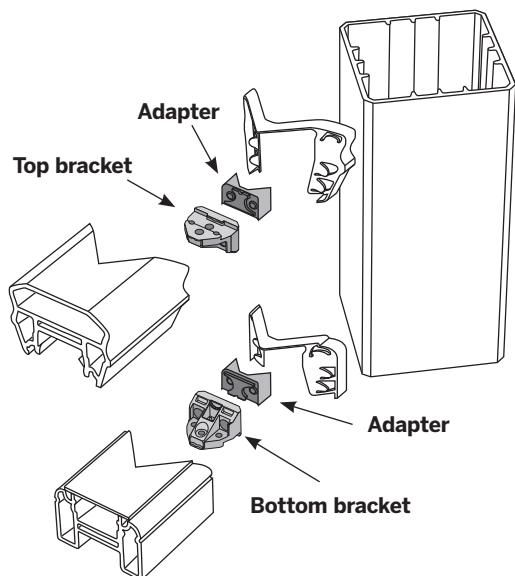
## HOW TO INSTALL CROWN AND UNIVERSAL BIRD'S MOUTH RAILING TREX TRANSCEND

### NOTES:

- » Use with 4" x 4" (102 mm x 102 mm) post sleeve **ONLY**.
- » Gaskets are only designed for use with Transcend Crown and Universal Railing.

**Read all instructions BEFORE installation.**

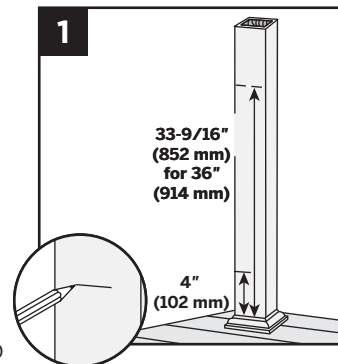
### PARTS



### Mark Posts

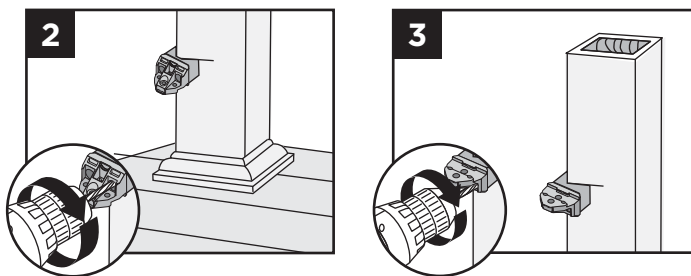
1. Measure and mark 4" (102 mm) and 33-9/16" (852 mm) up from top of post skirt.

**NOTE:** Without skirt, add 1-1/2" (38 mm) to measurements.



**Attaching Adapters** Snap adapters into RSBs.

### Pre-drill Bottom and Top RSBs



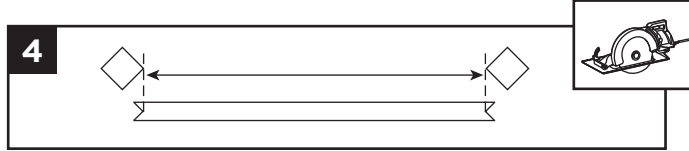
2. Position RSBs with adapter (**flat side DOWN**) for lower rail, mark and pre-drill screw holes with 1/8" (3 mm) drill bit on post.
3. Position RSBs with adapter (**flat side UP**) for top rail, mark and pre-drill screw holes with 1/8" (3 mm) drill bit on post.



# HOW TO INSTALL CROWN AND UNIVERSAL BIRD'S MOUTH RAILING/CONTINUED

## TREX TRANSCEND

### Measuring and Cutting Rails

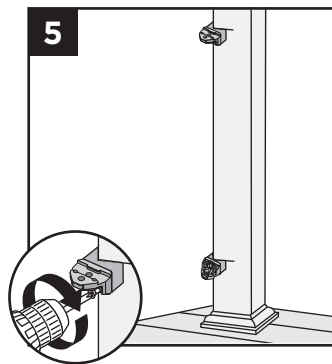


4. Measure from corner-to-corner between posts. Mark 45° cuts on rails with template on assembly tool. Center of "V's" is the distance from corner-to-corner for posts.

**NOTE:** Subtract 1/16" (1.6 mm) from each end to accommodate rail gaskets.

### Attaching Top and Bottom RSBs

5. Attach RSBs with adapters to posts with wood screws (provided).

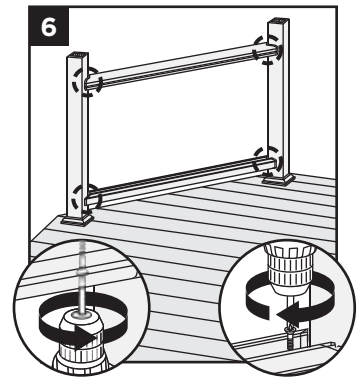


#### NOTES:

- » Drill at slight inward angle to drill holes on marks.
- » Lay cut lower rail into position on decking surface between the posts before attaching the lower RSB. There may be some difficulty attaching the lower rail if you fail to do this.

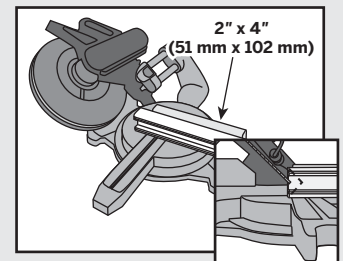
### Installing Railings to RSB's

6. Attach with self-tapping screws (provided).



### Using Miter Box Saw to Cut Rails

1. Place 2" x 4" (51 mm x 102 mm) on edge behind the rail to allow for complete cut.
2. Angle blade to 45°.
3. Set stop on saw so blade travels half the depth of rails. Several test cuts can be made on scrap material to accurately set the stop.
4. "V" cut both sides of the rail.



**NOTE:** Transcend's Crown and Universal Rails will require different stop settings.

# HOW TO INSTALL CROWN AND UNIVERSAL STAIR RAILING

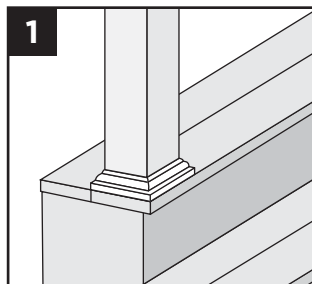
## TREX TRANSCEND

Read all instructions BEFORE installation.

**NOTE:** All Transcend railings and gaskets work **ONLY WITH STAIR SLOPES OF 32°-37°.**

### Installing Posts, Post Sleeve Skirts, and Post Sleeves for Stair Rails

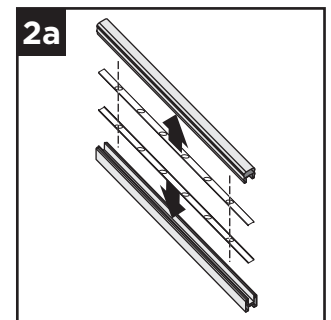
1. Install posts, post sleeve skirts, and post sleeves according to standard Transcend railing instructions. See page 59.



- » In most cases, a post and post sleeve longer than 39" (991 mm) will be needed on the lower section of stair rail to accommodate stair angle.
- » Make sure top and bottom posts for stairs are installed at nose of each tread.

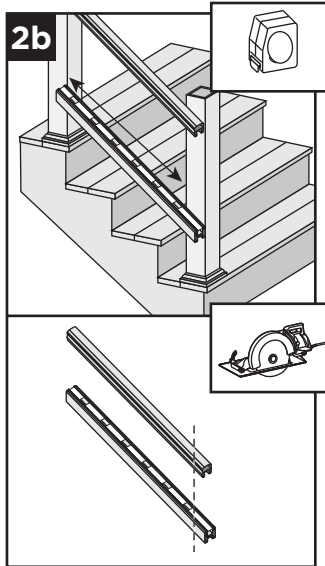
### Measuring and Cutting Railings

- 2a. Snap baluster spacers into top and bottom railings, ensuring the baluster spacer holes line up parallel.



# HOW TO INSTALL CROWN AND UNIVERSAL STAIR RAILING/CONTINUED TREX TRANSCEND

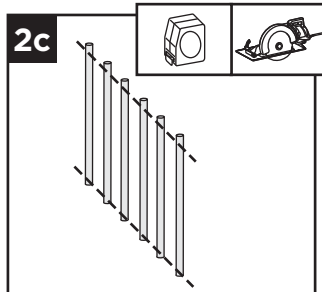
2b. Set bottom and top rail along the nose of the stair treads, ensuring baluster holes are placed evenly. Also allow for a minimum of 1 1/2" at each end of rail for bracket placement and baluster clearance. Cut rails on marks.



### NOTES:

- » If using railing gaskets, subtract 1/16" (1.6 mm) maximum, from each end and cut.
- » **CUT VERY CAREFULLY TO NOT BREAK BALUSTER SPACERS.**

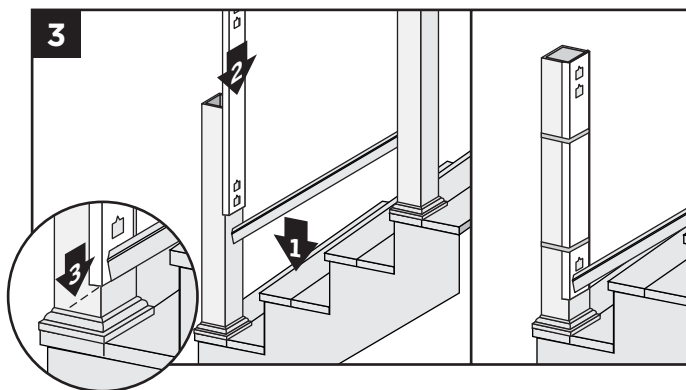
### Cutting Balusters on Angle (OPTIONAL)



2c. In order for balusters to seat properly (depending on the angle of the stair railing), the balusters may need to be trimmed to match the angle of the bottom and top railing.

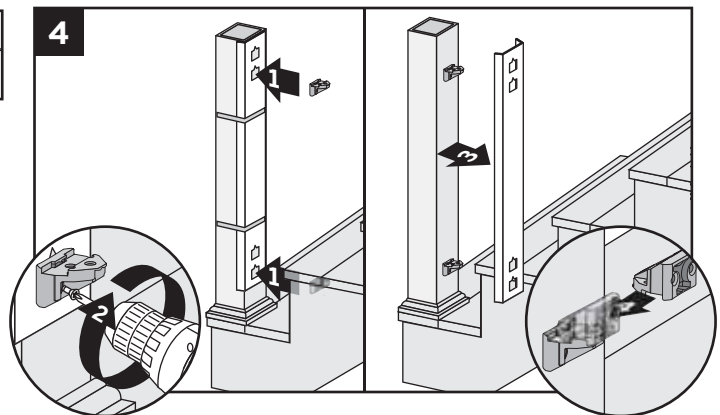
2d. Carefully remove baluster spacers from rails.

### Positioning RSBs on BOTTOM Post



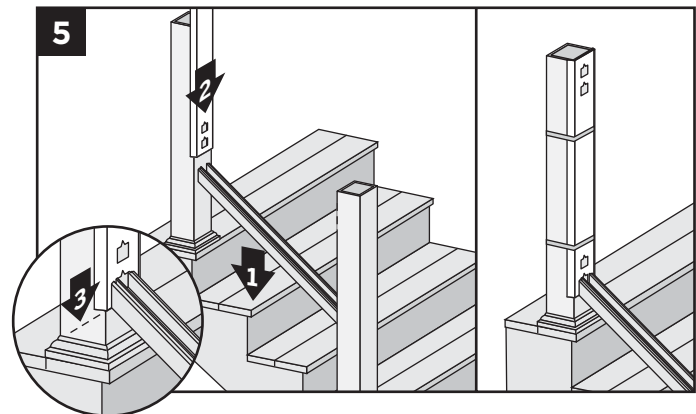
3. Position bottom rail between posts and slide TrexExpress™ railing assembly template into position with bottom rail outline on template aligned with end of bottom rail. Allow a minimum clearance of 1" (25 mm) from stair tread. Secure template with rubber bands. Remove rail.

### Attaching RSBs to BOTTOM Post



4. Attach upper and lower RSBs to bottom post, **flat side UP**, with wood screws provided. Remove template and place a second RSB, turned upside down, and interlock on each bracket.

### Positioning RSBs on UPPER Post

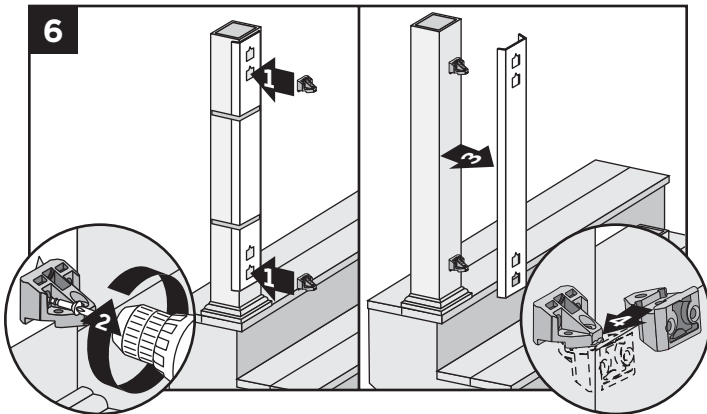


5. Position pre-cut bottom rail between posts. Slide TrexExpress™ railing assembly template into position, aligning bottom rail outline on template with end of bottom rail. Use rubber bands to hold template in place. Remove rail.

# HOW TO INSTALL CROWN AND UNIVERSAL STAIR RAILING/CONTINUED

## TREX TRANSCEND

### Attaching RSBs to UPPER Posts



6. Attach upper and lower RSBs to top post, **flat side DOWN**. Remove template. Take second RSB, turn upside down and interlock into each bracket.

### If Attaching Original Foot Block to Bottom Rail

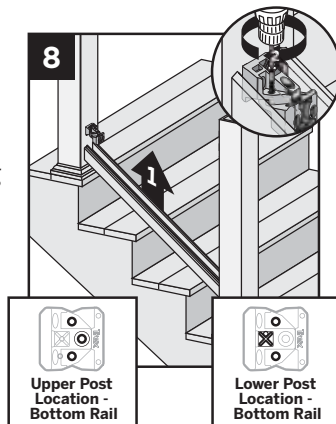
7a. See detailed instructions included with foot block.

### If Attaching New Foot Block to Bottom Rail

7b. See detailed instructions included with foot block.

### Attaching Bottom Rail (Universal Rail)

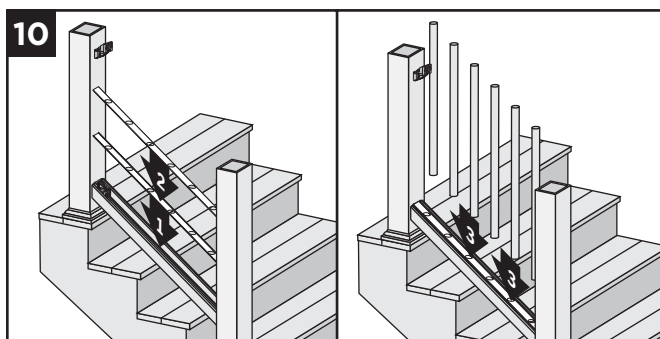
8. Lift bottom rail so RSB's are in the channel and attach with 3 self-tapping screws (provided). Use the three outer holes in RSB to attach screws.



### Adding Weeping Holes

9. See instructions on page 60.

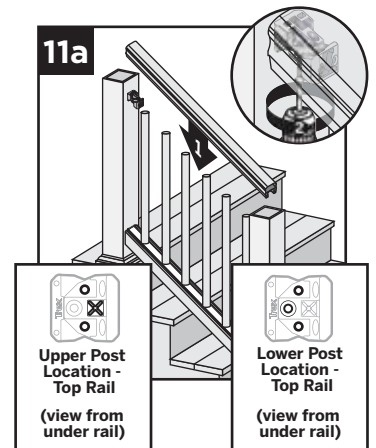
### Placing Baluster Spacers and Balusters



10. Snap baluster spacer into bottom rail. Place inverted baluster spacer on top of first baluster spacer making sure that holes line up parallel. Place balusters in baluster spacer holes.

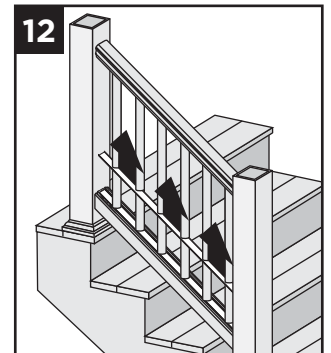
### Attaching Top Rail

- 11a. Place top rail of choice (Crown rail shown here) on RSB's in rail channel and attach with 3 self-tapping screws (provided). Use the three outer holes in RSB to attach screws.



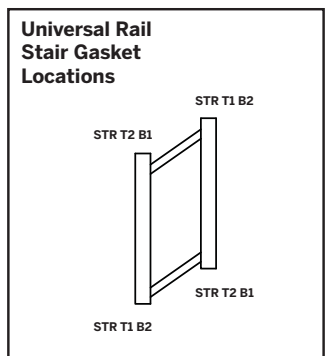
- 11b. If installing a different railing configuration other than Crown Railing, refer to other Railing Configurations in Horizontal sections for additional requirements.

12. Slide baluster spacer up and snap into top rail.



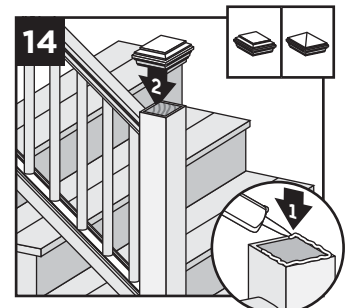
### Attaching Optional Gaskets

13. Stair railing gaskets are designed to fit at slopes of 32° to 37°. Gaskets are labeled in order to ensure correct location.



### Attaching Post Caps and Installing New Foot Block

14. Secure post caps with silicone or PVC adhesive. Attach new foot block per foot block instructions.



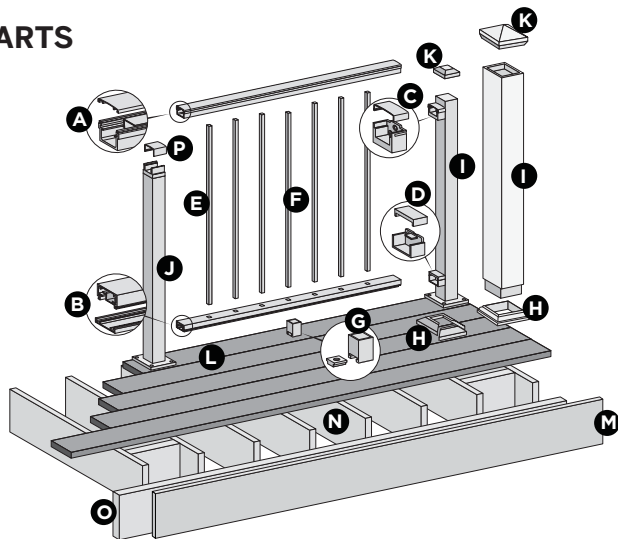
**NOTE:** Clean-up any excess adhesive before drying.

# TREX SIGNATURE® (FORMERLY REVEAL®) RAILING

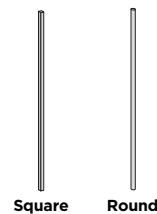
## NOTES:

- » SIGNATURE POSTS CANNOT BE USED WITH SIGNATURE TRADITIONAL OR SIGNATURE COCKTAIL DESIGNS, ONLY PRESSURE-TREATED POSTS/ POST SLEEVES CAN BE USED. REFER TO DETAILED INSTRUCTIONS FOR MORE INFORMATION.
- » SIGNATURE RAILINGS ARE DESIGNED TO BE ATTACHED WITH POSTS INSTALLED AT A CLEAR SPAN OF 6' (1.83 M) OR 8' (2.44 M).
- » IF INSTALLING AT EXACT SPAN LENGTHS OF 6' (1.83 M) OR 8' (2.44 M), AND USING POST-TO-POST CONFIGURATION, THE BOTTOM RAIL WILL NOT NEED TO BE CUT, BUT THE TOP RAIL WILL NEED TO BE MEASURED (MAKING SURE BALUSTERS LINE UP VERTICALLY) AND CUT.
- » IF INSTALLING AT EXACT SPAN LENGTHS OF 6' (1.83 M) OR 8' (2.44 M), AND USING CROSSOVER POST CONFIGURATION (SPANS FROM ONE CROSSOVER POST TO ANOTHER CROSSOVER POST), BOTH THE BOTTOM RAIL AND TOP RAIL WILL NOT NEED TO BE CUT.
- » IN ADDITION, AT ALL FINAL END POST CONFIGURATIONS, TOP RAIL WILL NEED TO BE MEASURED (MAKING SURE BALUSTERS LINE UP VERTICALLY) AND CUT.
- » SEE INFORMATION WITHIN DETAILED INSTRUCTIONS FOR MORE INFORMATION.
- » SEE PAGE 54 FOR SKU NUMBERS.

## PARTS



### BALUSTER OPTIONS



### DETERMINING BALUSTERS NEEDED

Baluster Type	Per 6' Section	Per 8' Section	Per 6' Stair Section	Per 8' Stair Section
Square	15	20	13	17
Round	15	20	13	17

**NOTE: THIS IS AN OVERVIEW OF ALL RAILING COMPONENTS FOR SIGNATURE HORIZONTAL APPLICATIONS – REFER TO DETAILED INSTRUCTIONS FOR SPECIFIC RAILING CONFIGURATIONS.**

- A. Signature top rail and crowned cover
  - 6' (actual length 73.5" [186.7 cm])
  - 8' (actual length 97.5" [247.7 cm])
- B. Signature bottom rail and flat cover
  - 6' Rail (actual length 71.5" [181.6 cm])
  - 6' Cover (actual length 70.0" [177.8 cm])
  - 8' Rail (actual length 95.5" [242.6 cm])
  - 8' Cover (actual length 94.0" [238.8 cm])
- C. Signature upper rail bracket and cover
- D. Signature lower rail bracket and cover
- E. Signature balusters (square or round)
- F. Signature center baluster (square or round)
- G. Signature foot block\*\*
- H. Signature post skirt or post sleeve skirt\*
- I. Signature post\*
  - (2" or 2.5" depending on application)
  - 36" (actual length 37" [94.0 cm])
  - 42" (actual length 43" [109.2 cm])
  - or Trex 4" x 4" post sleeve\*
  - 36" (actual length 39" [99.1 cm])
  - 42" (actual length 45" [114.3 cm])
- J. Signature crossover post\*
  - 36" (actual length 34.5" [87.6 cm])
  - 42" (actual length 40.5" [102.9 cm])
- K. Signature post cap or post sleeve cap\*
- L. Trex decking
- M. Trex Fascia
- N. Code-approved wood joist 2" x 8" (5.1 cm x 20.3 cm) or larger
- O. Code-approved wood rim joist 2" x 8" (5.1 cm x 20.3 cm) or larger
- P. Crossover bracket cover (supplied with crossover post)

\* Item not included in Signature Railing kits. Both 4" x 4" (10.2 cm x 10.2 cm) and 6" x 6" (15.2 cm x 15.2 cm) post sleeves are designed to fit over 4" x 4" pressure-treated post.

\*\* Required ONLY for All Clear Span Applications over 6' (1.83 m) when smaller fixed baluster is fully centered, or unsupported spans greater than 5' (1.52 m) (example: 8' (2.44 m) span cut into one 5' (1.52 m) span and one 3' (0.91 m) span would require foot block under 5' (1.52 m) span since smaller fixed baluster is no longer centered). Included with 8' (2.44 m) railing kits.

**NOTE:** If installing 42" (106.7 cm) railing, and using pressure-treated posts with Trex post sleeves, ensure that a longer pressure-treated post is used along with longer post sleeve, both cut to a height of 46" (116.8 cm) from decking surface.

**NOTE: MUST USE TREX DECK MOUNT POST HARDWARE AND METAL PLATE WHEN ATTACHING SIGNATURE POSTS.**

# INSTALLING SIGNATURE POSTS AND/OR SIGNATURE CROSSOVER POSTS ON WOOD OR CONCRETE

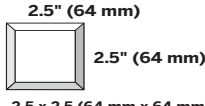
## IMPORTANT NOTES:

- » EACH POST MUST BE ATTACHED AS SHOWN TO ENSURE A CODE-COMPLIANT AND SAFE INSTALLATION.
- » SIGNATURE POSTS CANNOT BE USED WITH SIGNATURE TRADITIONAL OR SIGNATURE COCKTAIL DESIGNS, ONLY Pressure-treated POST/POST SLEEVES CAN BE USED. REFER TO DETAILED INSTRUCTIONS FOR MORE INFORMATION.
- » ALWAYS refer to your local building code official prior to installing any railing system to ensure all code and safety requirements are met. Trex® cannot be held responsible for improper or non-recommended installations.
- » When installing Signature posts on ACQ, CCA or concrete surfaces, use an appropriate isolation barrier between post and surface (contact local building code official if needed).
- » For installing Signature Post and/or Signature Crossover Posts, see below.
- » For pressure-treated posts, post sleeves, and skirts, see detailed instructions provided with Signature Railing Kits.
- » All Signature stair installations require the use of a 53" (1346 mm) stair post, measured and cut to appropriate length if necessary.
- » If crossover stair post is required, use stair post (again cut to appropriate length if necessary) and use swivel crossover bracket.
- » If installing on concrete, make sure all surfaces are level.

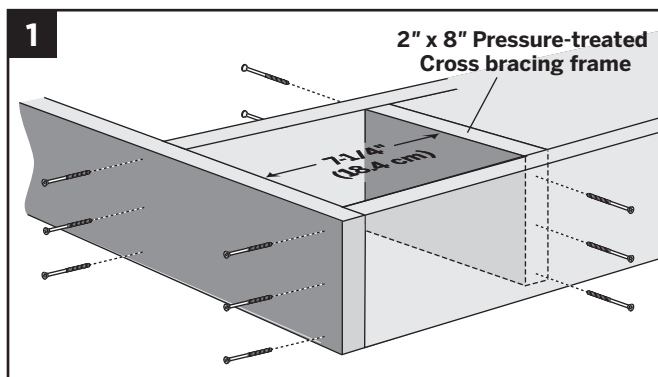
## TOOLS AND MATERIALS NEEDED

- » Drill and/or screw gun (hammer drill for concrete)
- » 1/2" (13 mm) drill bit for wood, 3/8" (10 mm) drill bit for concrete
- » Blocking – 2" x 8" (51 mm x 203 mm) pressure-treated Southern Yellow Pine or equivalent
- » Qty: 36 (per post) – 3" pressure-treated compatible wood screws

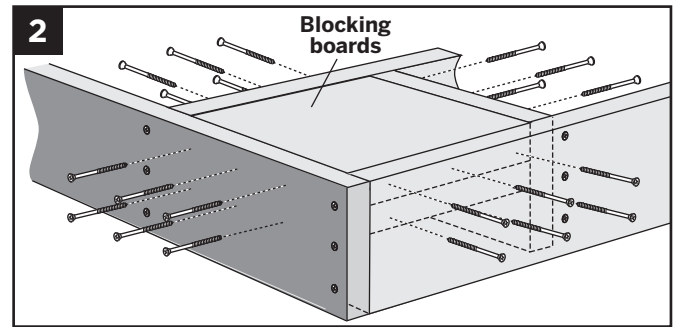
## CODE APPROVED POST APPLICATIONS

POST SIZE	 2.5 x 2.5 (64 mm x 64 mm) Post (IRC)
< 30" height decking	Acceptable (Code Approval not Applicable)
IRC Compliant	Yes
IBC Compliant	No

## Installing Signature Posts and/or Signature Crossover Posts on Pressure-treated Wood Framing (Corner Post Installation)



1. Install 2" x 8" (51 mm x 203 mm) cross bracing frame in between joists at 7-1/4" (184 mm). Attach a total of twelve 3" (76 mm) pressure-treated compatible screws (not provided).

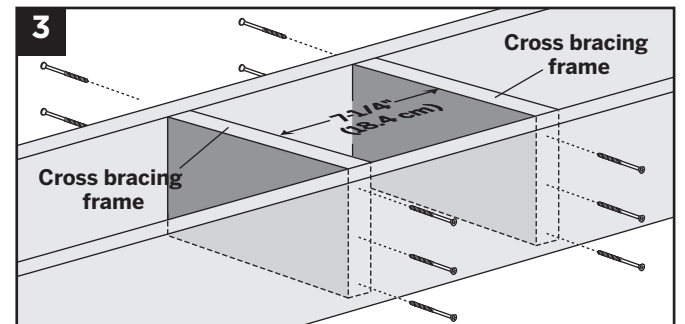


2. Install two 2" x 8" (51 mm x 203 mm) boards as blocking under post location. Securely attach blocking using a total of twenty-four 3" (76 mm) pressure-treated compatible screws (not provided).

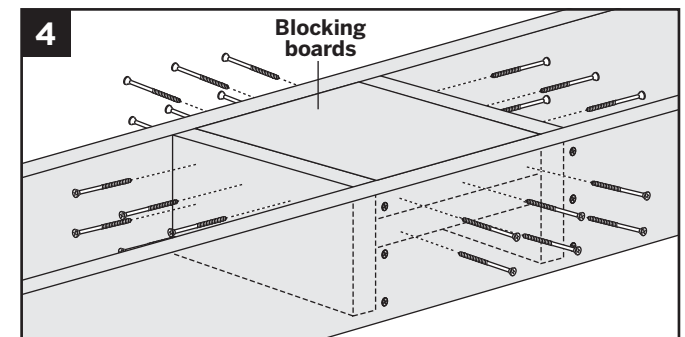
**NOTE:** TO ENSURE THE BLOCKING IS FULLY SECURE, USE THE AMOUNT OF SCREWS INDICATED ABOVE.

**TIP:** Use two additional screws to "sandwich" blocking boards together for easier attachment to framing.

## Line Post Installation



3. Install two 2" x 8" (51 mm x 203 mm) cross bracing frames in between joists at 7-1/4" (184 mm). Attach a total of twelve 3" (76 mm) pressure-treated compatible screws (not provided).



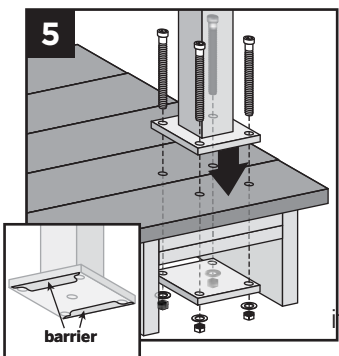
4. Install two 2" x 8" (51 mm x 203 mm) boards as blocking under post location. Securely attach blocking using a total of twenty-four 3" (76 mm) pressure-treated compatible screws (not provided).

# INSTALLING SIGNATURE POSTS AND/OR SIGNATURE CROSSOVER POSTS ON WOOD OR CONCRETE/CONTINUED

## NOTES:

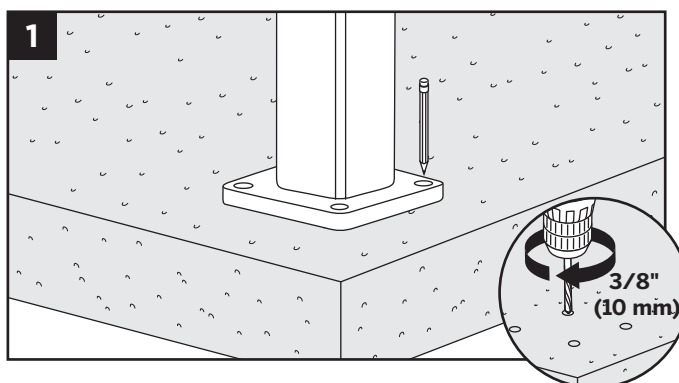
- » Rim joist removed to show proper attachment of hardware.
- » **Metal backplate is only required for 2.5" (64 mm) post in IRC installations.** (Consult local code official for more information.)

5. Insert (2) stainless steel barrier strips under mounting bolt holes. Use composite shims or similar material (not provided) if posts are not plumb. Ensure that post is placed on decking surface so clears rim joist and there is enough clearance on underside blocking for back plate to be installed. Attach posts using four 3/8" x 6" (10 mm x 152 mm) hex cap bolts, washers, and nuts, along with using aluminum back plate on underside of blocking (back plate only required for 2.5" [64 mm] posts). Back plate **MUST** be installed under decking to ensure this will meet code compliance. Reference Trex SKU part number ALPOSTHWDECK for required hardware and aluminum plate.



## Installing Reveal Posts on Concrete

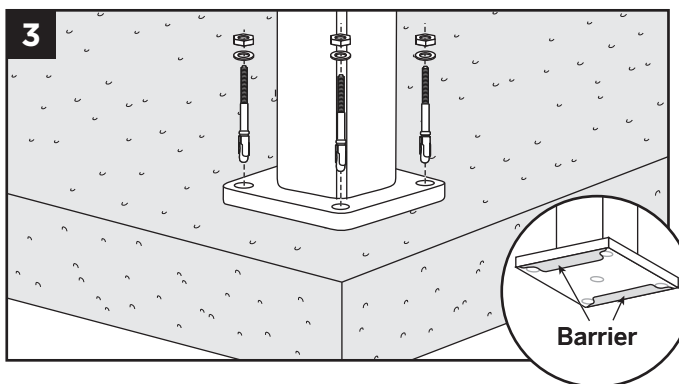
### Pre-drill Holes Pre-drill Hole



1. Using post as a template, mark locations of the four holes and drill into concrete at least 2-5/8" (67 mm) using a 3/8" (10 mm) masonry bit.

**NOTE:** You can either set drill bit to correct depth on drill or mark drill bit with tape at required dimension to ensure all holes are drilled at correct depth.

2. Clean out holes to remove all concrete dust using a shop vacuum or other appropriate tool.



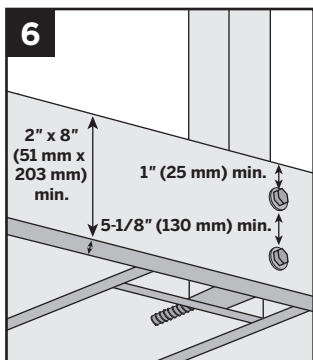
3. Insert (2) stainless steel barrier stripes under mounting bolt holes. Use appropriate shims if posts are not plumb. Attach posts using four TREX SUPPLIED 3/8" x 3-3/4" (10 mm x 95 mm) wedge anchors. Reference SKU part number ALPOSTHWCONC for required hardware (wedge anchors, washers, and nuts).

## NOTES:

- » When using hammer to tap anchors in place, keep threaded nut at top of anchor in order to not damage threads.
- » Recommended torque for anchors is 20 ft-lbs.

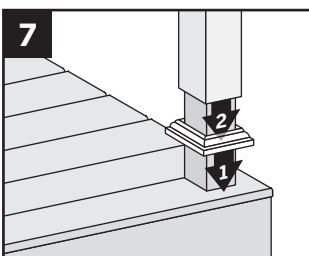
## Installing Pressure-treated Posts, Post Sleeves, and Skirts to Use with Signature Railing

6. Attach posts using 1/2" (13 mm) carriage bolts.
  - » Minimum joist size is 2" x 8" (51 mm x 203 mm).
  - » Top bolts must be 1" (25 mm) from top of joists.
  - » Bottom bolts must be 5-1/8" (130 mm) from top bolts.



**NOTE:** Blocking can be added for extra strength.

7. Slide post sleeve skirt over post and down to rest on decking surface. Slide post sleeve over post and position inside post sleeve skirt.

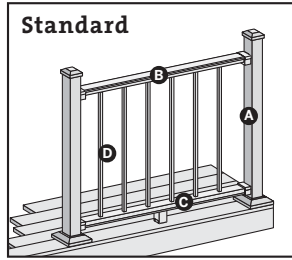


**NOTE:** Shims can be used to plumb post sleeves.

**NOTE:** Construction methods are always improving. Please refer to [www.trex.com](http://www.trex.com) for the most up-to-date installation requirements.

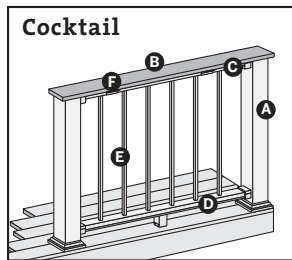


# TREX SIGNATURE RAILING CONFIGURATIONS



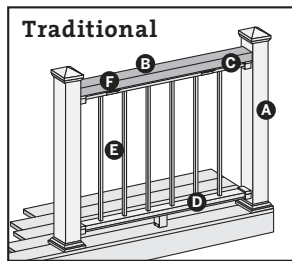
- Cutting posts/post sleeves is **NOT** required.
- A. Signature post, pressure-treated post or Trex Post Mounts\* with Trex Transcend post sleeves, or Trex Joist Mount Posts\*.
  - B. Signature top rail
  - C. Signature bottom rail
  - D. Signature balusters
- See page 78 for "How to Install Standard Railing".

**\*NOTE:** See specific installation instructions for attachment of Trex post mounts or Trex Joist Mount Posts prior to installing any railing.



- Post sleeves **WILL NEED TO BE CUT.**
- A. Pressure-treated post with Trex Transcend post sleeve  
**NOTE:** » Only for use with 4" x 4" (102 mm x 102 mm) post sleeve.  
» Trex Signature Posts, Trex Post Mounts or Joist Mount Posts cannot be used with Signature® Cocktail design.
  - B. Deck board top rail. **NOTE:** Contour and Escapes cannot be used.
  - C. Signature top rail
  - D. Signature bottom rail
  - E. Signature balusters
  - F. Signature Cocktail Rail Bracket\*\*
- See page 87 for "How to Install Signature Cocktail Railing".

**POST  
SLEEVES  
WILL  
NEED TO  
BE CUT**



- Cutting posts/post sleeves is **NOT** required.
- A. Pressure-Treated post with Trex Transcend post sleeve  
**NOTE:** » Only for use with 4" x 4" (102 mm x 102 mm) or 6" x 6" (152 mm x 152 mm) post sleeve  
» Trex Signature Posts, Trex Post Mounts or Joist Mount Posts cannot be used with Signature Traditional design
  - B. 2" x 4" (51 mm x 102 mm) lateral top rail
  - C. Signature top rail
  - D. Signature bottom rail
  - E. Signature balusters
  - F. Signature Cocktail Rail Bracket\*\*
- See page 88 for "How to Install Signature Traditional Railing".

\*\* Signature Cocktail Rail brackets (sold separately) are for use with either Signature Traditional or Signature Cocktail designs. For a 6' section, use 4 brackets and screws provided, for 8' section, use 5 brackets and screws provided.

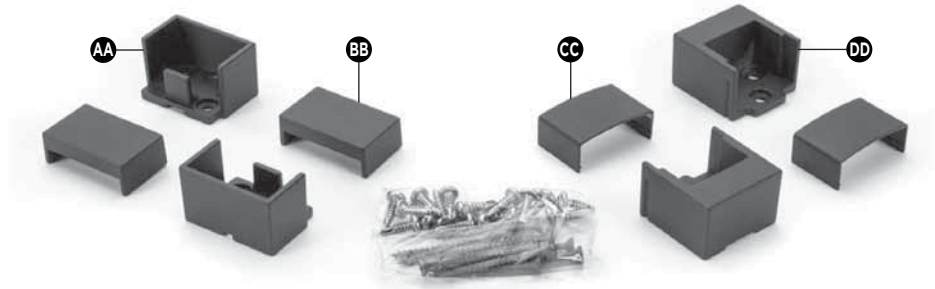


# BRACKET HARDWARE - HORIZONTAL APPLICATIONS (INCLUDING HORIZONTAL SWIVEL BRACKETS)

TREX SIGNATURE

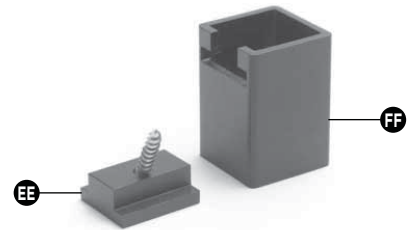
## HORIZONTAL RAILING HARDWARE

- AA. Lower rail bracket
- BB. Lower rail bracket cover
- CC. Upper rail bracket cover
- DD. Upper rail bracket



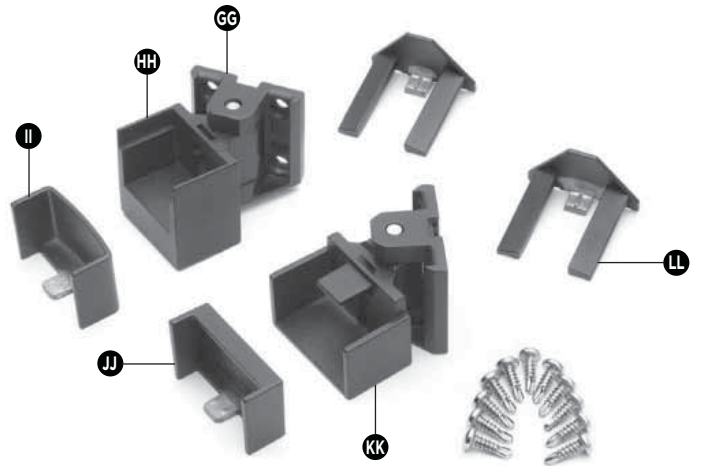
## FOOT BLOCK COMPONENTS

- EE. Foot block base
- FF. Foot block support



## HORIZONTAL SWIVEL HARDWARE

- GG. Swivel base
- HH. Horizontal swivel bracket top rail
- II. Horizontal swivel bracket top rail cover
- JJ. Horizontal swivel bracket bottom rail cover
- KK. Horizontal swivel bracket bottom rail
- LL. Swivel base cover

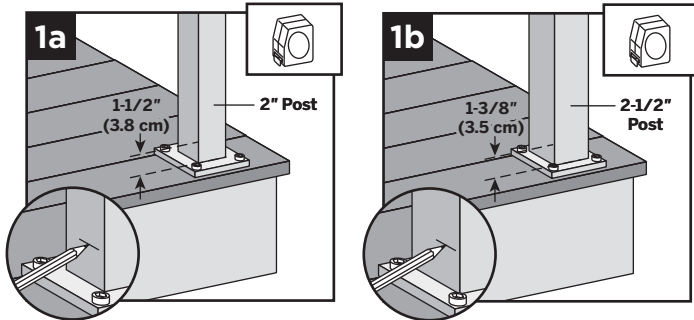


# HOW TO INSTALL HORIZONTAL RAILING

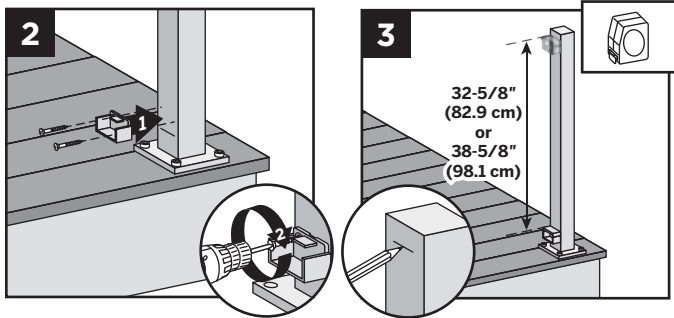
## TREX SIGNATURE STANDARD

### Attach Brackets Using Signature Posts

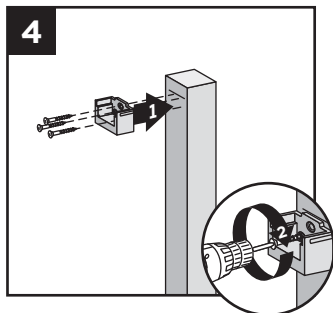
**TIP:** Use a clamp to help hold brackets in place while fastening with screws.



- 1a. If using 2" post, for both post-to-post and post-to-crossover post configurations, measure 1-1/2" (3.8 cm) up from top of post base plate (or 1-7/8" [4.8 cm] from decking surface). Mark with light line.
- 1b. When using 2.5" post, measure 1-3/8" (3.5 cm) from top of post base plate or 1-7/8" (4.8 cm) from decking surface. Mark with light line.



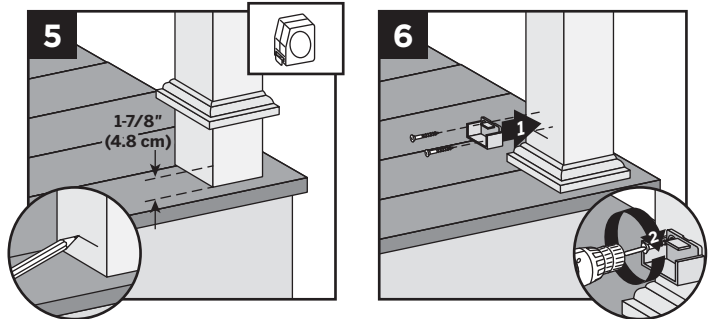
2. Center lower bracket on post **above** the marked line and attach using two self-tapping screws (*provided*).
3. Measure up 32-5/8" (82.9 cm) for 36" (91.4 cm) tall railing or 38-5/8" (98.1 cm) for 42" (106.7 cm) tall railing from top of lower rail bracket. Mark with a light line.
4. Center upper bracket on post **below** marked line and attach using (3) self-tapping screws (*provided*).



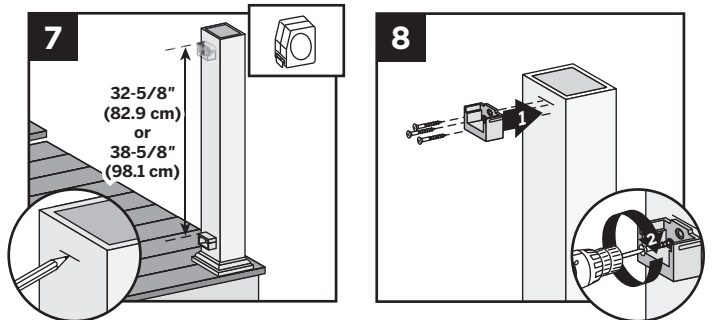
**NOTE:** Upper bracket is not required on crossover post configuration.

### Attach Brackets Using Pressure-treated Posts and Post Sleeves

**TIP:** Use a clamp to help hold brackets in place while fastening with screws.



5. Measure 1-7/8" (4.8 cm) up from deck surface to bottom of bracket. Slide skirt up to allow for proper measurement, then push skirt back down onto surface of decking **BEFORE ATTACHING BRACKET**. Mark with light line.
6. Center lower bracket on post **above** the marked line and attach using two 2" (5.1 cm) wood screws (*provided*).



7. Measure up 32-5/8" (82.9 cm) for 36" (91.4 cm) tall railing or 38-5/8" (98.1 cm) for 42" (106.7 cm) tall railing from top of lower rail bracket. Mark with a light line.
8. Center upper bracket on post **below** marked line and attach using three 2" (5.1 cm) wood screws (*provided*).

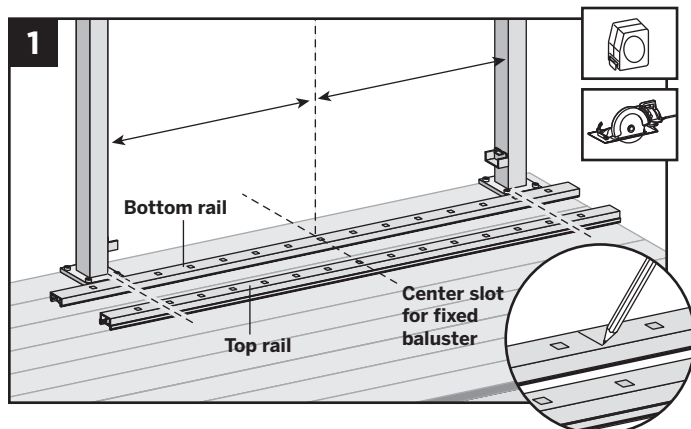
# HOW TO INSTALL HORIZONTAL RAILING/CONTINUED

## TREX SIGNATURE STANDARD

### NOTES:

- » SIGNATURE RAILINGS ARE DESIGNED TO BE ATTACHED WITH POSTS INSTALLED AT A CLEAR SPAN OF 6' (1.83 M) OR 8' (2.44 M).
- » IF INSTALLING AT EXACT SPAN LENGTHS OF 6' (1.83 M) OR 8' (2.44 M), AND USING POST-TO-POST CONFIGURATION, THE BOTTOM RAIL WILL NOT NEED TO BE CUT, BUT THE TOP RAIL WILL NEED TO BE MEASURED (MAKING SURE BALUSTERS LINE UP VERTICALLY) AND CUT.
- » IF INSTALLING AT EXACT SPAN LENGTHS OF 6' (1.83 M) OR 8' (2.44 M), AND USING CROSSOVER POST CONFIGURATION (SPANS FROM ONE CROSSOVER POST TO ANOTHER CROSSOVER POST), BOTH THE BOTTOM RAIL AND TOP RAIL WILL NOT NEED TO BE CUT.
- » IN ADDITION, AT ALL FINAL END POST CONFIGURATION, TOP RAIL WILL NEED TO BE MEASURED (MAKING SURE BALUSTERS LINE UP VERTICALLY) AND CUT.
- » FOR ODD SPAN LENGTHS, BOTH TOP RAIL AND BOTTOM RAIL WILL NEED TO BE MEASURED (MAKING SURE BALUSTERS LINE UP VERTICALLY) AND CUT. ENSURE THAT BALUSTERS ARE SPACED WITH AN EQUAL DISTANCE ON EACH SIDE OF THE POST.
- » WHEN RAILINGS ARE CUT TO ODD SPANS, ALL SPANS GREATER THAN 5' (1.52 M) (EXAMPLE: 8' (2.44 M) SPAN CUT INTO ONE 5' (1.52 M) SPAN AND ONE 3' (0.91 M) SPAN) WOULD REQUIRE FOOT BLOCK UNDER 5' (1.52 M) SPAN SINCE SMALLER FIXED BALUSTER IS NO LONGER CENTERED.

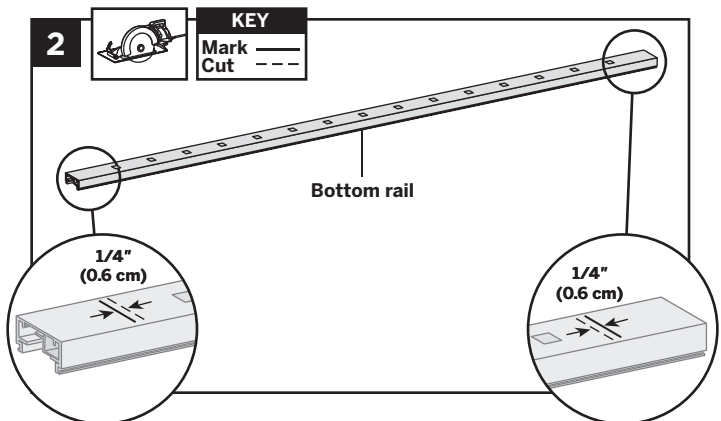
### How to Measure and Cut Bottom and Top Railings (WHEN REQUIRED)



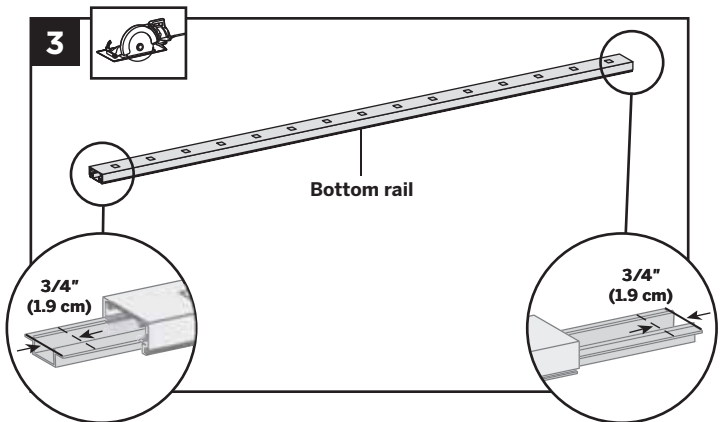
1. Position bottom and top rails between posts and align with bottom bracket. Align the center baluster slot in both rails with the middle of the span between posts.\* This will allow an equal number of baluster holes on each side of center slot. Mark bottom rail and top rail at each end (ensure both rails are centered between posts).

\* In some cases, due to odd railing spans, the center baluster may need to be offset in one direction to ensure there is enough room at both post locations for balusters to be placed, review this BEFORE cutting any railings to ensure all balusters are equally spaced.

### Cutting Bottom Rail and Bottom Rail Cover

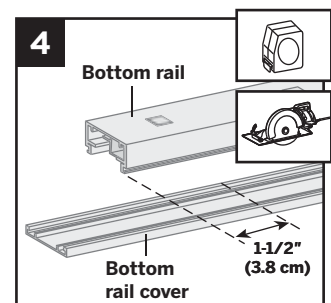


2. Cut each end of bottom rail 1/4" (0.6 cm) shorter than mark on each end to allow for fit into bottom rail brackets.



3. Slide rail insert out and cut 3/4" (1.9 cm) FROM EACH SIDE of insert, then slide back inside rail and center.

4. Mark and cut bottom rail cover 1-1/2" (3.8 cm) shorter than bottom rail.



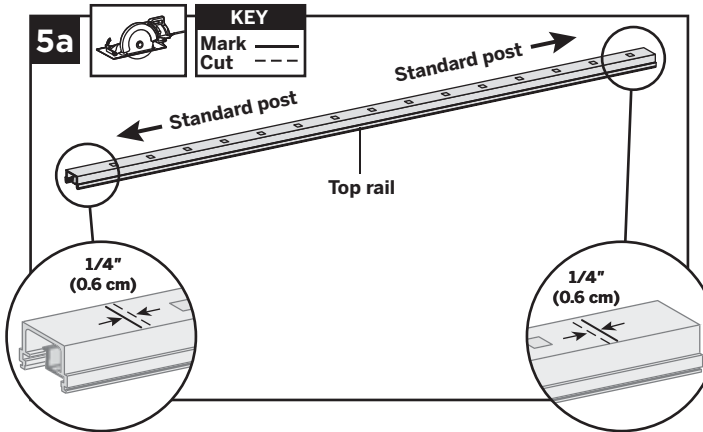
# HOW TO INSTALL HORIZONTAL RAILING/CONTINUED

## TREX SIGNATURE STANDARD

### Cutting Top Rail

#### Option 1:

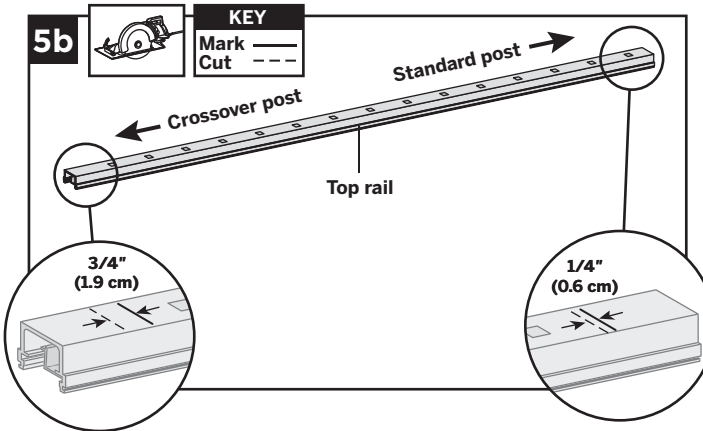
For Post-to-Post Configuration



5a. Cut each end of top rail 1/4" (0.6 cm) shorter than mark to allow for fit into top rail brackets.

### Cutting Top Rail

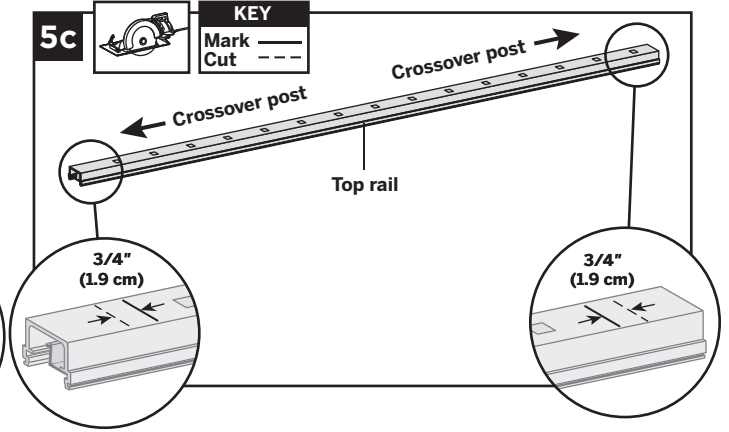
#### Option 2:



#### For Post-to-Crossover-Post Configuration

5b. Top rail must be cut differently on each side of the rail. Railing side that attaches to standard post should be cut 1/4" (0.6 cm) shorter than the mark to allow for fit into top rail bracket. Railing side that attaches to the crossover post should be cut 3/4" (1.9 cm) **LONGER** than the mark to allow for fit into the crossover post bracket.

### Cutting Top Rail

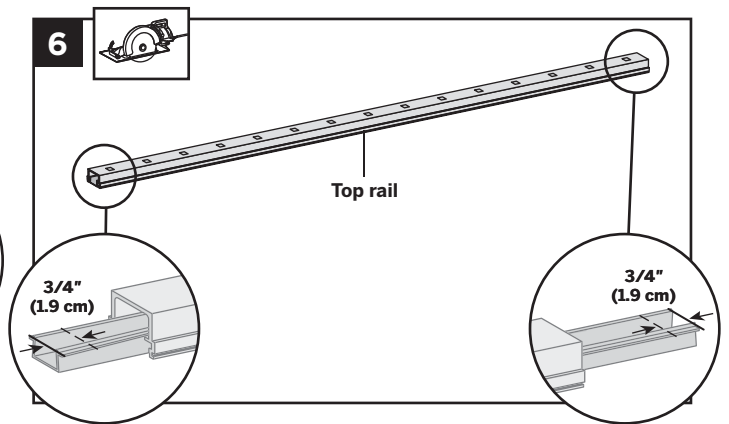


#### Option 3:

#### For Crossover-Post-to-Crossover-Post Configuration

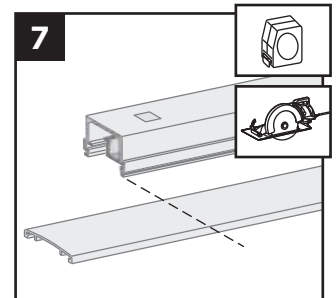
5c. Cut each end of top rail 3/4" (1.9 cm) **LONGER** than the mark to allow for fit into the crossover post bracket on each side.

### Cutting Top Rail Insert and Cover



6. Slide rail insert out and cut 3/4" (1.9 cm) **FROM EACH SIDE** of insert, then slide back inside rail and center.

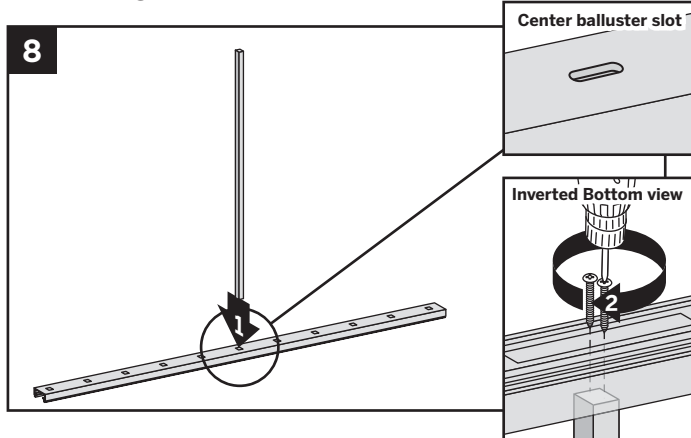
7. Mark and cut top rail cover same length as top rail for all top rail configurations.



# HOW TO INSTALL HORIZONTAL RAILING/CONTINUED

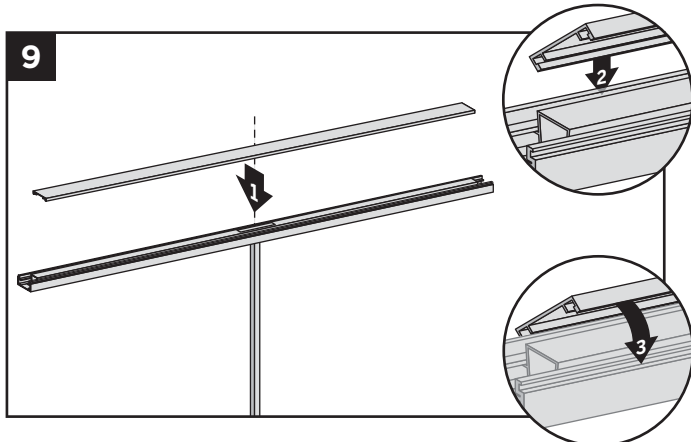
TREX SIGNATURE STANDARD

## Attaching Center Baluster to Bottom Rail

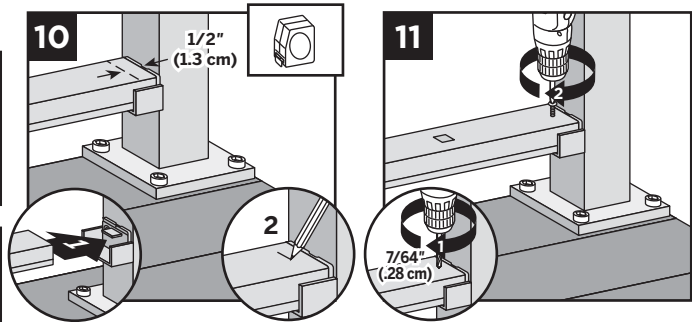


8. Attach shorter, center baluster in center slot in bottom rail using two #8 x 1-1/4" (3.2 cm) screws (provided).

## Attaching Bottom Rail Cover and Bottom Rail to Brackets



9. Attach "flat" bottom rail cover to bottom rail by first centering cover on bottom rail (this will allow gap on each end of bottom rail for placement into brackets). Align cover on one side of bottom rail in slot on side of rail. Then starting from one end of rail snap cover onto opposing slot working down the length of rail. In some cases, a **rubber mallet** may facilitate the fastening using **GENTLE** tapping.

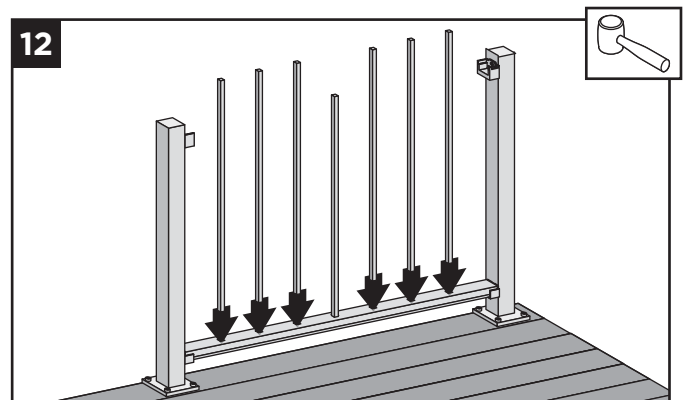


10. Set bottom rail into bottom brackets. Tabs on brackets will be inside of bottom rail (not shown when railing is attached). To ensure fit into tab, measure and mark 1/2" (1.3 cm) out from side of post.

11. Attach bottom rail to bottom bracket by fastening through marked measurement on top of rail into tab on bottom bracket using one self-tapping screw each side (provided).

**NOTE: Pre-drilling is recommended (7/64" [0.28 cm] drill bit) for attachment of railing to bracket.**

## Installing Remaining Balusters into Bottom Rail

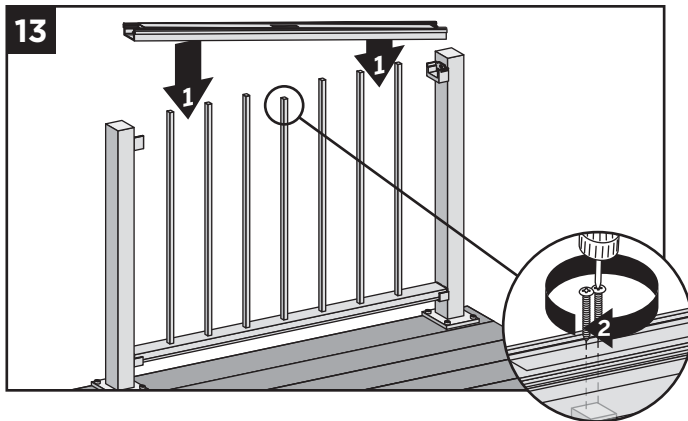


12. Place remaining balusters into holes in lower rail by snapping fully into place. In some cases, a **rubber mallet** may facilitate the fastening using **GENTLE** tapping.

# HOW TO INSTALL HORIZONTAL RAILING/CONTINUED

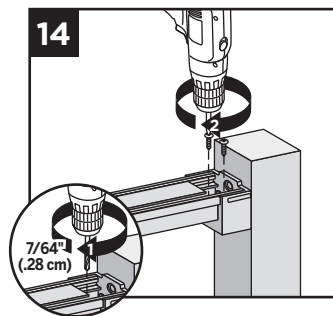
## TREX SIGNATURE STANDARD

### Attach Upper Railings



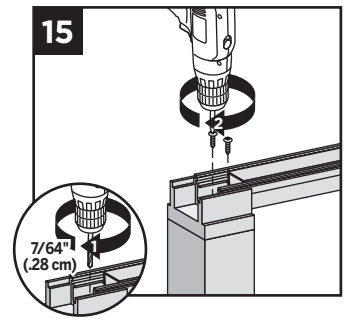
13. Working from one end of upper rail, snap balusters into upper rail working down length of rail. Fasten center baluster into center slot using two #8 x 1-1/4" (3.2 cm) screws (provided).

14. For post-to-post configuration, fasten upper rail to each bracket by installing screws diagonally through upper rail into bracket using two self-tapping screws each side (provided).

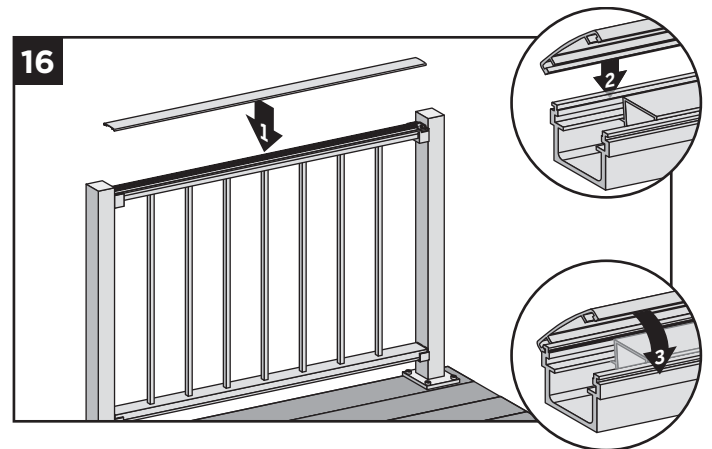


**NOTE: Pre-drilling is recommended (7/64" [0.28 cm] drill bit) for attachment of railing to bracket.**

15. For crossover post configuration, fasten upper rail to crossover post by installing screws diagonally through upper rail into post using two self-tapping screws each side (provided).



**NOTE: Pre-drilling is recommended (7/64" [0.28 cm] drill bit) for attachment of railing to post.**

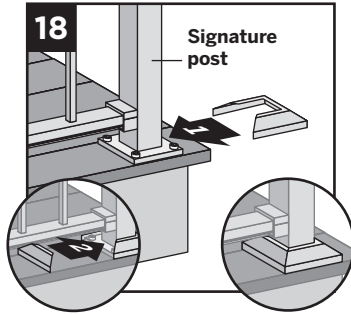
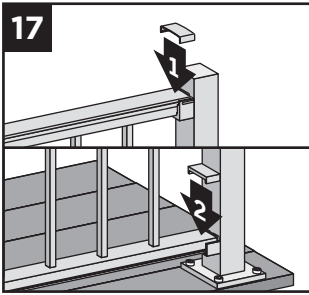


16. Attach "crowned" upper rail cover to upper rail by aligning cover on one side of rail. Then starting from one end of rail, snap cover onto opposing slot working down length of rail. A **rubber mallet** may facilitate the fastening using **GENTLE** tapping.

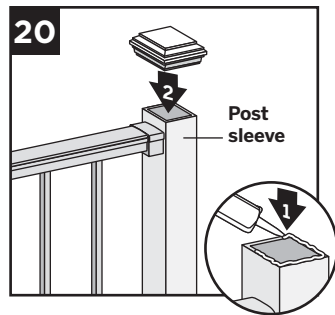
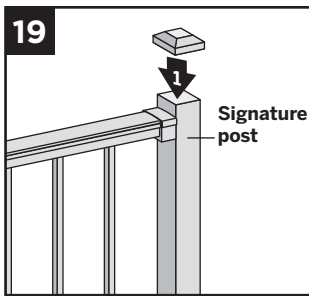
# HOW TO INSTALL HORIZONTAL RAILING/CONTINUED

## TREX SIGNATURE STANDARD

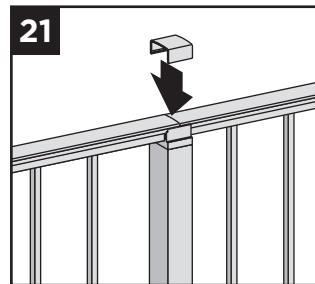
### Attachment of Bracket Covers, Skirts, and Caps



17. Attach corresponding bracket covers over opening in upper and bottom rails.
18. Attach provided post skirt to bottom of posts when using Signature posts.



19. Attach post caps to Signature posts. (Use of **rubber mallet** may be required for secure attachment.)
20. Attach post caps to post sleeves using external grade PVC construction adhesive.
21. For crossover post configuration, attach crossover post cap to crossover post.



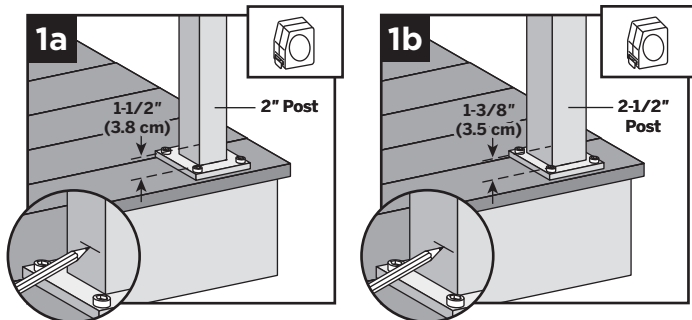


# INSTALLATION OF HORIZONTAL SWIVEL BRACKETS

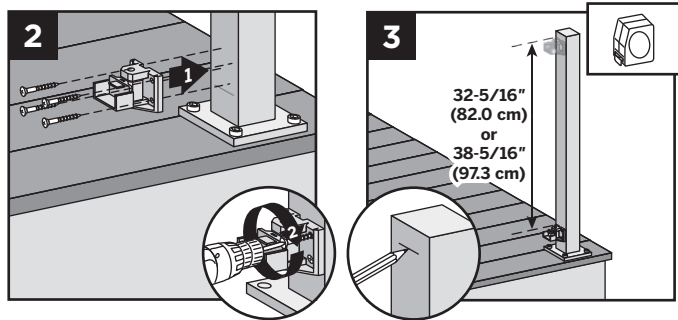
## TREX SIGNATURE STANDARD

### Attach Swivel Bracket Base using Signature Posts

**TIP:** Use a clamp to help hold brackets in place while fastening with screws.

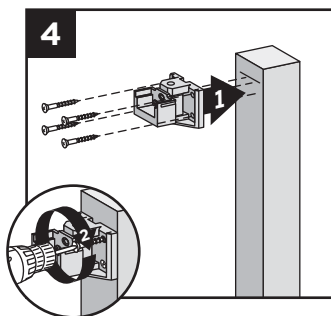


- 1a. When using 2" post, for both post-to-post and post-to-cross-over-post configurations, measure 1-1/2" (3.8 cm) up from top of post base plate (or 1-7/8" [4.8 cm] from decking surface). Mark with light line.
- 1b. When using 2.5" post, measure 1-3/8" (3.5 cm) from top of post base plate (or 1-7/8" [4.8 cm] from decking surface). Mark with light line.



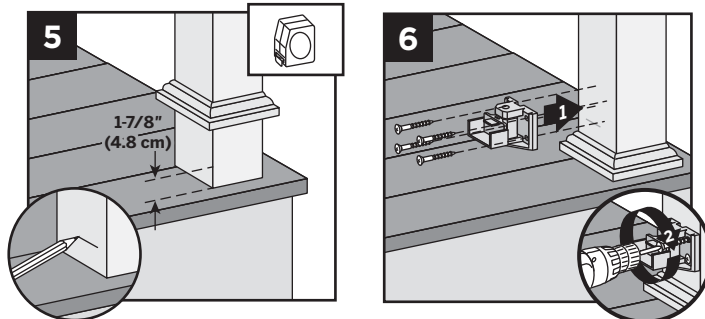
2. Center lower bracket on post **above** the marked line and attach using four self-tapping screws (*provided*).
3. Measure up 32-5/16" (82.0 cm) for 36" (91.4 cm) tall railing or 38-5/16" (97.3 cm) for 42" (106.7 cm) tall railing from top of lower rail bracket. Mark with a light line.
4. Center upper bracket on post **below** marked line and attach using four self-tapping screws (*provided*).

**NOTE:** Upper bracket is not required on crossover post configuration.

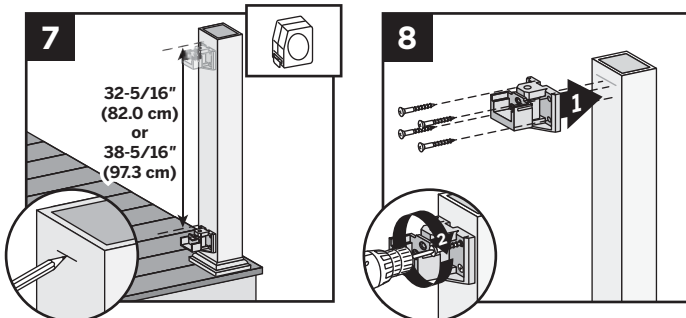


### Attach Brackets Using Pressure-treated Posts and Post Sleeves

**TIP:** Use a clamp to help hold brackets in place while fastening with screws.



5. Measure 1-7/8" (4.8 cm) up from deck surface to bottom of bracket. Slide skirt up to allow for proper measurement, then push skirt back down onto surface of decking **BEFORE ATTACHING BRACKET**. Mark with light line.
6. Center lower bracket on post **above** the marked line and attach using four 2" (5.1 cm) wood screws (*provided*).



7. Measure up 32-5/16" (82.0 cm) for 36" (91.4 cm) tall railing or 38-5/16" (97.3 cm) for 42" (106.7 cm) tall railing from top of lower rail bracket. Mark with a light line.
8. Center upper bracket on post **below** marked line and attach using four 2" (5.1 cm) wood screws (*provided*).



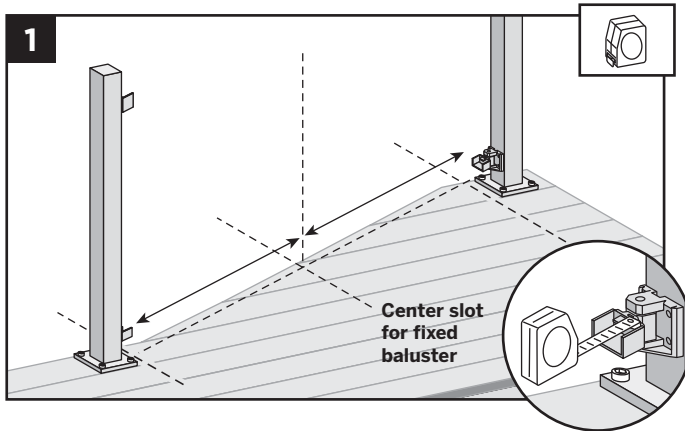
# INSTALLATION OF HORIZONTAL SWIVEL RAILING

## TREX SIGNATURE STANDARD

### NOTES:

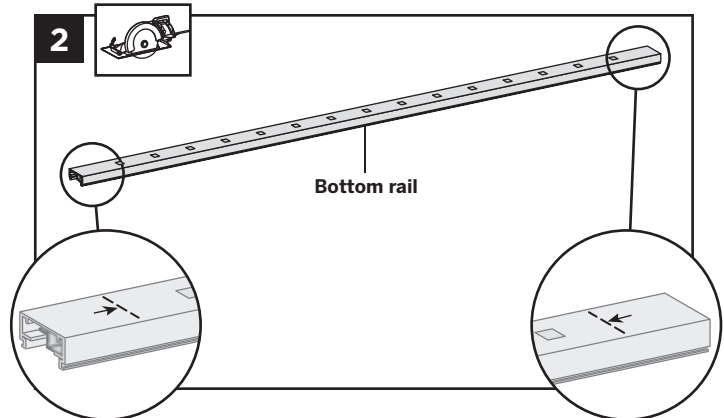
- » WHEN USING SIGNATURE HORIZONTAL SWIVEL BRACKETS BOTH BOTTOM AND TOP RAILS WILL NEED TO BE MEASURED AND CUT TO APPROPRIATE LENGTHS.
- » HORIZONTAL SWIVEL BRACKETS CAN BE USED UP TO A 50° ANGLE FOR SIGNATURE RAILINGS.
- » WHEN USING HORIZONTAL SWIVEL BRACKETS VERY IMPORTANT TO LAY OUT LOCATION AND ORIENTATION OF POSTS AND SWIVEL BRACKETS BEFORE INSTALLING SWIVEL BRACKETS.
- » WHEN RAILINGS ARE CUT TO ODD SPANS, ALL SPANS GREATER THAN 5' (1.52 M) (EXAMPLE: 8' (2.44 M) SPAN CUT INTO ONE 5' (1.52 M) SPAN AND ONE 3' (0.91 M) SPAN) WOULD REQUIRE FOOT BLOCK UNDER 5' (1.52 M) SPAN SINCE SMALLER FIXED BALUSTER IS NO LONGER CENTERED.

### How to Measure and Cut Bottom and Top Railings

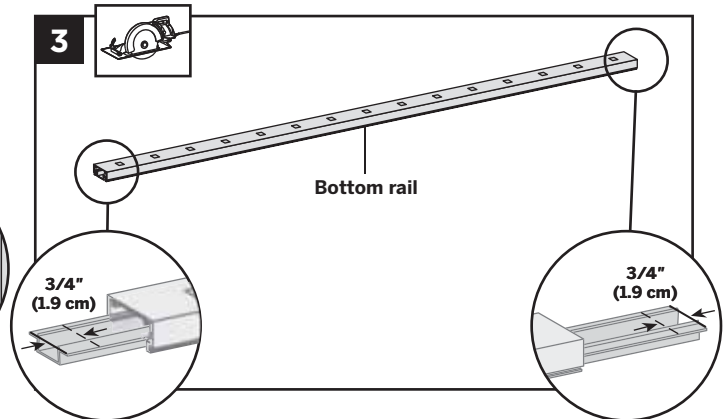


1. With brackets in correct swivel location, measure distance from inside of bracket to inside of bracket. ENSURE THAT BEFORE CUTTING, BALUSTERS HOLES ON BOTH BOTTOM AND TOP RAIL LINE UP. ALSO MAKE SURE CENTER BALUSTER SLOT IS AS CLOSE TO THE MIDDLE OF THE SPAN AS POSSIBLE. In some cases due to odd railing spans, the center baluster may need to be offset in one or the other direction to ensure there is enough room at both post locations for balusters to be placed.

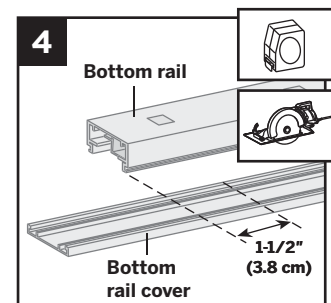
### Cutting Bottom Rail and Bottom Rail Cover



2. Cut bottom rail to the measurement between the bottom swivel brackets.



3. Slide rail insert out and cut 3/4" (1.9 cm) FROM EACH SIDE of insert, then slide back inside rail and center.
4. Mark and cut bottom rail cover 1-1/2" (3.8 cm) shorter than bottom rail.



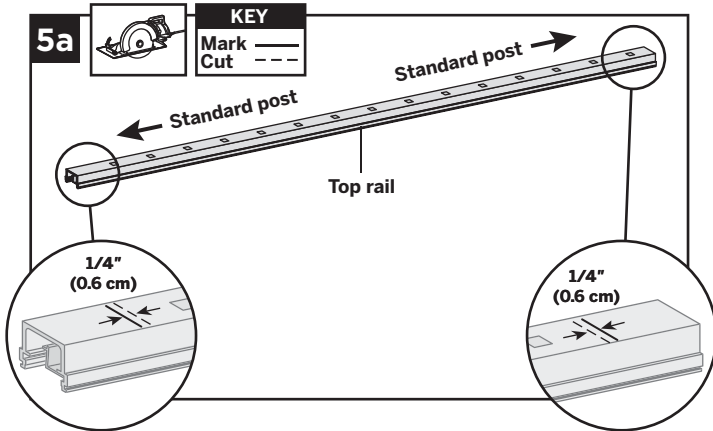
# INSTALLATION OF HORIZONTAL SWIVEL RAILING/CONTINUED

## TREX SIGNATURE STANDARD

### Cutting Top Rail

#### Option 1:

For Post-to-Post Configuration

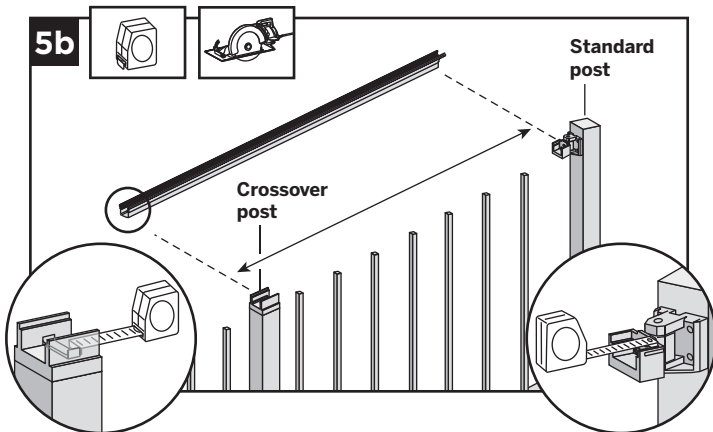


5a. Cut top rail to the measurement between the top swivel brackets. For standard-post-to-standard-post configurations this would be same dimensions as that of the bottom rail.

### Cutting Top Rail

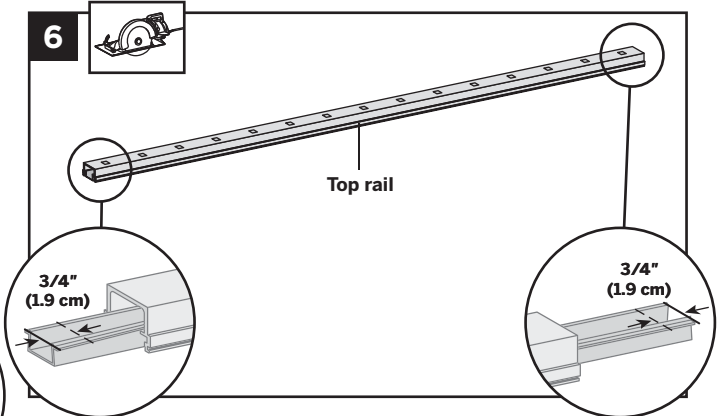
#### Option 2:

For Post-to-Crossover-Post Configuration



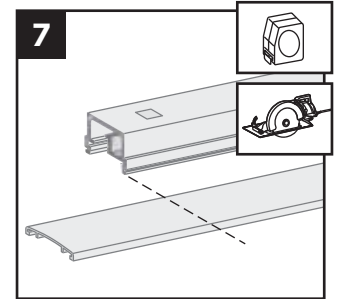
5b. When going from standard-post-to-crossover-post, measurement must be taken from inside of top horizontal swivel bracket to inside lip of crossover bracket (which is attached to top of crossover post).

### Cutting Top Rail Insert and Cover



6. Slide rail insert out and cut 3/4" (1.9 cm) **FROM EACH SIDE** of insert, then slide back inside rail and center.

7. Mark and cut top rail cover same length as top rail for all top rail configurations.



8. **Attaching Center Baluster to Bottom Rail**  
*See instructions on page 81.*

9. **Attaching Bottom Rail Cover and Bottom Rail to Brackets**  
*See instructions on page 81.*

10. **Installing Remaining Balusters into Bottom Rail**  
*See instructions on page 81.*

11. **Attach Upper Railings**  
*See instructions on page 82.*

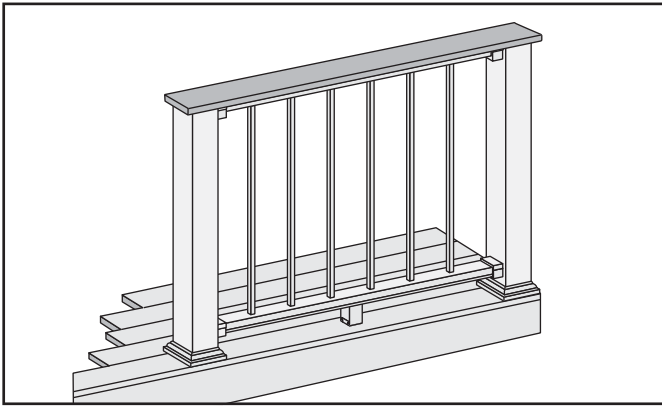
12. **Attachment of Bracket Covers, Skirts, and Caps**  
*See instructions on page 83.*

13. **Attachment of Foot Block (Required ONLY for All Clear Span Applications Over 6' [1.83 m])**  
*See instructions on page 89.*



# HOW TO INSTALL SIGNATURE COCKTAIL RAILING

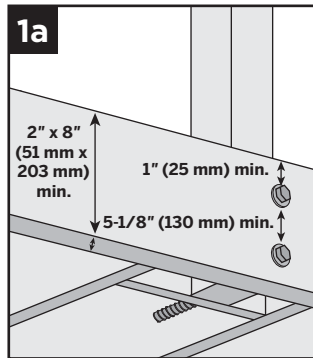
TREX SIGNATURE



**Important: ONLY** for use with pressure-treated 4 x 4 post (3.5" nominal square) and 4" x 4" (102 mm x 102 mm) post sleeve. Trex Signature posts, Trex post mounts or joist mount posts cannot be used with Signature Cocktail railing. Cutting post and post sleeve **ONLY** apply to the Cocktail style railing.

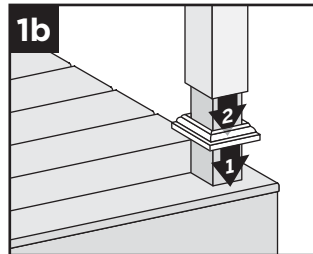
## Installing Pressure-treated Posts, Post Sleeves, and Skirts to Use with Signature Railing

- 1a. Attach posts using 1/2" (13 mm) carriage bolts.
  - » Minimum joist size is 2" x 8" (51 mm x 203 mm).
  - » Top bolts must be 1" (25 mm) from top of joists.
  - » Bottom bolts must be 5-1/8" (130 mm) from top bolts.



**NOTE:** Blocking can be added for extra strength.

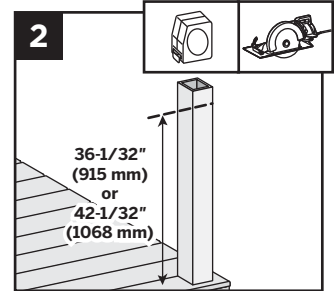
- 1b. Slide post sleeve skirt over post and down to rest on decking surface. Slide post sleeve over post and position inside post sleeve skirt.



**NOTE:** Shims can be used to plumb post sleeves.

## Cutting Post and Post Sleeve

2. Mark and cut post and post sleeve measuring from deck surface:
  - » 36-1/32" (915 mm) for 36" (914 mm) height.
  - » 42-1/32" (1068 mm) for 42" (1067 mm) height.



## 3. Installing Horizontal Fixed Brackets

See instructions on page 78.

## 4. Installing Horizontal Swivel Brackets

See instructions on page 84.

## 5. Cutting Railings for Horizontal Fixed Brackets

See instructions on page 79.

## 6. Cutting Railings for Horizontal Swivel Brackets

See instructions on page 85.

## 7. Attaching Center Baluster to Bottom Rail

See instructions on page 81.

## 8. Attaching Bottom Rail Cover and Bottom Rail to Brackets

See instructions on page 81.

## 9. Installing Remaining Balusters into Bottom Rail

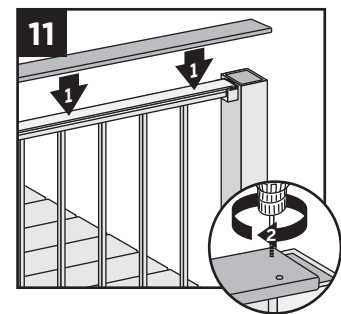
See instructions on page 81.

## 10. Attaching Top Rail and Top Rail Cover

See instructions on page 82. Note: Top Bracket Covers are not attached in this configuration.

## 11. Attaching Deck Board to Top Rail

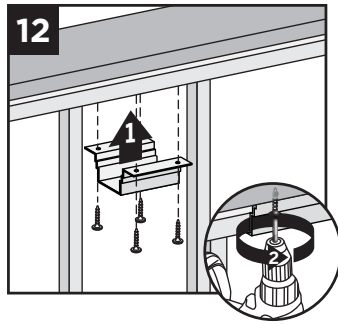
Place deck boards (**DO NOT** use Escapes or Contour deck boards for top rail) over top rails. Attach boards on each post with Trex-recommended composite screws (quantity of 2 per each board end).



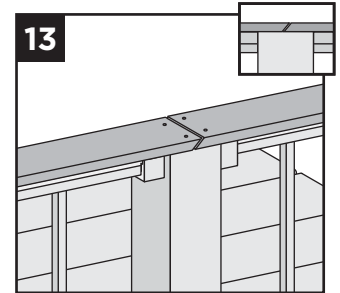
## HOW TO INSTALL SIGNATURE COCKTAIL RAILING/CONTINUED

### TREX SIGNATURE

12. Secure boards to top rail using Signature Cocktail Bracket (sold separately). Ensure that there is a bracket at each end of the railing section, then space brackets approximately every 24" and attach with 4 screws provided.



13. Use scarf cut for posts where two deck boards meet.



#### NOTES:

- » If installing in weather below 40°F (4.5°C), leave 1/8" (3 mm) gap between deck boards.
- » Deck boards can overhang end of last post maximum 1/2" (13 mm).

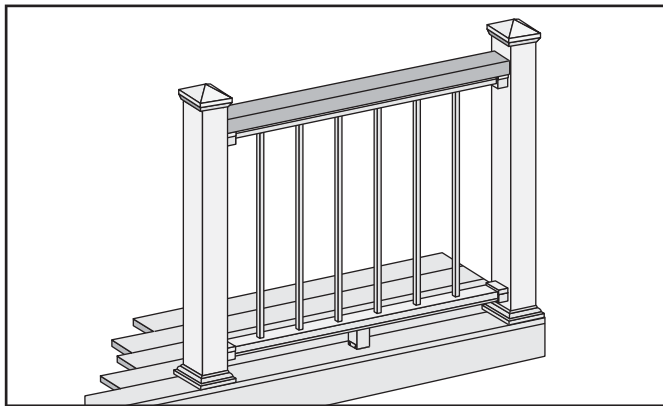
**NOTE:** Predrilling before attachment is recommended.

14. **Attachment of Bottom Bracket Covers and Skirts**

See instructions on page 83.

## HOW TO INSTALL SIGNATURE TRADITIONAL RAILING

### TREX SIGNATURE®



**Important: ONLY** use for use with pressure-treated 4 x 4 post (3.5" nominal square) and 4" x 4" (102 mm x 102 mm) or 6" x 6" post sleeve. Trex Signature Posts, Trex Post Mounts or Joist Mount Posts cannot be used with Signature Traditional railing.

1. **Installing Posts, Post Sleeve Skirts and Post Sleeves**  
See instructions on page 74.
2. **Installing Horizontal Fixed Brackets**  
See instructions on page 78.
3. **Installing Horizontal Swivel Brackets**  
See instructions on page 84.
4. **Cutting Railings for Horizontal Fixed Brackets**  
See instructions on page 79.

5. **Cutting Railings for Horizontal Swivel Brackets**

See instructions on page 85.

6. **Attaching Center Baluster to Bottom Rail**

See instructions on page 81.

7. **Attaching Bottom Rail Cover and Bottom Rail to Brackets**

See instructions on page 81.

8. **Installing Remaining Balusters into Bottom Rail**

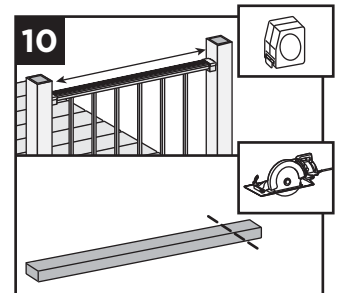
See instructions on page 81.

9. **Attaching Top Rail and Top Rail Cover**

See instructions on page 82. Note: Top Bracket Covers are not attached in this configuration.

10. **Attaching 2" x 4" (51 mm x 102 mm) to Top Rail**

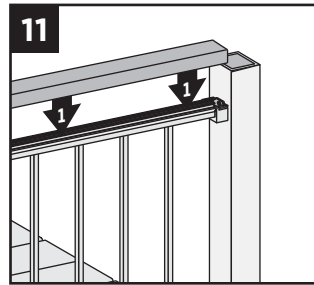
Measure between posts and cut 2" x 4" (51 mm x 102 mm) to length.



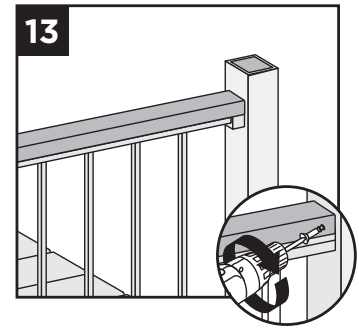
## HOW TO INSTALL SIGNATURE TRADITIONAL RAILING/CONTINUED

### TREX SIGNATURE

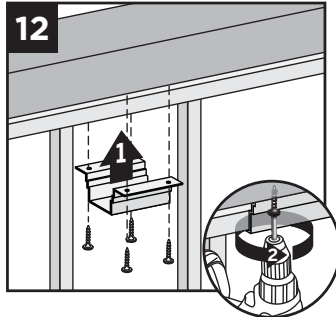
11. Place 2" x 4" (51 mm x 102 mm) on Signature top rail.



13. Pre-drill a pilot hole and toenail 2-1/2" (6.4 cm) screw at each end of 2" x 4" (5.1 cm x 10.2 cm) into post on back side of rail (side not facing decking).



12. Secure 2" x 4" (51 mm x 102 mm) to top rail using Signature Cocktail Bracket (sold separately). Ensure that there is a bracket at each end of the railing section, then space brackets approximately every 24" and attach with 4 screws provided.



### 14. Attachment of Bottom Rail Bracket Covers and Caps

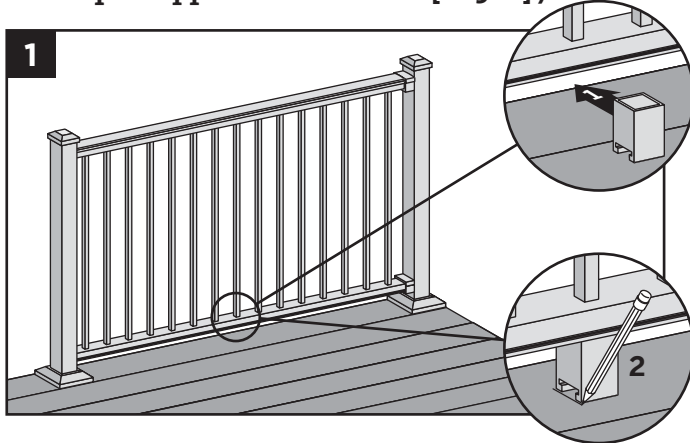
See instructions on page 83.

**NOTE:** Predrilling before attachment is recommended.

## HOW TO INSTALL FOOT BLOCKS-HORIZONTAL RAILING

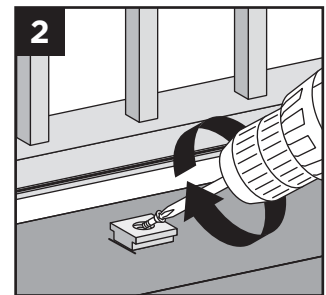
### TREX SIGNATURE

#### Attachment of Foot Block (Required ONLY for All Clear Span Applications Over 6' [1.83 m])



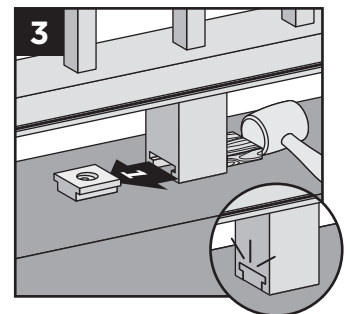
1. To ensure correct location, place foot block under center of bottom rail. Mark to provide placement location of base.

2. Place base (smaller side facing down) on decking surface. Attach base of foot block using one screw at an angle through base and into decking.



**NOTE:** Pre-drilling is recommended (1/8" [0.32 cm] drill bit) for attachment of base.

3. After attached, use a rubber mallet along with scrap piece of wood to tap foot block until it locks into place.

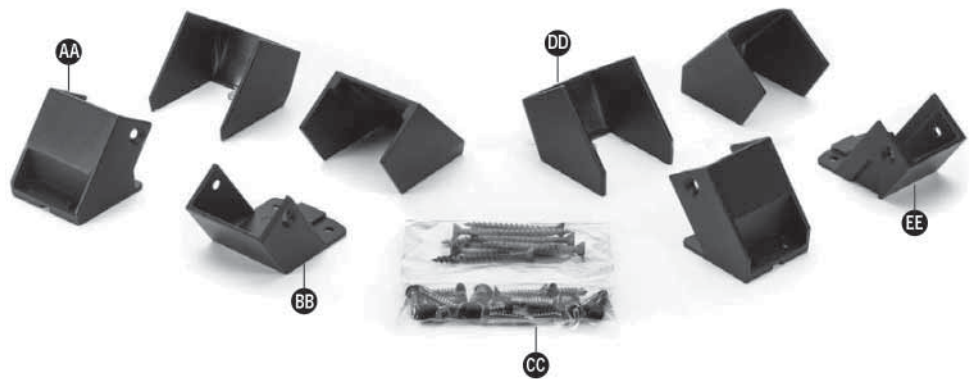


# BRACKET HARDWARE - STAIR APPLICATIONS (INCLUDING STAIR SWIVEL BRACKETS, STAIR CROSSOVER BRACKET, AND COMPOUND SWIVEL BRACKETS)

TREX SIGNATURE

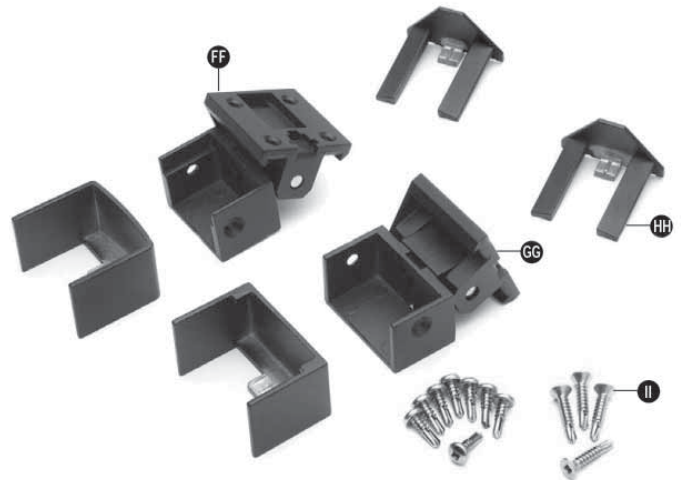
## FIXED BRACKET - STAIR HARDWARE

- AA. Bottom Stair Bracket and Cover – Lower Rail
- BB. Top Stair Bracket and Cover – Lower Rail
- CC. Fastener Pack
- DD. Bottom Stair Bracket and Cover – Upper Rail
- EE. Top Stair Bracket and Cover – Upper Rail



## SWIVEL BRACKET - STAIR HARDWARE

- FF. Swivel Top Rail Bracket and Cover – Stair
- GG. Swivel Bottom Rail Bracket and Cover – Stair
- HH. Fastener Covers
- II. Fastener Pack

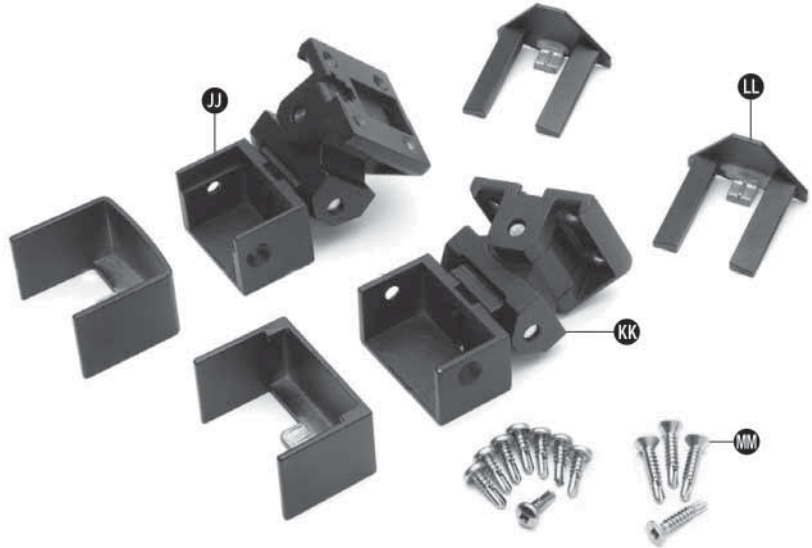


# BRACKET HARDWARE - STAIR APPLICATIONS (INCLUDING STAIR SWIVEL BRACKETS, STAIR CROSSOVER BRACKET, AND COMPOUND SWIVEL BRACKETS)/CONTINUED

TREX SIGNATURE

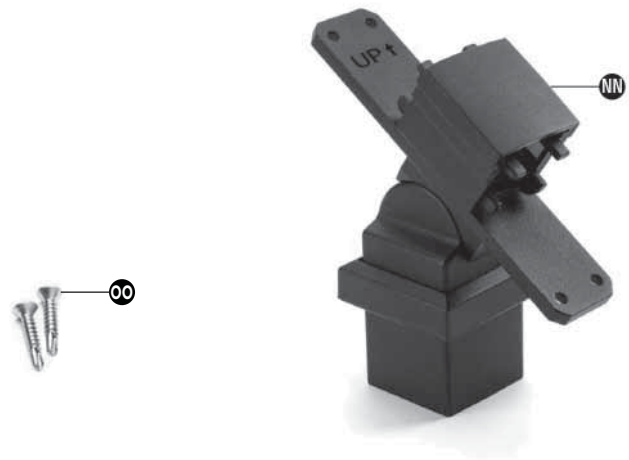
## COMPOUND SWIVEL BRACKET - STAIR HARDWARE

- JJ. Compound Swivel Top Rail Bracket and Cover – Stair
- KK. Compound Swivel Bottom Rail Bracket and Cover – Stair
- LL. Fastener Covers
- MM. Fastener Pack



## SWIVEL CROSSOVER BRACKET KIT - STAIR HARDWARE

- NN. Swivel Crossover Bracket – Stair
- OO. Post-to-Bracket Fasteners





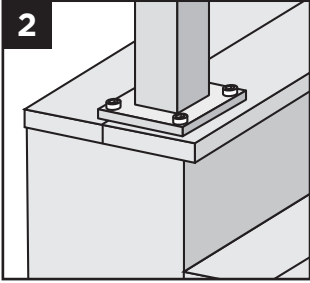
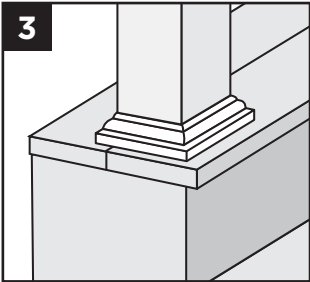
# HOW TO INSTALL SIGNATURE STAIR POSTS AND STAIR RAILING

TREX SIGNATURE

## IMPORTANT NOTES:

- » SIGNATURE POSTS CANNOT BE USED WITH SIGNATURE TRADITIONAL OR SIGNATURE COCKTAIL STAIR DESIGNS, ONLY PRESSURE-TREATED POST/POST SLEEVES CAN BE USED. REFER TO DETAILED INSTRUCTIONS FOR MORE INFORMATION.
- » ALL SIGNATURE STAIR INSTALLATIONS REQUIRE THE USE OF 53" (134.6 CM) STAIR POST, MEASURED AND CUT TO APPROPRIATE LENGTH IF REQUIRED.
- » IF CROSSOVER STAIR POST IS REQUIRED, USE STAIR POST (AGAIN CUT TO APPROPRIATE LENGTH IF REQUIRED) AND USE SWIVEL CROSSOVER BRACKET.
- » SIGNATURE STAIR FIXED BRACKETS ARE DESIGNED TO WORK ONLY WITH STAIR SLOPES OF 32°-37°.
- » FOR SMALLER (LESS THAN 32°) OR LARGER ANGLES (GREATER THAN 37°), USE THE SIGNATURE STAIR SWIVEL BRACKETS.
- » SIGNATURE COMPOUND SWIVEL STAIR BRACKETS ARE DESIGNED FOR FLARED STAIR DESIGNS.
- » IF INSTALLING STAIR RAILINGS AT EXACT SPAN LENGTHS OF 6' (1.8 M) OR 8' (2.4 M) AND USING POST TO POST CONFIGURATION, THE BOTTOM STAIR RAIL WILL NOT NEED TO BE CUT\*, BUT THE TOP STAIR RAIL WILL NEED TO BE MEASURED (MAKING SURE BALUSTERS LINE UP VERTICALLY) AND CUT.
- » IF INSTALLING STAIR RAILINGS AT EXACT SPAN LENGTHS OF 6' (1.8 M) OR 8' (2.4 M), AND USING CROSSOVER POST CONFIGURATION (SPANS FROM ONE CROSSOVER POST TO ANOTHER CROSSOVER POST), BOTH THE BOTTOM AND TOP STAIR RAILS WILL NOT NEED TO BE CUT\* IF THE ANGLE IS APPROXIMATELY 34°.
- » AT ALL FINAL END POST CONFIGURATIONS, TOP STAIR RAIL WILL NEED TO BE MEASURED (MAKING SURE BALUSTERS LINE UP VERTICALLY) AND CUT.
- » FOR ODD SPAN LENGTHS, BOTH BOTTOM AND TOP STAIR RAILS WILL NEED TO BE MEASURED (MAKING SURE BALUSTERS LINE UP VERTICALLY) AND CUT. ALSO ENSURE THAT BALUSTERS ARE SPACED WITH EQUAL DISTANCE ON EACH SIDE OF THE POST.
- » RAILS THAT DO NOT REQUIRE CUTTING MUST BE ORIENTED IN THE CORRECT DIRECTION TO ENSURE BALUSTERS ARE SPACED PROPERLY WHEN INSTALLED IN BRACKETS. ON BOTH BOTTOM AND TOP STAIR RAILINGS, BALUSTER HOLE CLOSEST TO THE END OF THE EACH STAIR RAIL IS TO BE INSTALLED AT THE TOP OF THE STAIR SECTION. ENSURE THAT BOTH BOTTOM AND TOP RAILS ARE CORRECT AND BALUSTERS LINE UP VERTICALLY BEFORE INSTALLING.

## Installing Standard Signature Stair Posts, Signature Stair Crossover Posts, or Pressure-treated Post, Post Sleeves and Skirts

1. Make sure 53" (135.6 cm) posts are used for all stair posts.
2. If Signature stair posts are used, install at nose of stair tread directly under required blocking. See *Signature horizontal post instructions* on pages 74–75 for details.
 
3. If pressure-treated post/post sleeves are used, posts are to be installed to the inside of the last stair stringer (rails must be over decking surface). See *pressure-treated post instructions* on pages 74–75 for details.
 

**NOTE:** Construction methods are always improving. Please refer to [www.trex.com](http://www.trex.com) for the most up-to-date installation requirements.

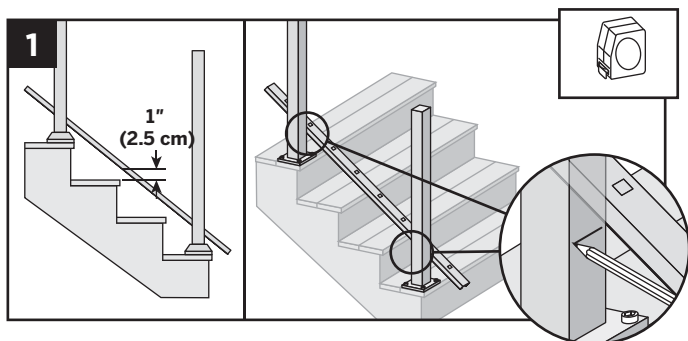


# ATTACHING STAIR BRACKETS (FIXED STAIR, STAIR SWIVEL, AND COMPOUND SWIVEL) TO SIGNATURE POSTS AND PRESSURE-TREATED POST AND POST SLEEVES

TREX SIGNATURE

## NOTES:

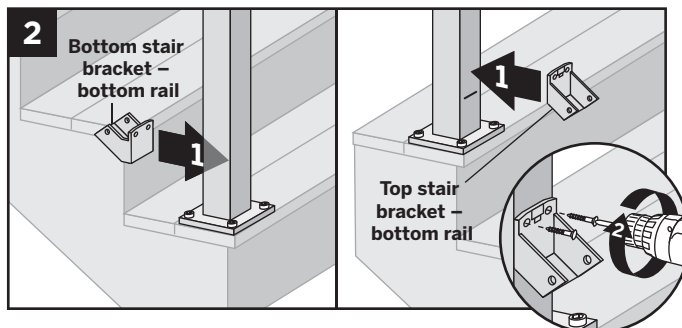
- » All Signature fixed stair brackets work **ONLY** with stair slopes of 32°-37°.
- » Illustrations shown are representations when using Signature post, but same rules apply if using pressure-treated posts and post sleeves.
- » Use a clamp to help hold stair brackets in place while fastening with screws.
- » **IMPORTANT NOTE: BEFORE ATTACHING ANY UPPER BRACKETS MAKE SURE PROPER RAILING HEIGHTS ARE ACHIEVED. RAILING HEIGHTS AND UPPER BRACKET HEIGHTS MAY NEED TO BE ADJUSTED, HOWEVER, DO NOT REDUCE HEIGHTS BASED ON YOUR RAILING CODE REQUIREMENTS. MEASURE CAREFULLY as dimension heights may need to be adjusted!**



1. Lay bottom stair rail on steps beside posts. Position bottom rail at least 1" (2.5 cm) **above** nose of stair tread.

**TIP:** Use a 1" (2.5 cm) deck board as a spacer board and clamp rails to post. Mark where lower brackets are to be attached to both posts. Mark at underside of railing location.

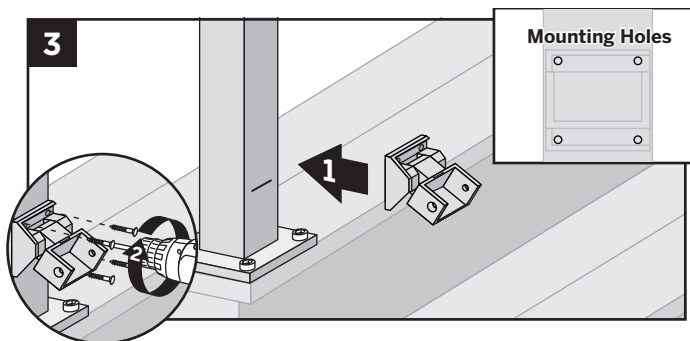
## Installing Lower Fixed Stair Brackets



2. Center lower stair bracket on post above the marked line and attach using two self-tapping screws (*provided*). In some cases it may be difficult to attach the stair bracket on the lower stair post. Recommend using a 90° cordless drill in this area if possible to attach screws.

## Installing Lower Stair Swivel and Compound Swivel Brackets

**NOTE:** Picture reflects lower stair swivel bracket.

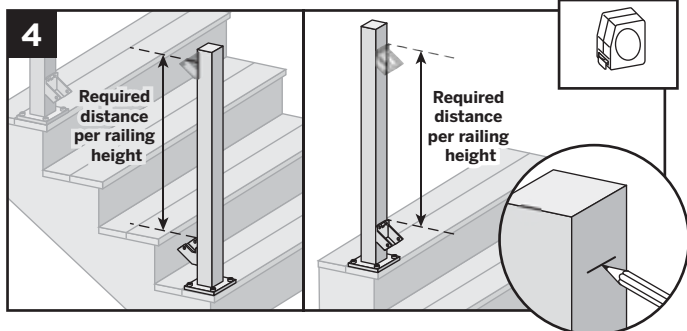


3. Center lower stair swivel bracket on post above the marked line and attach using four self-tapping screws (*provided*). In some cases it may be difficult to attach the stair bracket on the lower stair post. Recommend using a 90° cordless drill in this area if possible to attach screws.

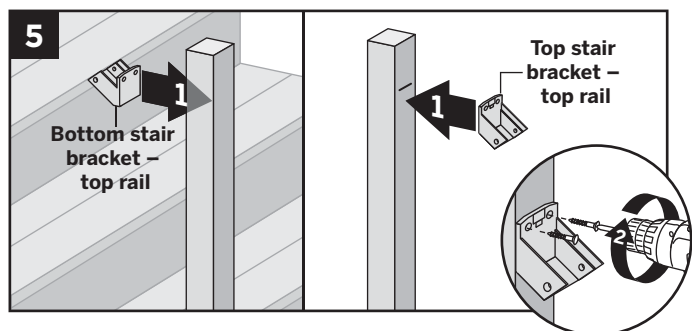
# ATTACHING STAIR BRACKETS (FIXED STAIR, STAIR SWIVEL, AND COMPOUND SWIVEL) TO SIGNATURE POSTS AND PRESSURE-TREATED POST AND POST SLEEVES/CONTINUED

TREX SIGNATURE

## Installing Upper Fixed Stair Brackets



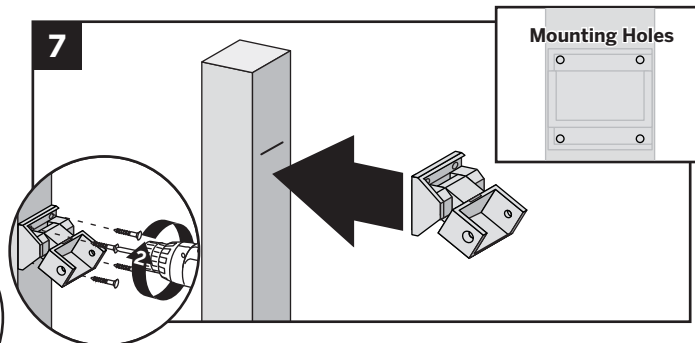
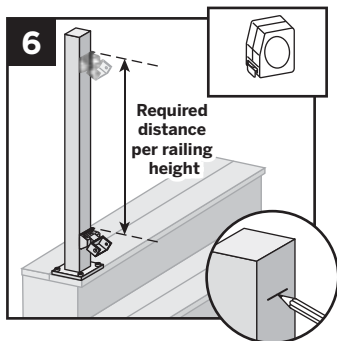
4. Measure up required dimension for 36" (91.4 cm) tall railing or 42" (106.7 cm) tall railing, from top of lower stair rail fixed bracket. Mark with light line.



5. Center upper stair fixed bracket on post **below** the marked line and attach using two self-tapping screws (*provided*).

## Installing Upper Stair Swivel And Compound Swivel Brackets

6. Measure up required dimension for 36" (91.4 cm) tall railing or for 42" (106.7 cm) tall railing, from top of lower stair rail swivel bracket. Mark with light line.

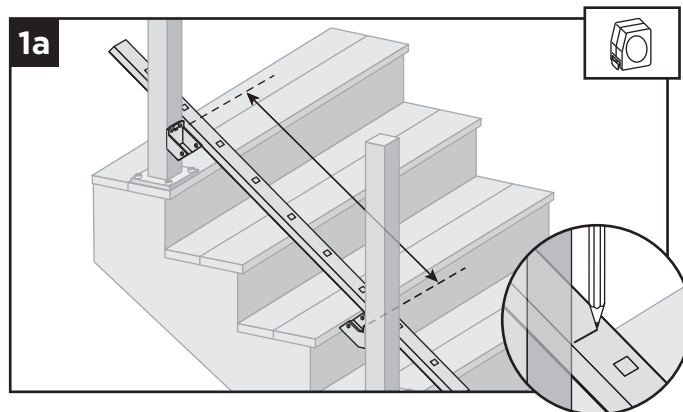


7. Center upper stair swivel bracket on post **below** the marked line and attach using four self-tapping screws (*provided*).

**NOTE: Upper bracket is not required on crossover post configurations.**

## How to Measure Bottom Stair Railings (WHEN REQUIRED)

### When Using Fixed Stair Brackets:

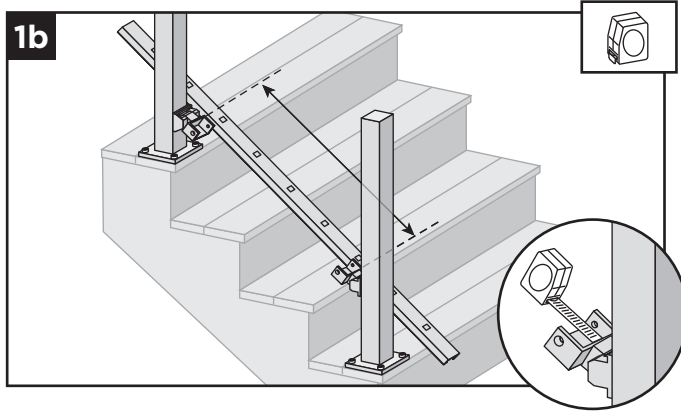


- 1a. Position bottom stair rail along the nose of the stair treads. Ensure that before cutting, balusters holes are centered in between the posts and also allow for clearance for attachment to brackets. Mark bottom stair rail at each intersection.

# ATTACHING STAIR BRACKETS (FIXED STAIR, STAIR SWIVEL, AND COMPOUND SWIVEL) TO SIGNATURE POSTS AND PRESSURE-TREATED POST AND POST SLEEVES/CONTINUED

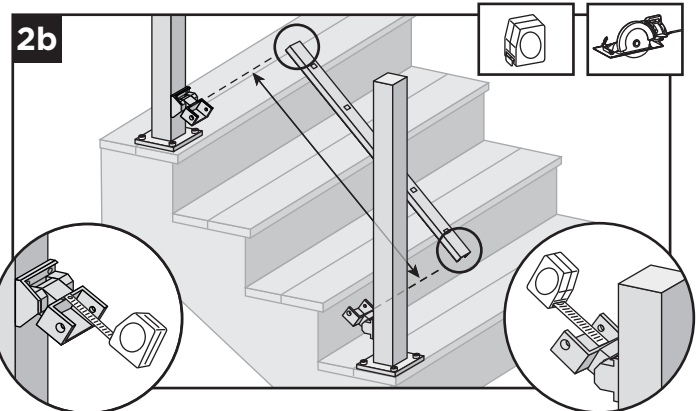
TREX SIGNATURE

## When using Stair Swivel and Compound Swivel Brackets:



1b. With brackets in correct swivel locations, measure distance from inside of swivel bracket to inside of swivel bracket. Ensure that before cutting, balusters holes are parallel and centered in between the posts and also allow for clearance for attachment to brackets. Mark bottom stair rail at each intersection.

## When using Stair Swivel or Compound Swivel Brackets:

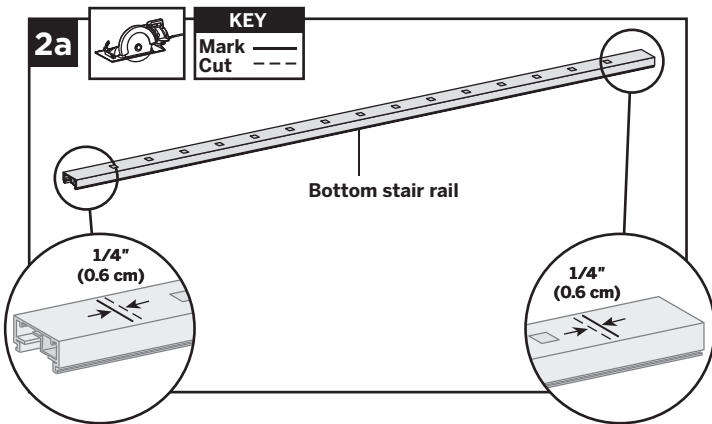


2b. Cut each end of the bottom rail, rail insert, and bottom rail cover at the mark on each end to allow for fit into bottom stair rail brackets.

**NOTE: Railing does not need to be cut at angle. Brackets are designed to allow for railing to be installed with standard straight cut.**

## Cutting Bottom Stair Rail, Bottom Stair Rail Cover, and Attachment of Bottom Stair Rail Cover

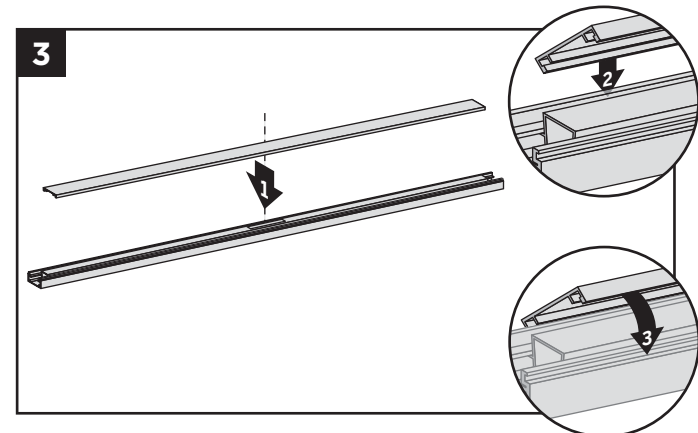
### When using Fixed Stair Brackets:



2a. Cut each end of the bottom stair rail, rail insert, and bottom rail cover 1/4" (0.6 cm) shorter than the mark on each end to allow for fit into bottom stair rail brackets.

**NOTE: Railing does not need to be cut at angle. Brackets are designed to allow for railing to be installed with standard straight cut.**

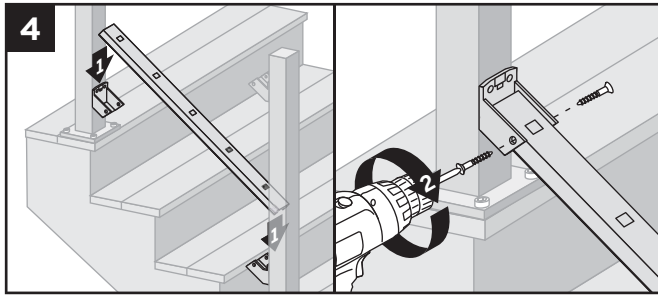
## Attachment of Bottom Stair Rail Cover and Bottom Stair Rail to Brackets



3. Attach "flat" bottom stair rail cover to bottom stair rail. Align cover on one side of the bottom rail in slot on side of rail. Then starting from one end of rail snap cover onto opposing slot working down the length of the rail. In some cases, a **rubber mallet** may facilitate the fastening using **GENTLE** tapping.

# ATTACHING STAIR BRACKETS (FIXED STAIR, STAIR SWIVEL, AND COMPOUND SWIVEL) TO SIGNATURE POSTS AND PRESSURE-TREATED POST AND POST SLEEVES/*CONTINUED*

TREX SIGNATURE



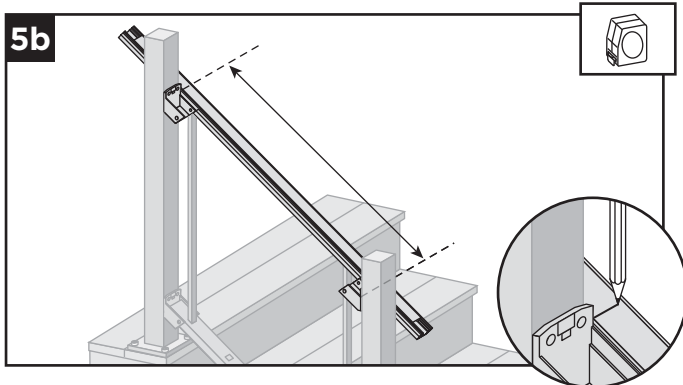
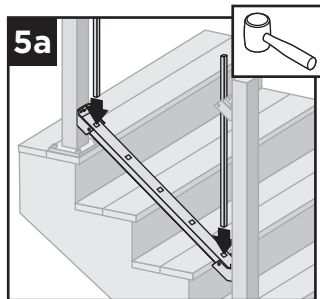
4. Set bottom stair rail into bottom stair rail brackets. Attach bottom stair rail to bottom stair bracket using two self-tapping screws (*provided*) on each side of bracket.

## How to Measure Top Stair Railings (WHEN REQUIRED):

**IMPORTANT NOTE: BEFORE CUTTING ANY TOP RAILS MAKE SURE THAT WHEN MEASURING ALL BALUSTER HOLES LINE UP PARALLEL!**

### When Using Fixed Stair Brackets:

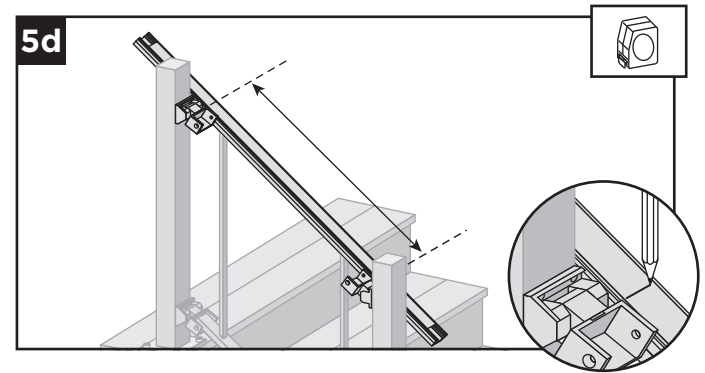
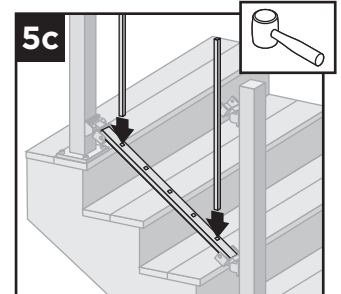
- 5a. Place two balusters into lower rail at each end closest to post.



- 5b. Position top rail onto balusters (position to side of post) and ENSURE that balusters are parallel with post. Mark top stair rail at each intersection.

### When using Stair Swivel and Compound Swivel Brackets:

- 5c. Place two balusters into lower rail at each end closest to post.

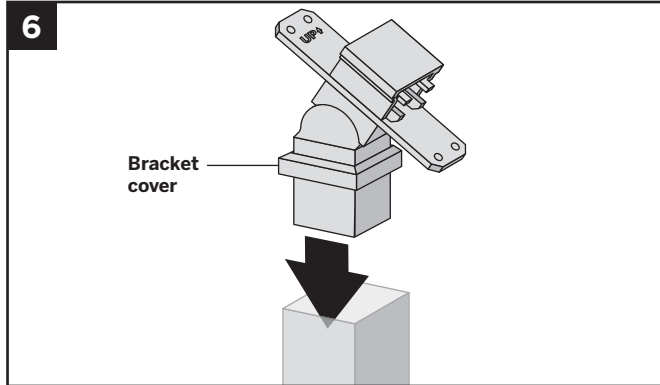


- 5d. Position top rail onto balusters (position to side of post) and ENSURE that balusters are parallel with post. With brackets in correct swivel location, measure distance from inside of swivel bracket to inside of swivel bracket. Mark top stair rail at each intersection.

# ATTACHING STAIR BRACKETS (FIXED STAIR, STAIR SWIVEL, AND COMPOUND SWIVEL) TO SIGNATURE POSTS AND PRESSURE-TREATED POST AND POST SLEEVES/CONTINUED

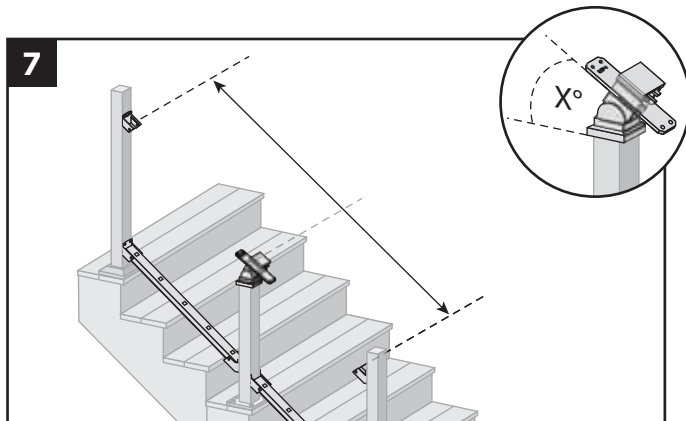
TREX SIGNATURE

## Attaching Stair Crossover Swivel Bracket to Post

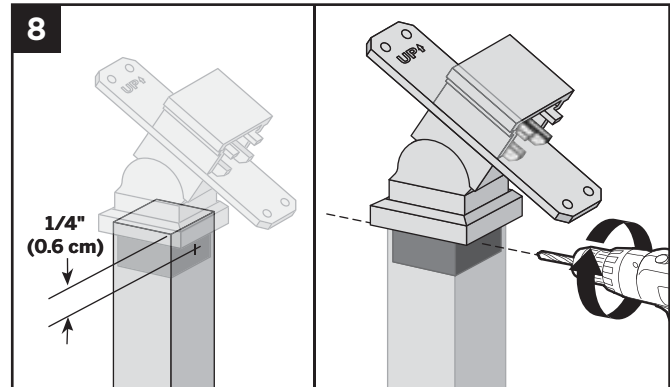


6. Insert stair crossover swivel bracket into post.

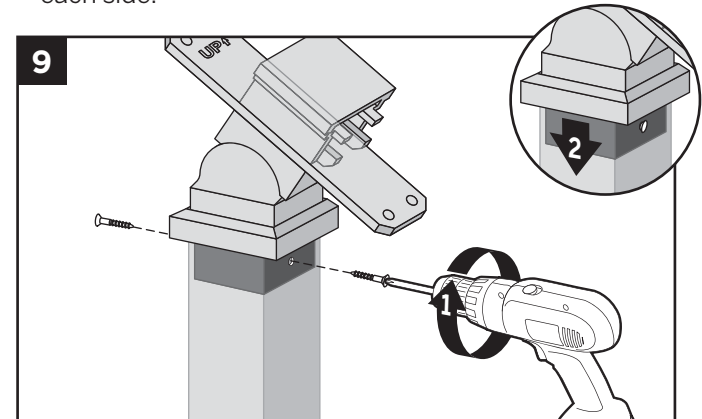
**NOTE: Keep the bracket cover on when inserting this into post, this will cover the screw attachment area.**



7. Determine location/height of the stair crossover swivel bracket by aligning the angle of this with the fixed brackets (or compound swivel brackets) already installed.



8. Once location/height is determined, center and pre-drill two holes (using a drill bit slightly smaller than that of self-tapping screw diameter) on opposite sides of post, approx. 1/4" from top of post. Drill through the post and into the stair crossover swivel bracket on each side.



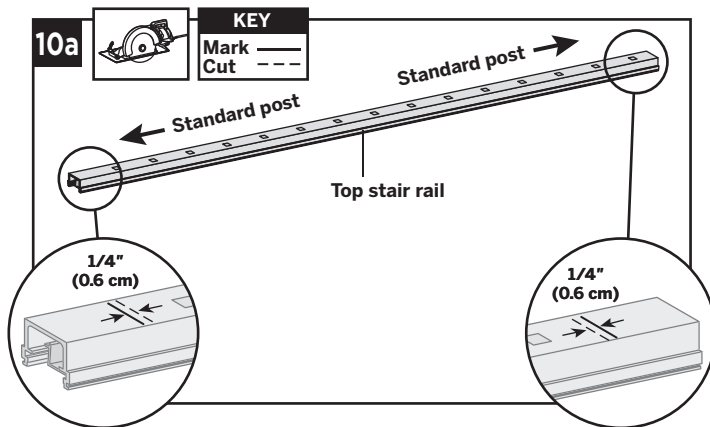
9. Attach stair crossover swivel bracket to post with two self-tapping screws (provided). Slide cover over post to hide screws.

# ATTACHING STAIR BRACKETS (FIXED STAIR, STAIR SWIVEL, AND COMPOUND SWIVEL) TO SIGNATURE POSTS AND PRESSURE-TREATED POST AND POST SLEEVES/CONTINUED

TREX SIGNATURE

## Cutting Top Stair Rail and Rail Insert Option 1: For Stair-Post-to-Stair-Post Configuration

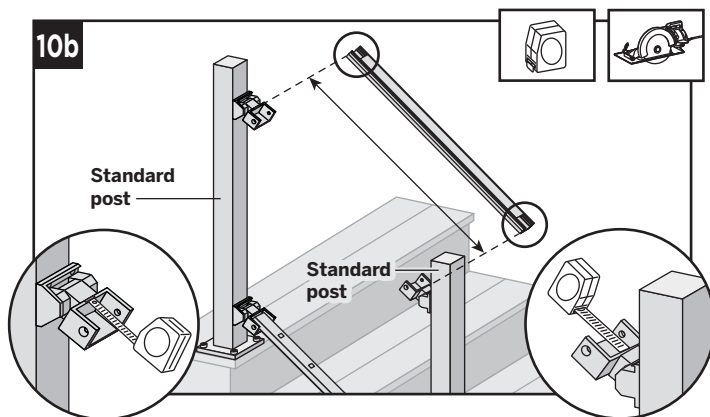
When Using Fixed Stair Brackets:



10a. Cut each end of top stair rail along with rail insert 1/4" (0.6 cm) shorter than mark to allow for fit into top stair rail bracket.

**NOTE: Railing does not need to be cut at angle. Brackets are designed to allow for railing to be installed with standard straight cut.**

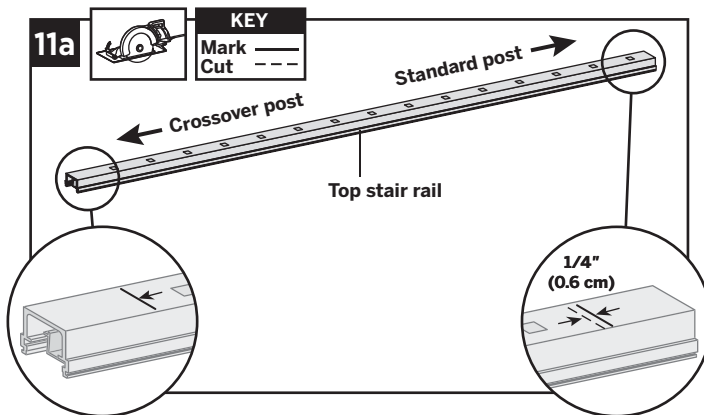
## When using Upper Stair Swivel and Compound Swivel Brackets:



10b. Cut top rail along with rail insert to the measurement between the top stair swivel brackets. For standard post to standard post configurations this would be same dimensions as that of the bottom stair rail.

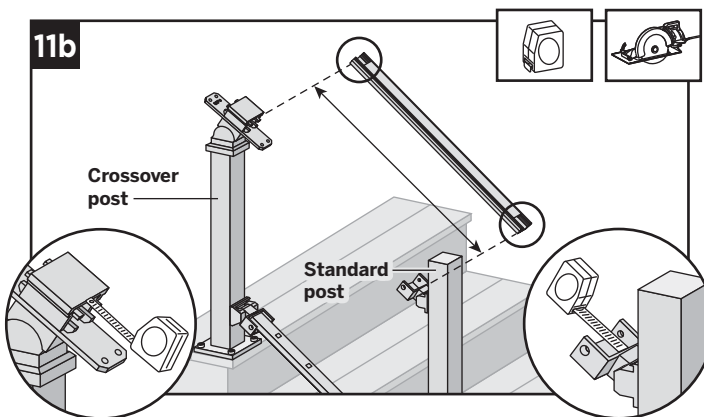
## Cutting Top Stair Rail and Insert Option 2: For Stair-Post-to-Stair-Crossover-Post Configuration

When Using Fixed Stair Brackets:



11a. Top stair rail along with rail insert must be cut differently on each side of the rail. Railing side that attaches to standard post should be cut 1/4" (0.6 cm) shorter than the mark to allow for fit into top rail bracket. Railing side that attaches to the crossover post should be cut directly on the mark to allow for fit into the crossover post bracket.

## When using Upper Stair Swivel and Stair Crossover Swivel Brackets:

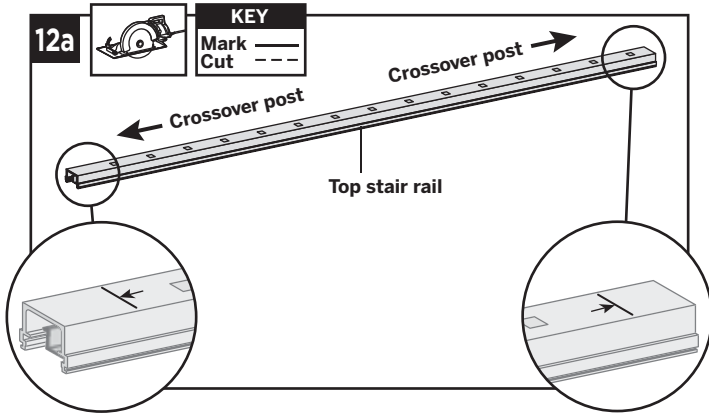


11b. When going from standard stair post to stair crossover post, measurement must be taken from inside of top horizontal stair swivel bracket to inside lip of stair crossover bracket (crossover post will need to be modified to have swivel crossover bracket installed).

# ATTACHING STAIR BRACKETS (FIXED STAIR, STAIR SWIVEL, AND COMPOUND SWIVEL) TO SIGNATURE POSTS AND PRESSURE-TREATED POST AND POST SLEEVES/CONTINUED

TREX SIGNATURE

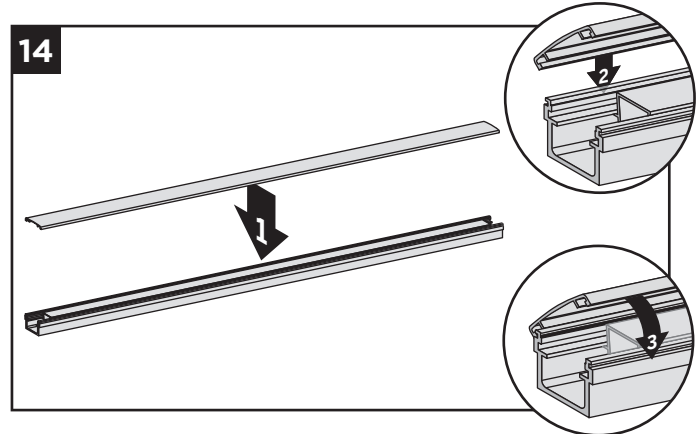
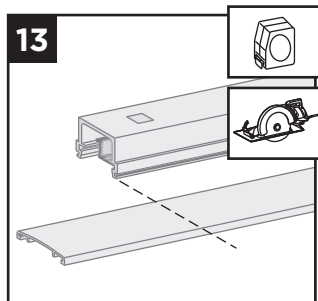
## Cutting Top Stair Rail and Rail Insert Option 3: For Stair-Crossover-Post-to-Stair-Crossover-Post Configuration



12a. Cut each end of the top stair rail along with rail insert on the mark line to allow for fit into the crossover post bracket on each side.

## Cutting Top Stair Rail Cover, and Attachment of Top Stair Rail Cover

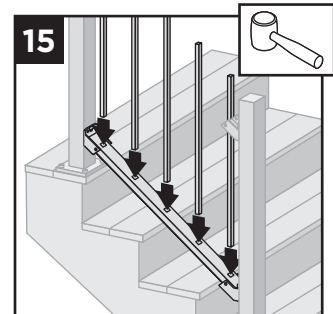
13. Mark and cut top rail cover same length as top rail for all top rail configurations.



14. Attach "crowned" upper stair rail cover to upper stair rail by aligning cover on one side of rail. Then starting from one end of stair rail, snap cover onto opposing slot working down length of stair rail. A **rubber mallet** may facilitate the fastening using **GENTLE** tapping.

## Installing Balusters into Bottom Stair Rail

15. Place balusters into holes in lower stair rail by snapping fully into place. In some cases, a **rubber mallet** may facilitate the fastening using **GENTLE** tapping.



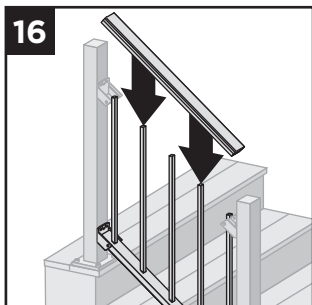


# ATTACHING STAIR BRACKETS (FIXED STAIR, STAIR SWIVEL, AND COMPOUND SWIVEL) TO SIGNATURE POSTS AND PRESSURE-TREATED POST AND POST SLEEVES/CONTINUED

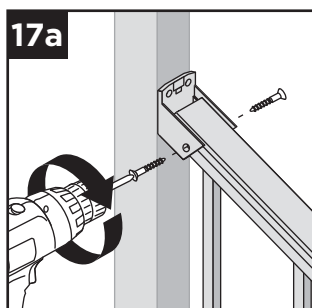
TREX SIGNATURE

## Attaching Upper Stair Rails

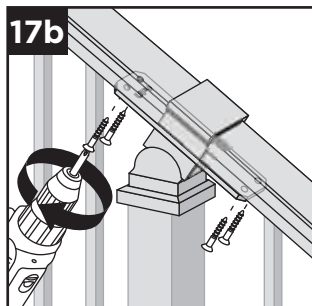
16. Working from one end of upper stair rail, snap balusters into upper stair rail working down length of rail.



17a. For stair post to post configuration, attach top stair rail to top stair bracket (all types) using two self-tapping screws (provided) on each side of stair bracket.

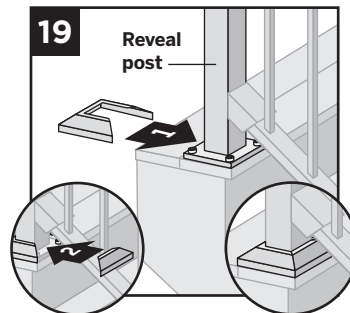
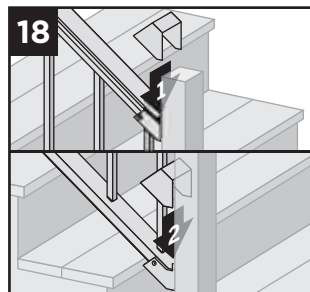


17b. For stair crossover post configuration, fasten upper stair rail to swivel crossover post bracket by installing screws diagonally through crossover stair bracket into upper rail using two self-tapping screws (provided) on each side.



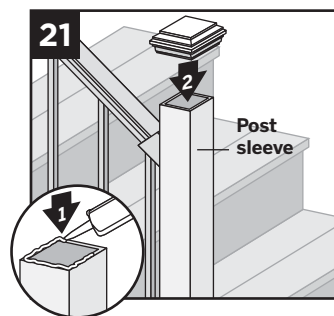
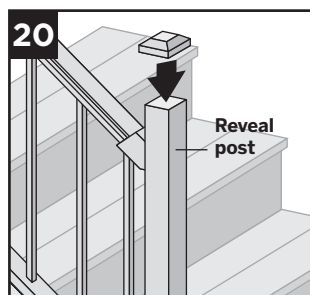
**NOTE: Pre-drilling is recommended (7/64" [0.28 cm] drill bit) for attachment of stair railing to stair bracket.**

## Attachment of Stair Bracket Covers, Skirts, and Caps



18. Attach corresponding bracket covers over opening in upper and bottom rails.

19. Attach provided post skirt to bottom of posts when using Signature posts.

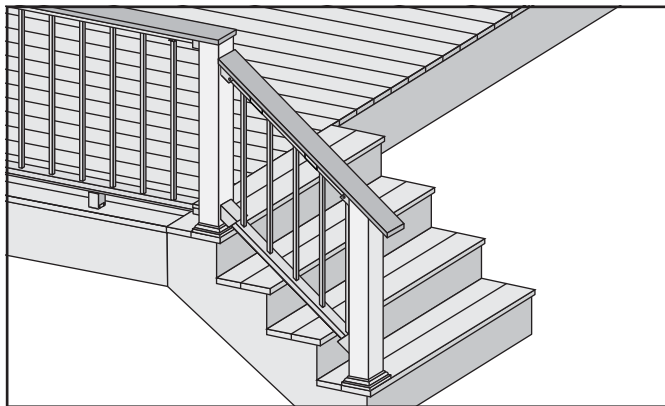


20. Attach post caps to Signature posts (use of **rubber mallet** may be required for secure attachment).

21. Attach post caps to post sleeves using external grade PVC construction adhesive.

# HOW TO INSTALL SIGNATURE COCKTAIL STAIR RAILING

TREX SIGNATURE



## IMPORTANT NOTES:

- » Only for use with pressure-treated 4 x 4 post (3.5" nominal square) and 4" x 4" (102 mm x 102 mm) post sleeve. Trex Signature posts, Trex post mounts or joist mount posts cannot be used with Signature Cocktail stair railing. Cutting post and post sleeve only apply to the Cocktail style railing.
- » DO NOT CUT POST/POST SLEEVES UNTIL TOP RAILING AND COVER IS FULLY INSTALLED.
- » When referring to previous instructions referenced disregard all crossover post instructions as these cannot be used with Cocktail railing.
- » THE DECK BOARD USED IN SIGNATURE COCKTAIL WILL NEED TO TERMINATE AT THE TOP OF THE POST AS SHOWN ABOVE. THE DECK BOARD WILL HAVE TO BE TOENAILED INTO THE SIDE OF THE POST IN THESE AREAS USING 2 APPROPRIATE COMPOSITE DECKING SCREWS – PREDRILLING IS RECOMMENDED.

## Installing Pressure-treated Posts, Post Sleeves, and Skirts to Use with Signature Railing

1. See instructions on page 74.

## Installing Brackets

2. Follow previous stair instructions for the installation of desired brackets making sure that all dimensions are calculated before installation to ensure deck board is placed in correct location. See instructions on pages 93–94.

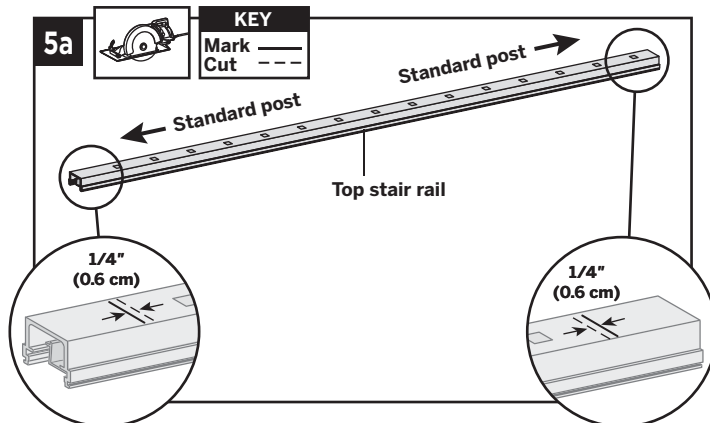
## Cutting Bottom Stair Rail, Bottom Stair Rail Cover and Attachment of Bottom Stair Rail Cover

3. See instructions on page 95.

## How to Measure Top Stair Railings (WHEN REQUIRED)

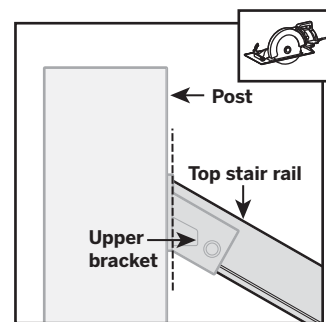
4. See instructions on page 96.

## Cutting Top Stair Rail and Rail Insert When using Fixed Stair Brackets



- 5a Cut each end of top stair rail along with rail insert 1/4" (0.6 cm) shorter than mark to allow for fit into top stair rail bracket.

NOTE THAT THE TOP RAIL WILL NEED TO BE CUT AT APPROPRIATE ANGLE ON THE END OF THE RAIL THAT CONNECTS TO THE UPPER FIXED BRACKET SO THAT WHEN THE RAIL IS INSTALLED IT SITS FLUSH WITH THE END OF THE BRACKET AS SHOWN.



## Cutting Top Stair Rail and Rail Insert When using Upper Stair Swivel and Compound Swivel Brackets

- 5b. See instructions on page 98.

## Cutting Top Stair Rail Cover, and Attachment of Top Stair Rail Cover

6. See instructions on page 99.

## Installing Balusters into Bottom Stair Rail

7. See instructions on page 99.

## Attaching Upper Stair Rails

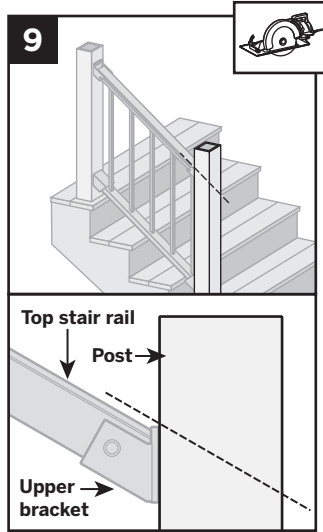
8. See instructions on page 100.

# HOW TO INSTALL SIGNATURE COCKTAIL STAIR RAILING

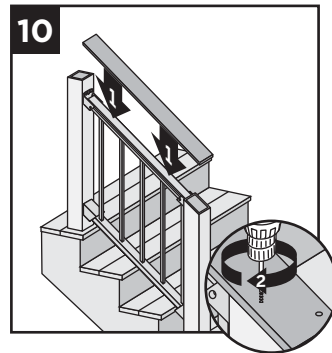
TREX SIGNATURE/CONTINUED

## Cutting Post and Post Sleeve and Attaching Deck Board to Top Rail

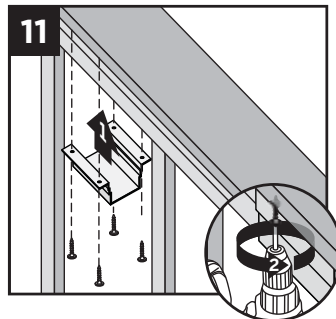
9. Cut post and post sleeves at proper angle so these are flush with the top of the top brackets and/or top rail cover. BE CAREFUL to not CUT brackets.



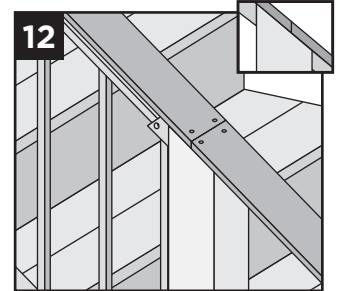
10. Place deck boards (**DO NOT** use Escapes or Contour deck boards for top rail) over top rails. PLACE DECK BOARD ON TOP RAIL TO CHECK FOR PROPER FIT AND RAIL CLEARANCE FIRST AT BRACKET LOCATIONS. DECK BOARD MAY REQUIRE EITHER A NOTCH CUT ON THE UNDERSIDE OR SLIGHT PLANING ON THE UNDERSIDE TO ALLOW DECK BOARD TO CLEAR TOPS OF BRACKETS AND SIT FLUSH ON TOP OF POSTS AND RAILS. Attach boards on each post with Trex-recommended composite screws (quantity of 2 per each board end).



11. Secure boards to top rail using Signature Cocktail Bracket (sold separately). Ensure that there is a bracket at each end of the stair railing section, then space brackets approximately every 24" and attach with 4 screws provided.



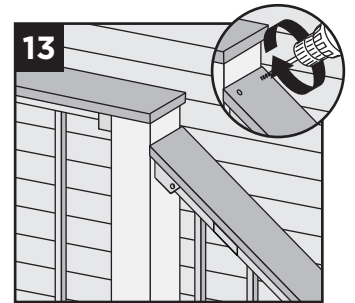
12. Use scarf cut for posts where two deck boards meet.



### NOTES:

- » If installing in weather below 40°F (4.5°C), leave 1/8" (3 mm) gap between deck boards.
- » Deck boards can overhang end of last post maximum 1/2" (13 mm).

13. Where deck board terminates at top of post horizontal deck board, PREDRILL and toenail two approved composite deck screws as shown into post, being careful to avoid hitting stair bracket.



### Attachment of Bracket Covers and Skirts

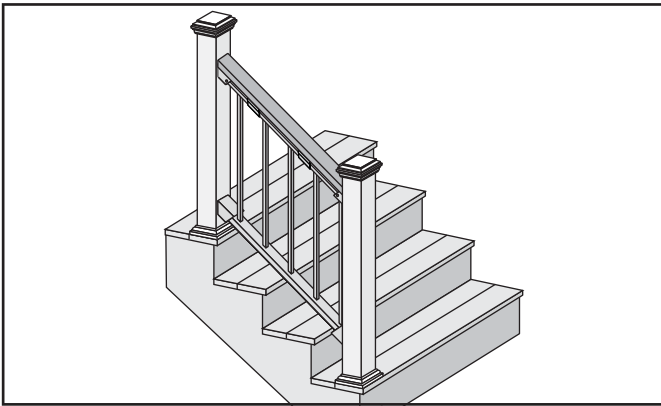
14. See instructions on page 100.

**NOTE:** Top Bracket Covers are not attached in this configuration.



# HOW TO INSTALL SIGNATURE TRADITIONAL STAIR RAILING

TREX SIGNATURE



**Important: ONLY** use for use with pressure-treated 4 x 4 post (3.5" nominal square) and 4" x 4" (102 mm x 102 mm) or 6" x 6" post sleeve. Trex Signature Posts, Trex Post Mounts or Joist Mount Posts cannot be used with Signature Traditional railing.

## Installing Standard Signature Stair Posts, or Pressure-treated Post

1. See instructions on page 92.

## Attaching Stair Brackets

2. See instructions on page 93.

## Installing Lower Fixed Stair Brackets

3. See instructions on page 93.

## Installing Lower Stair Swivel and Compound Swivel Brackets

4. See instructions on page 93.

## Installing Upper Fixed Stair Brackets

5. See instructions on page 94.

## Installing Upper Stair Swivel And Compound Swivel Brackets

6. See instructions on page 94.

## How to Measure Bottom Stair Railings When Using Fixed Stair Brackets

7. See instructions on page 94.

## How to Measure Bottom Stair Railings When using Stair Swivel and Compound Swivel Brackets

8. See instructions on page 95.

## Cutting Bottom Stair Rail, Bottom Stair Rail Cover

9. See instructions on page 95.

## Attachment of Bottom Stair Rail Cover and Bottom Stair Rail to Brackets

10. See instructions on page 95.

## How to Measure Top Stair Railings When Using Fixed Stair Brackets

11. See instructions on page 96.

## How to Measure Top Stair Railings When using Stair Swivel and Compound Swivel Brackets

12. See instructions on page 96.

## Cutting Top Stair Rail and Rail Insert When Using Fixed Stair Brackets

13. See instructions on page 98.

## Cutting Top Stair Rail and Rail Insert When using Upper Stair Swivel and Compound Swivel Brackets

14. See instructions on page 98.

## Attachment of Top Stair Rail Cover

15. See instructions on page 98.

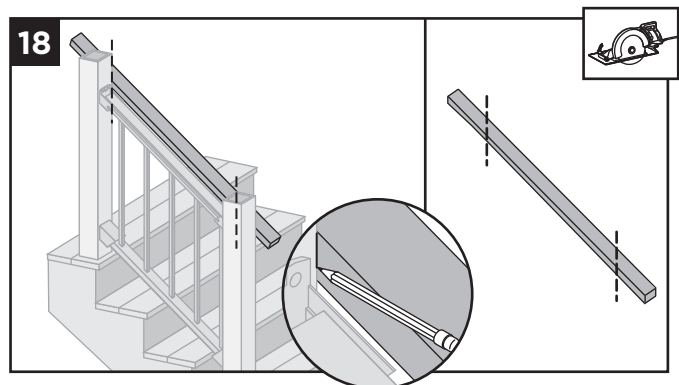
## Installing Balusters into Bottom Stair Rail

16. See instructions on page 99.

## Attaching Upper Stair Rails

17. See instructions on page 100.

## Attaching 2" x 4" to Top Rail

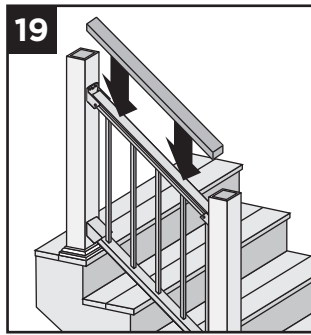


18. Place 2" x 4" (51 mm x 102 mm) beside top rail. Mark and cut (both ends need to be cut on an angle for proper fit).

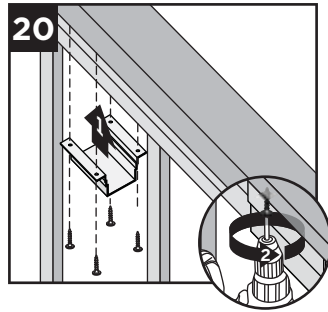
## HOW TO INSTALL SIGNATURE TRADITIONAL STAIR RAILING/CONTINUED

### TREX SIGNATURE

19. Place 2" x 4" (51 mm x 102 mm) on Signature top stair rail.

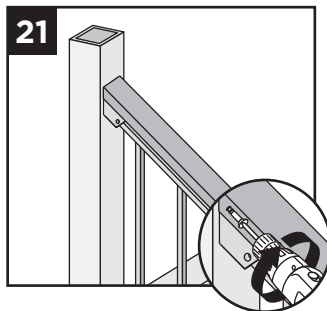


20. Secure 2" x 4" (51 mm x 102 mm) to top rail using Signature Cocktail Bracket (sold separately). Ensure that there is a bracket at each end of the railing section, then space brackets approximately every 24" and attach with 4 screws provided.



**NOTE:** *Predrilling before attachment is recommended.*

21. Pre-drill a pilot hole and toenail 2-1/2" (6.4 cm) screw at each end of 2" x 4" (5.1 cm x 10.2 cm) into post on back side of rail (side not facing decking).



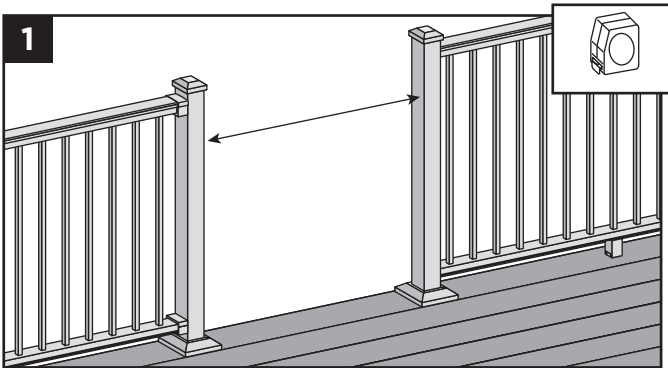
#### **Attachment of Lower Stair Bracket Covers, Skirts, and Caps**

22. See instructions on page 100.

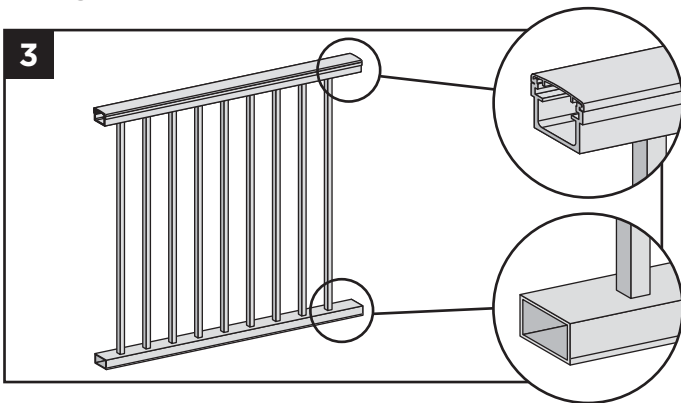
**NOTE:** *Top Bracket Covers are not attached in this configuration.*

# INSTALLING ALUMINUM GATE

» SEE PAGE 56 FOR SKU NUMBERS

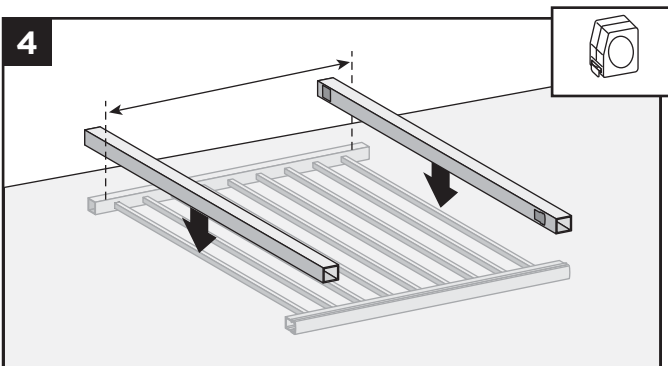


1. Measure opening between posts (gates can be customized to fit nearly any opening up to 48" [1219 mm] wide).
2. Subtract 1-7/8" (48 mm) from above measurement. This will allow for proper gapping and location of gate.

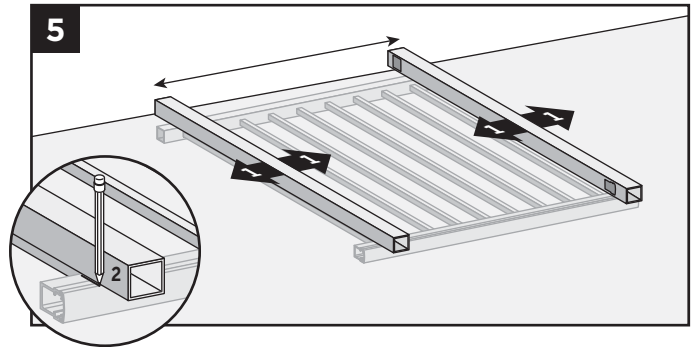


3. Identify top and bottom of panel.

**NOTE: The posts only fit in one direction.**

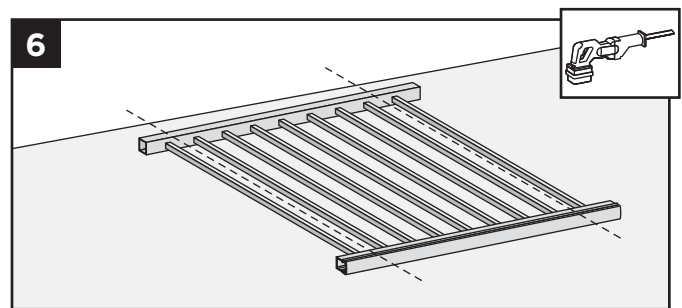


4. Lay panel on a flat non-marring surface. Place posts on top of panel. Place posts so that width measurement from Step 2 is to the outside of each post.

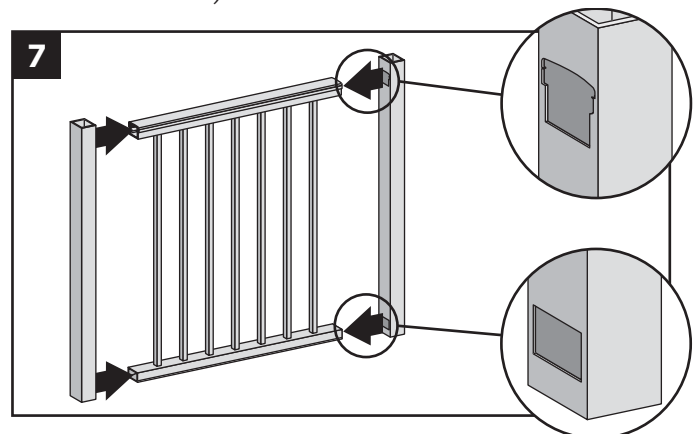


5. Adjust posts so that cut marks do not fall on a baluster. Make sure distance from first baluster to post is the same on both sides. Mark cut locations on panel.

**NOTE: If widths do fall on a baluster, cut baluster flush at top and bottom prior to cutting panel.**



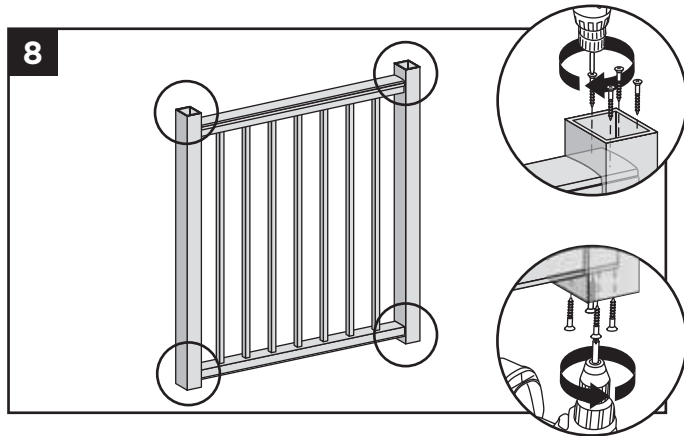
6. Cut panel using a reciprocating saw (equipped with a metal blade).



7. Insert posts into panel.

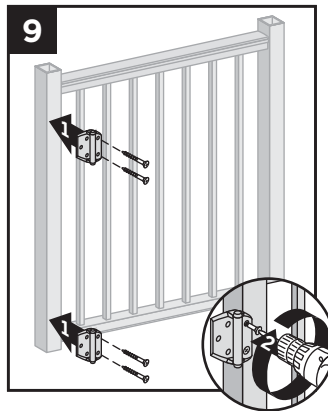
**NOTE: Make sure top and bottom of panel orientation is correct.**



# INSTALLING ALUMINUM GATE/CONTINUED



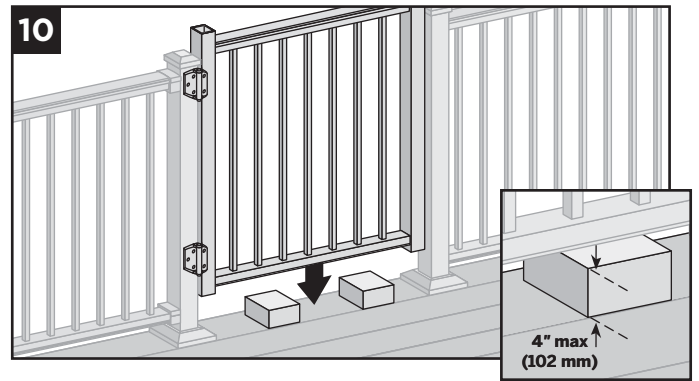
8. Secure posts to panel with four #8-18 short self-tapping screws (provided) in each location.
9. Attach shorter side of hinge to the gate.

**NOTE: Refer to instructions included in hardware package. Be sure to use correct fasteners for aluminum. See chart below.**



MINIMUM FASTENER SIZE		
SCREWS		
Type	Length	No.
Wood Screw 	2-1/2" (64 mm)	#9
Metal Screw 	2" (51 mm)	#8-18

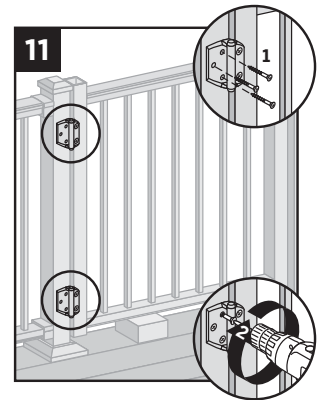
**NOTE: Use of non-Trex hardware is not recommended and could result in serious injury or death.**



10. Place gate in opening on blocks. Sweep between bottom of gate and top of deck cannot exceed 4" (102 mm) per IRC/IBC code regulations. Ensure bottom gate posts will be high enough to clear skirts on bottom of deck posts.
11. Make sure posts are plumb and gate is level. Attach longer side of hinges to post using appropriate hardware for type of post installed. Install hinge cover.

**NOTES:**

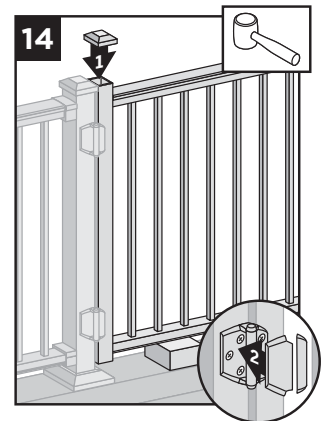
- » Both wood and aluminum screws are included in hardware kit. (Refer to chart under Step 9.)
- » If using Trex Post Mounts with Post Sleeves, pre-drilling is required using 1/8" (3 mm) drill bit, as you must go through both aluminum sleeve and internal post.



12. After determining location and height of hinge and hasp, install per instructions included with hardware kit.

13. Ensure proper operation of gate. Hinge tension is adjustable (check hardware kit instructions for more detail).

14. After gate installation, place blocks under gate for support. Use a rubber mallet to install cap onto gate post. Repeat for other gate post cap. Snap all hinge covers into place.

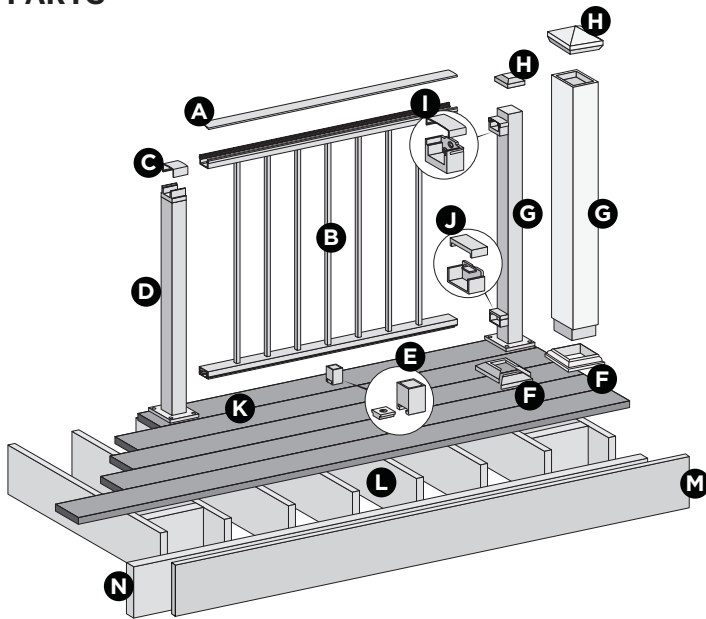


# TREX SIGNATURE (FORMALLY REVEAL) PANELS

## NOTES:

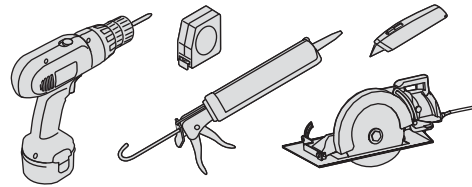
- » SIGNATURE RAILINGS ARE DESIGNED TO BE ATTACHED WITH POSTS INSTALLED AT A CLEAR SPAN OF 6' (1.83 M) OR 8' (2.44 M).
- » IF INSTALLING AT EXACT SPAN LENGTHS OF 6' (1.83 M) OR 8' (2.44 M), AND USING POST-TO-POST CONFIGURATION, THE BOTTOM RAIL WILL NOT NEED TO BE CUT, BUT THE TOP RAIL WILL NEED TO BE MEASURED AND CUT.
- » IF INSTALLING AT EXACT SPAN LENGTHS OF 6' (1.83 M) OR 8' (2.44 M), AND USING CROSSOVER POST CONFIGURATION (SPANS FROM ONE CROSSOVER POST TO ANOTHER CROSSOVER POST), BOTH THE BOTTOM RAIL AND TOP RAIL WILL NOT NEED TO BE CUT.
- » IN ADDITION, AT ALL FINAL END POST CONFIGURATIONS, TOP RAIL WILL NEED TO BE MEASURED AND CUT.
- » SEE INFORMATION WITHIN DETAILED INSTRUCTIONS FOR MORE INFORMATION.
- » SEE PAGE 54 FOR SKU NUMBERS.

## PARTS



- A. Signature upper rail cover\*
  - 6' (actual length 73-1/2" [1867 mm])
  - 8' (actual length 97-1/2" [2477 mm])
- B. Signature Panel (includes top and bottom railings and square balusters)
- C. Crossover bracket cover (supplied with crossover post)
- D. Signature crossover post\*\*
  - 36" (actual length 34-1/2" [876 mm])
  - 42" (actual length 40-1/2" [1029 mm])
- E. Signature foot block\*\*\*
- F. Signature post skirt or post sleeve skirt\*\*
- G. Signature post\*\*
  - 2-1/2"
  - 36" (actual length 37" [940 mm])
  - 42" (actual length 43" [1092 mm])
  - or Trex 4x4 post sleeve\*\*
    - 36" (actual length 39" [991 mm])
    - 42" (actual length 45" [1143 mm])
- H. Signature post cap or post sleeve cap\*\*

## TOOLS NEEDED



## NOTES:

- » Trex Assembled Signature Panels **DO NOT** come with foot blocks. You must purchase foot blocks separately. SKU – BKALFTBLK (one per panel required on spans greater than 6', see note below\*\*\*).
- » Trex Assembled Signature Panels **DO NOT** come with brackets and screws. You must purchase the horizontal rail hardware separately. SKU – BKFHBKTAL (one per panel).

- I. Signature upper rail bracket and cover
- J. Signature lower rail bracket and cover
- K. Trex decking
- L. Code-approved wood joist 2" x 8" (51 mm x 203 mm) or larger
- M. Trex™ Fascia
- N. Code-approved wood rim joist 2" x 8" (51 mm x 203 mm) or larger

\* Covers are slightly longer to accommodate crossover post applications.

\*\* Item not included in Signature Panel kits. Both 4" x 4" (102 mm x 102 mm) and 6" x 6" (152 mm x 152 mm) post sleeves are designed to fit over 4" x 4" pressure-treated post.

\*\*\* Required ONLY for all clear span applications over 6' (1.83 m) when fixed baluster is centered or unsupported spans greater than 5' (1.52 m). For example, if an 8' (2.44 m) panel is cut into a 5-1/2' (1.68 m) section, it would require a foot block due to the off-center placement of the fixed baluster.

**NOTE:** If installing 42" (1067 mm) railing, and using pressure-treated posts with Trex post sleeves, ensure that a longer pressure-treated post is used along with longer post sleeve, both cut to a height of 46" (1168 mm) from decking surface.

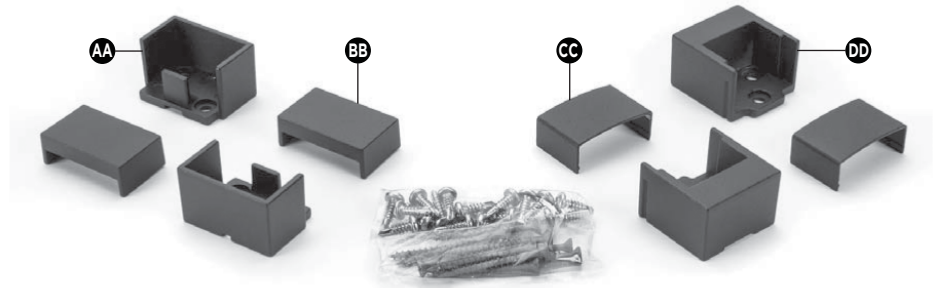




# BRACKET HARDWARE - HORIZONTAL APPLICATIONS (INCLUDING HORIZONTAL SWIVEL BRACKETS) TREX SIGNATURE

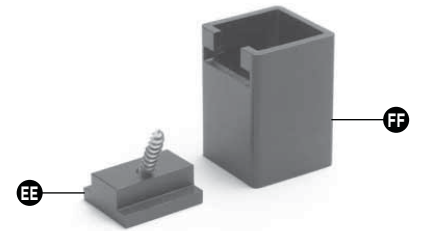
## HORIZONTAL RAILING HARDWARE

- AA. Lower rail bracket
- BB. Lower rail bracket cover
- CC. Upper rail bracket cover
- DD. Upper rail bracket



## FOOT BLOCK COMPONENTS

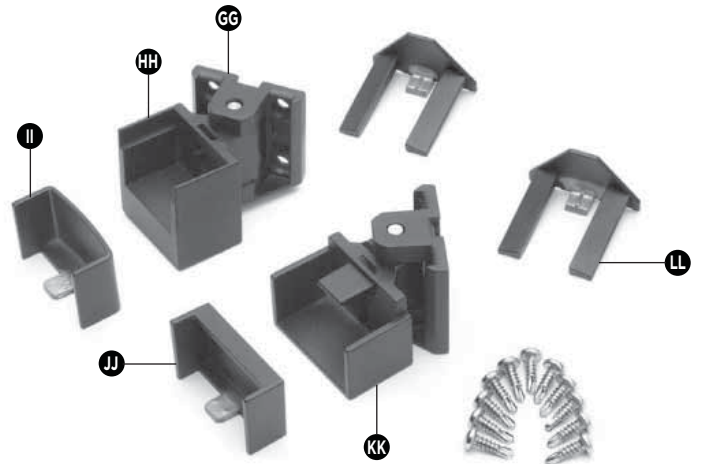
- EE. Foot block base
- FF. Foot block support



## HORIZONTAL SWIVEL HARDWARE

- GG. Swivel base
- HH. Horizontal swivel bracket top rail
- II. Horizontal swivel bracket top rail cover
- JJ. Horizontal swivel bracket bottom rail cover
- KK. Horizontal swivel bracket bottom rail
- LL. Swivel base cover

**NOTE:** For measurements and detailed horizontal swivel hardware installation instructions, please see the complete Signature installation section.

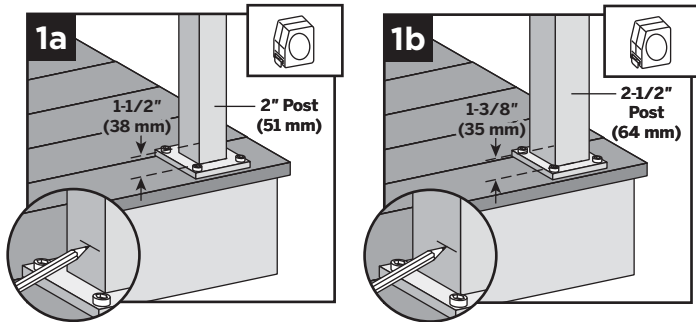


# HOW TO INSTALL PANELS

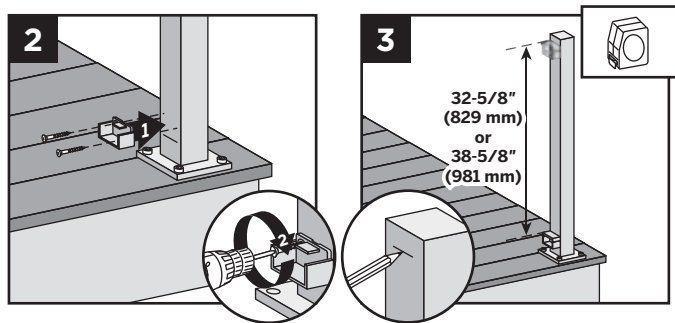
## TREX SIGNATURE

### Attach Brackets Using Signature Posts

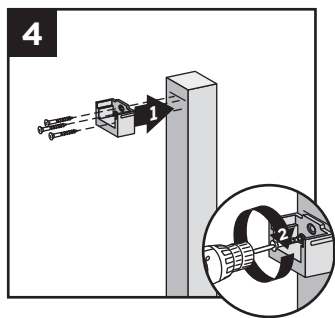
**TIP:** Use a clamp to help hold brackets in place while fastening with screws.



- 1a. When using 2" (51 mm) post, for both post-to-post and post-to-crossover post configurations, measure 1-1/2" (38 mm) up from top of post base plate (or 1-7/8" [48 mm] from decking surface). Mark with light line.
- 1b. When using 2-1/2" (64 mm) post, measure 1-3/8" (35 mm) from top of post base plate or 1-7/8" (48 mm) from decking surface. Mark with light line.



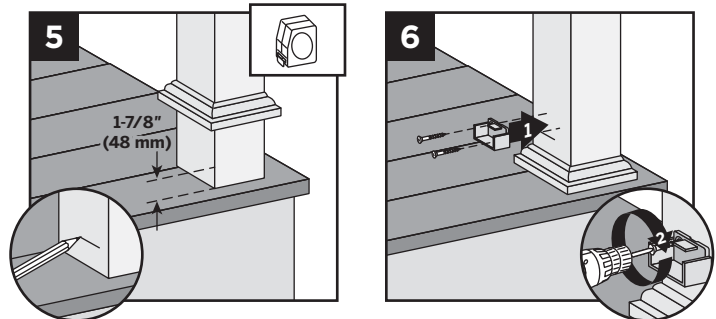
2. Center lower bracket on post **above** the marked line and attach using two self-tapping screws (*provided*).
3. Measure up 32-5/8" (829 mm) for 36" (914 mm) tall railing or 38-5/8" (981 mm) for 42" (1067 mm) tall railing from top of lower rail bracket. Mark with a light line.
4. Center upper bracket on post **below** marked line and attach using (3) self-tapping screws (*provided*).



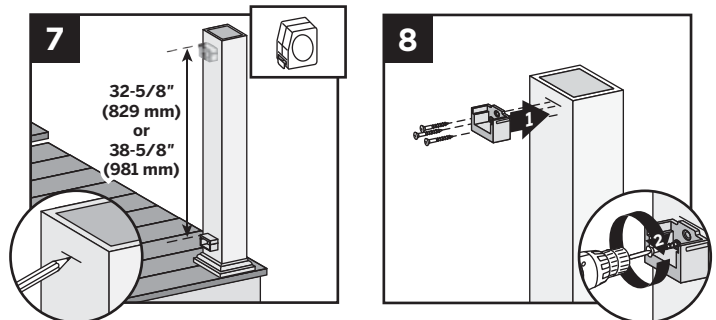
**NOTE:** Upper bracket is not required on crossover post configuration.

### Attach Brackets Using Pressure-Treated Posts and Post Sleeves

**TIP:** Use a clamp to help hold brackets in place while fastening with screws.



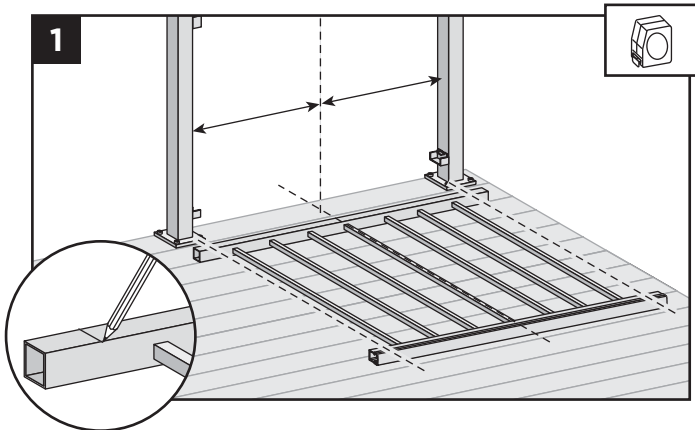
5. Measure 1-7/8" (48 mm) up from deck surface to bottom of bracket. Slide skirt up to allow for proper measurement, then push skirt back down onto surface of decking **BEFORE ATTACHING BRACKET**. Mark with light line.
6. Center lower bracket on post **above** the marked line and attach using two 2" (51 mm) wood screws (*provided*).



7. Measure up 32-5/8" (829 mm) for 36" (914 mm) tall railing or 38-5/8" (981 mm) for 42" (1067 mm) tall railing from top of lower rail bracket. Mark with a light line.
8. Center upper bracket on post **below** marked line and attach using three 2" (51 mm) wood screws (*provided*).

# HOW TO INSTALL PANELS/CONTINUED TREX SIGNATURE

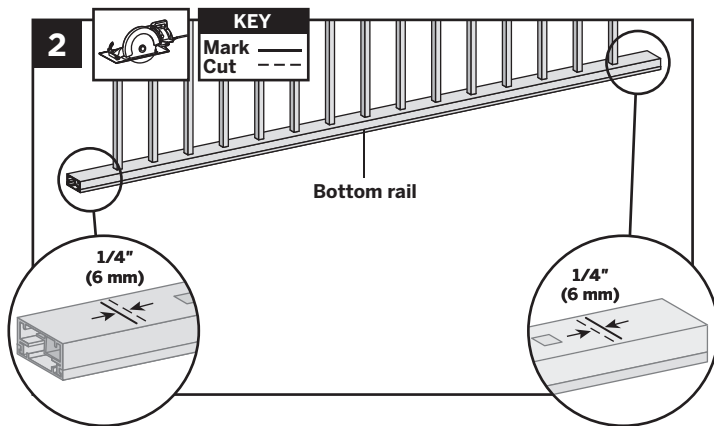
## How to Measure and Cut Bottom and Top Railings of Signature Panel (When REQUIRED)



1. Position panel between posts and align with bottom bracket. Align center baluster with middle of span between posts (this will allow for equal spacing between end balusters and each post). Mark bottom and top rail at each end.

**NOTE:** If the end balusters fall too close to the brackets, the center point can be adjusted one baluster to the left or right to allow more room.

### Cutting Bottom Rail

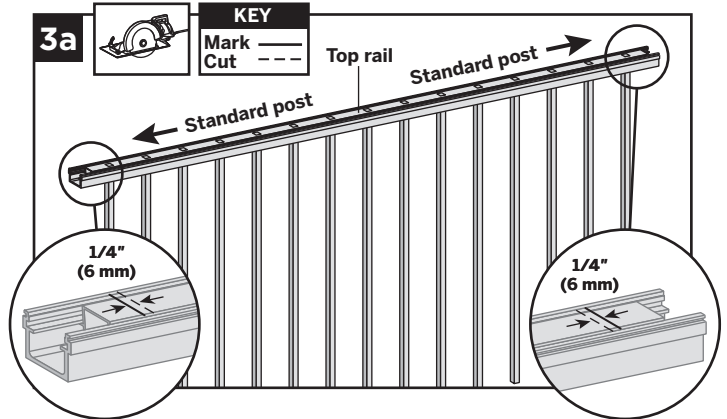


2. Using a saw equipped with a non-ferrous metal blade, cut each end of bottom rail and bottom rail insert 1/4" (6 mm) shorter than mark on each end to allow for fit into bottom rail brackets.

### Cutting Top Rail

#### Option 1:

#### For Post-to-Post Configuration

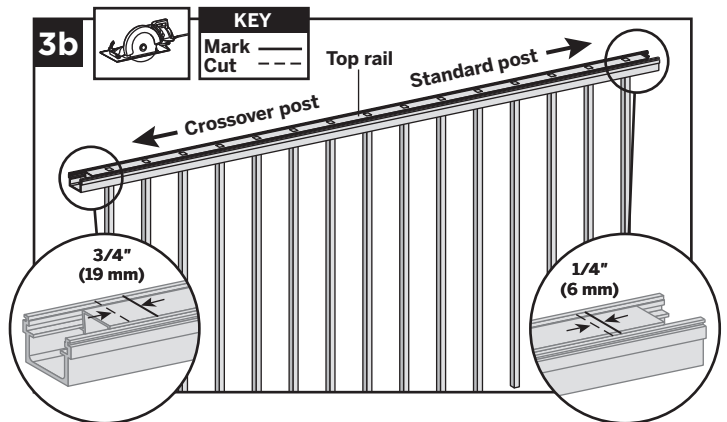


- 3a. Using a saw equipped with a non-ferrous metal blade, cut each end of top rail 1/4" (6 mm) shorter than mark to allow for fit into top rail brackets.

### Cutting Top Rail

#### Option 2:

#### For Post-to-Crossover Post Configuration



- 3b. Top rail must be cut differently on each side of the rail. Railing side that attaches to standard post should be cut 1/4" (6 mm) shorter than the mark to allow for fit into top rail bracket. Railing side that attaches to the crossover post should be cut 3/4" (19 mm) **LONGER** than the mark to allow for fit into the crossover post bracket.

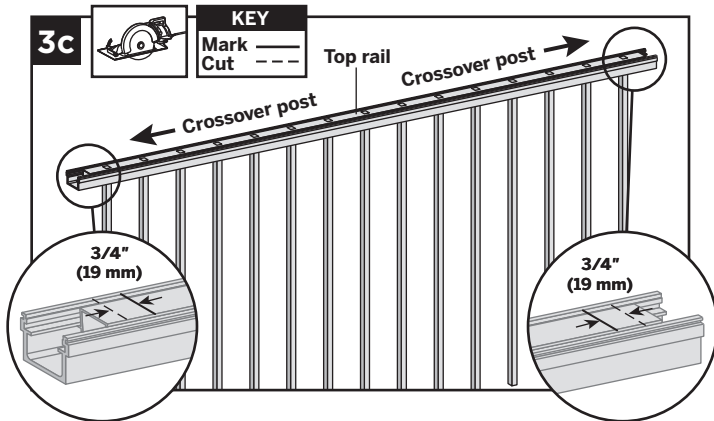
# HOW TO INSTALL PANELS/CONTINUED

## TREX SIGNATURE

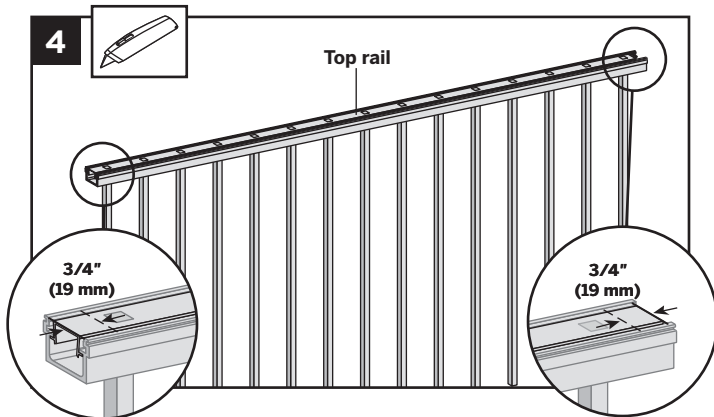
### Cutting Top Rail

#### Option 3:

#### For Crossover Post-to-Crossover Post Configuration

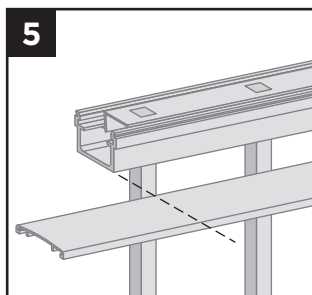


3c. Cut each end of top rail  $\frac{3}{4}$ " (19 mm) **LONGER** than the mark to allow for fit into the crossover post bracket on each side.

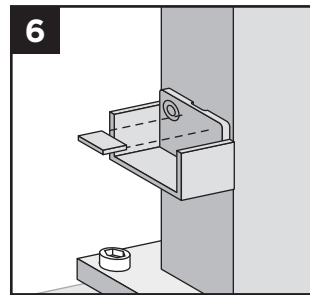


4. Using razor knife or other cutting tool, cut rail insert  $\frac{3}{4}$ " (19 mm) **FROM EACH SIDE.**

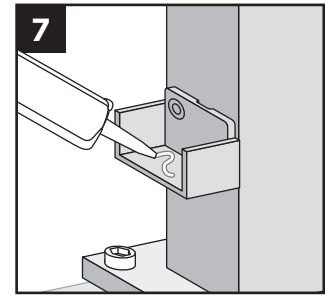
5. Mark and cut top rail cover same length as top rail for all top rail configurations.



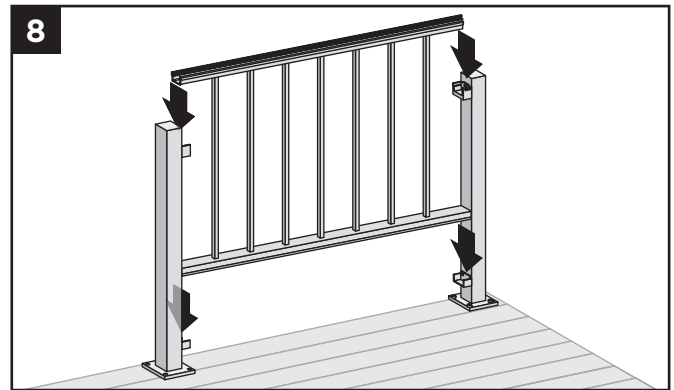
### Install Signature Panel



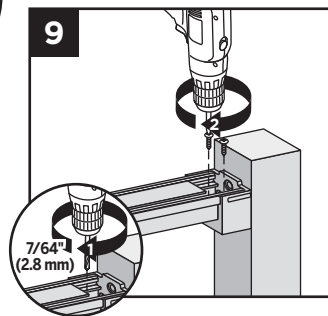
6. Break or cut the bottom tab off the bottom brackets.



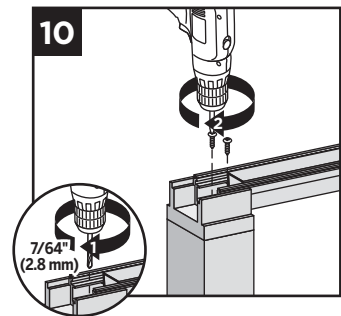
7. Put a dab of silicone in the basket of the bottom bracket to prevent rattle.



8. Place panel in bottom and top brackets.



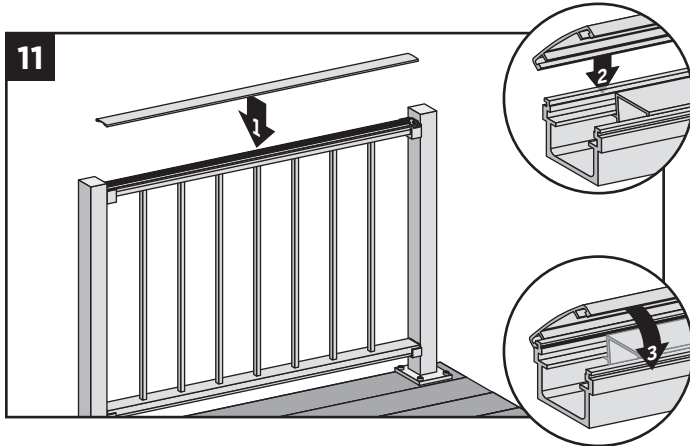
9. For post-to-post configuration, fasten upper rail to each bracket by installing screws diagonally through upper rail into bracket using two self-tapping screws each side (*provided with bracket kit*).



10. For crossover post configuration, fasten upper rail to crossover post by installing screws diagonally through upper rail into post using two self-tapping screws each side (*provided with bracket kit*).

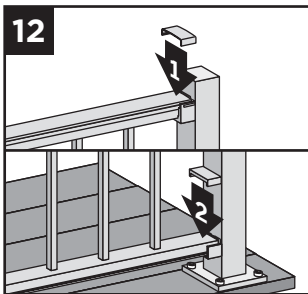
**NOTE: Pre-drilling is recommended ( $\frac{7}{64}$ " [2.8 mm] drill bit) for attachment of railing to bracket.**

## HOW TO INSTALL PANELS/CONTINUED TREX SIGNATURE

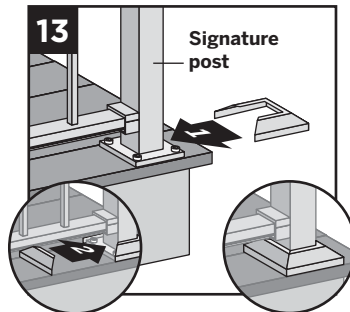


11. Attach upper rail cover to upper rail by aligning cover on one side of rail. Then starting from one end of rail, snap cover onto opposing slot working down length of rail. A **rubber mallet** may facilitate the fastening, using **GENTLE** tapping.

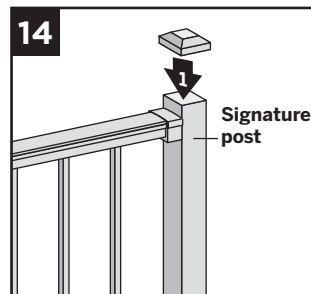
### Attachment of Bracket Covers, Skirts, and Caps



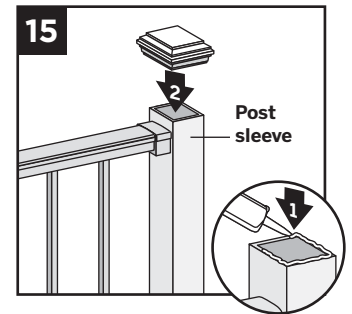
12. Attach corresponding bracket covers over opening in upper and bottom rails.



13. Attach provided post skirt to bottom of posts when using Signature posts.

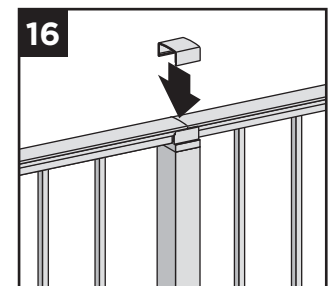


14. Attach post caps to Signature posts (use of **rubber mallet** may be required for secure attachment).



15. Attach post caps to post sleeves using external grade PVC construction adhesive.

16. For crossover post configuration, attach crossover post cap to crossover post.

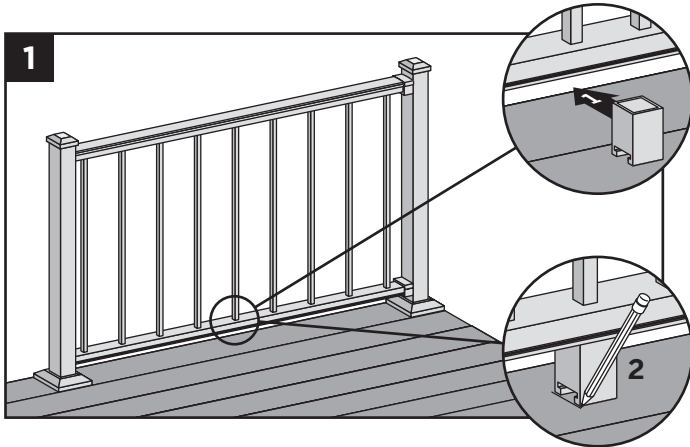


# HOW TO INSTALL FOOT BLOCKS - PANELS

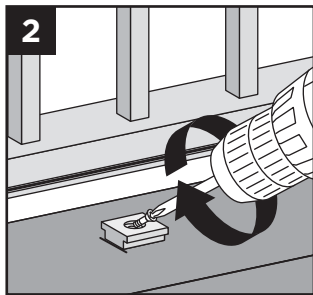
## TREX SIGNATURE

Attachment of Foot Block (Required **ONLY** for All Clear Span Applications Over 6' [1.83 m])

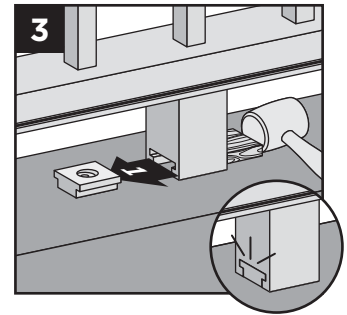
**NOTE: Pre-drilling is recommended (1/8" [33 mm] drill bit) for attachment of base.**



1. To ensure correct location, place foot block under center of bottom rail. Mark to provide placement location of base.
2. Place base (smaller side facing down) on decking surface. Attach base of foot block using one screw at an angle through base and into decking.



3. After attached, use a **rubber mallet along with scrap piece of wood** to tap foot block until it locks into place.



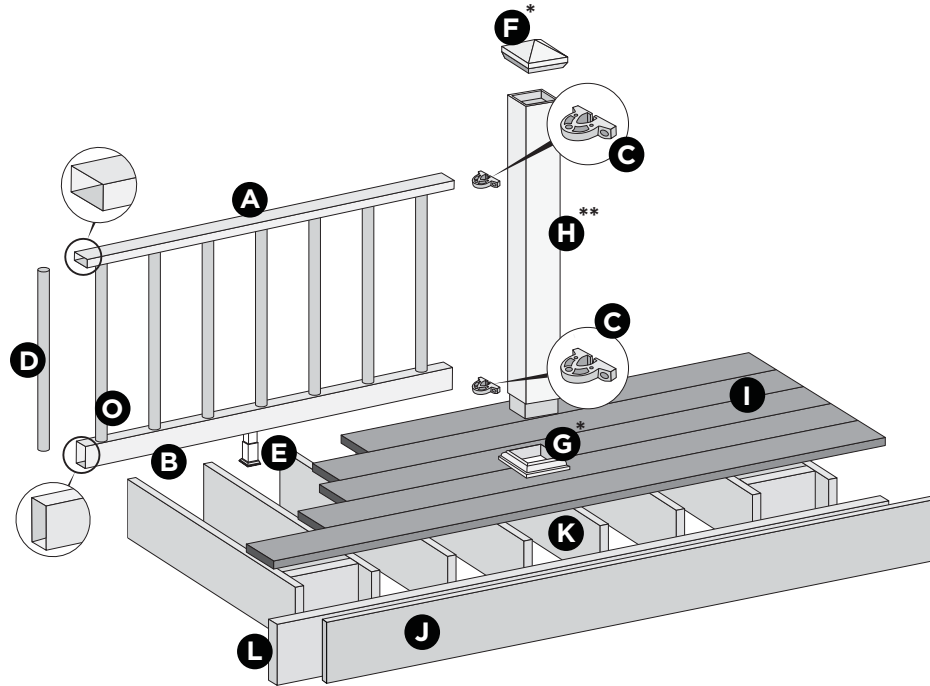
# TREX SELECT RAILING

## NOTES:

» All Trex Select Railing lengths are manufactured at ON CENTER dimensions (spanning from center of each post): 67-5/8" (176.8 cm) for 6' (1.83 m) on center, and 92-5/8" (235.3 cm) for 8' (2.44 m) on center. Note that railings are designed to be slightly longer than required to allow for very slight play in post placement – trimming may be required. IT IS VERY IMPORTANT TO MEASURE FIRST.

» SEE PAGE 56 FOR SKU NUMBERS.

## PARTS



- A. Select top rail
- B. Select bottom rail
- C. Brackets
- D. Balusters
- E. Adjustable foot block
- F. Post sleeve cap\*
- G. Post sleeve skirt\*
- H. Post sleeve – 4" x 4" (102 mm x 102 mm) or 6" x 6" (152 mm x 152 mm) post sleeve)\*\*
- I. Trex decking
- J. Trex fascia
- K. Code-approved wood joist – 2" x 8" (51 mm x 203 mm)
- L. Code-approved wood rim joist – 2" x 8" (51 mm x 203 mm) or larger

\* Item not included in the Select railing kits.

\*\* Both 4" x 4" (102 mm x 102 mm) and 6" x 6" (152 mm x 152 mm) post sleeves are designed to fit over 4x4 pressure-treated post.

**NOTE:** If installing 42" (1067 mm) railing, use longer post sleeves and measure accordingly to ensure a proper cut (**DO NOT CUT POST SLEEVES TO ACTUAL 42" – THESE NEED TO BE LONGER TO ALLOW FOR POST CAPS TO FIT**).

**NOTE:** Pictorial representations shown may only show one style of railing, while others may also be used. Review detailed instructions to determine what railing styles and combinations can be used.

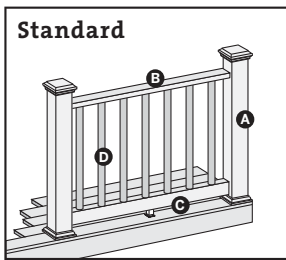
### DETERMINING BALUSTERS NEEDED

Baluster Type	Per 6' OC Section	Per 8' OC Section
Round Aluminum Baluster (Horizontal Application)	14	20
Round Aluminum Baluster (Stair Application)	12	17

### CODE APPROVED APPLICATIONS

	6' Railing	8' Railing
<30" height decking	Acceptable (Code approval not applicable)	Acceptable (Code approval not applicable)
IRC Compliant	Yes	No
IBC Compliant	No	No

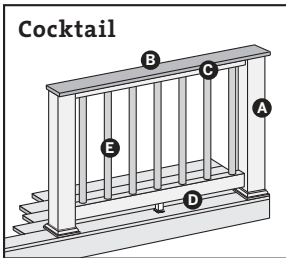
## TREX SELECT RAILING RAILING CONFIGURATIONS



Cutting post sleeves is **NOT** required.

- A. Pressure-treated post or Trex post mounts\* with Trex Transcend post sleeves, or Trex joist mount posts\*
- B. Select top rail
- C. Select bottom rail
- D. Select balusters

See page 115 for "How to Install Standard Railing".



Post sleeves **WILL NEED TO BE CUT.**

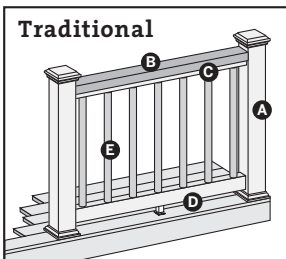
- A. Pressure-treated post with Trex Transcend post sleeve  
**NOTE:** » Only for use with 4" x 4" (102 mm x 102 mm) post sleeve.  
» Trex post mounts or joist mount posts cannot be Select cocktail design.

- B. Deck board top rail.  
**NOTES:** » Contour and Escapes cannot be used  
» Deck boards will need to be cut to fit each rail span

- C. Select top rail
- D. Select bottom rail
- E. Select balusters

See page 118 for "How to Install Select Cocktail Railing".

**POST  
SLEEVES  
WILL  
NEED TO  
BE CUT**



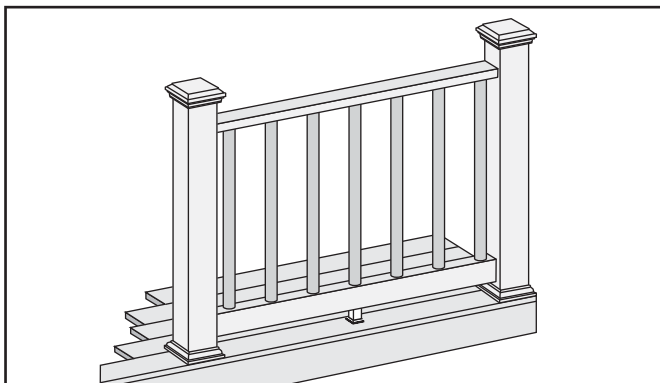
Cutting post sleeves is **NOT** required.

- A. Pressure-treated post or Trex post mounts\* with Trex Transcend post sleeves, or Trex joist mount posts\*
- B. 2" x 4" (51 mm x 102 mm) lateral top rail
- C. Select top rail
- D. Select bottom rail
- E. Select balusters

See page 119 for "How to Install Traditional Railing".

\*See specific installation instructions for attachment of Trex post mounts or Trex Joist Mount Posts prior to installing any railing.

## HOW TO INSTALL TREX SELECT STANDARD RAILING TREX SELECT



**Read all instructions BEFORE installation.**

**Important:** Post sleeves are **NOT** to be cut for this design style.



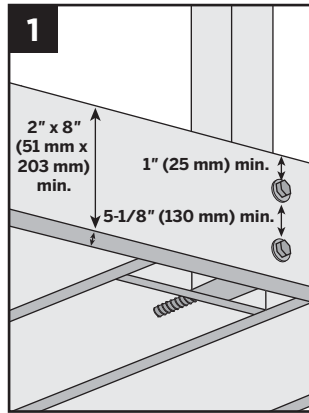
# HOW TO INSTALL TREX SELECT RAILING/CONTINUED

## TREX SELECT

### Installing Pressure-Treated Posts

» Select Railing Kits are designed for posts to be installed at maximum of 6' or 8' (1.83 m or 2.44 m) ON CENTER depending on the length being used.  
**(NOTE: Smaller spans are allowed).**

- » Attach posts using 1/2" (13 mm) carriage bolts.
- » Minimum joist size is 2" x 8" (51 mm x 203 mm).
- » Top bolts must be 1" (25 mm) from tops of joists.
- » Bottom bolts must be 5-1/8" (130 mm) from top bolts.

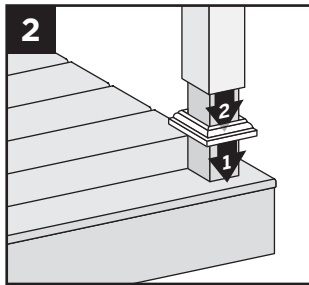


**NOTE:** Blocking **MUST** be added for extra strength.

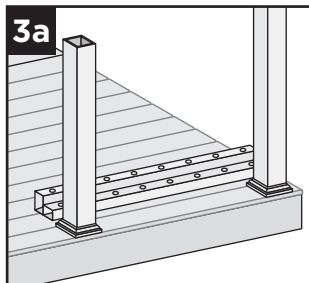
### Installing Post Sleeve Skirts and Post Sleeves

2. Slide post sleeve skirt over post and down to rest on decking surface. Slide post sleeve over post and position inside post sleeve skirt.

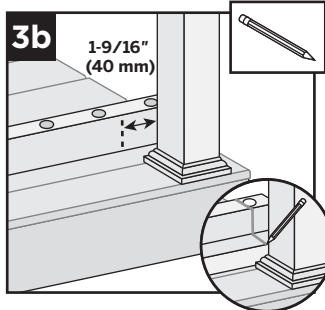
**NOTE:** Shims can be used to plumb post sleeves.



### Cutting Railings



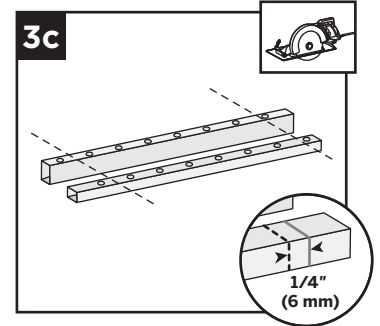
- 3a. Position bottom and top rails between posts, ensuring baluster holes are lined up and spaced evenly.



- 3b. Also allow for a minimum of 1-9/16" (40 mm) on each end of rail for bracket placement AND baluster clearance. Mark rails at intersection of rail and post.

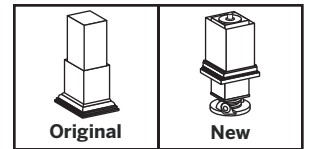
- 3c. Cut each end of both bottom and top rails 1/4" (6 mm) shorter than mark on each end to allow for fit into brackets.

**NOTE:** After cutting, this still allows enough space for bracket placement.



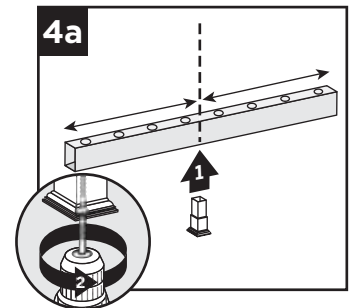
### IMPORTANT NOTE REGARDING FOOT BLOCK INSTALLATION:

- » Determine which style of foot block is included. Original foot block is a one-piece part that is adjustable. New foot block is a two-piece part with turning base mount.
- » Also refer to detailed instructions (Trex Select® rail instructions) included with foot block prior to installation of railing section as these include other required steps for proper installation.



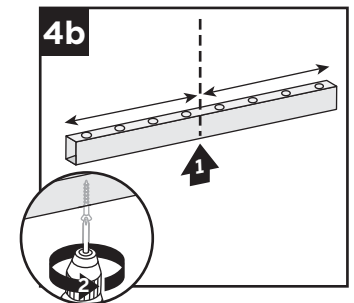
### If Attaching Original Foot Block to Bottom Rail

- 4a. Invert the bottom railing. Center foot block on the bottom rail and attach per Original Foot Block instructions.



### If Attaching New Foot Block to Bottom Rail

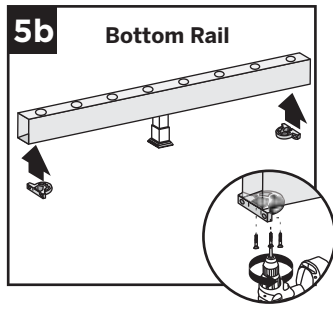
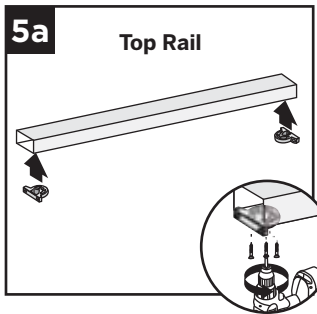
- 4b. Invert the bottom rail. Center and drill a hole using a 3/16" drill bit. This will be location for foot block attachment (to be installed last).



# HOW TO INSTALL TREX SELECT RAILING/CONTINUED

## TREX SELECT

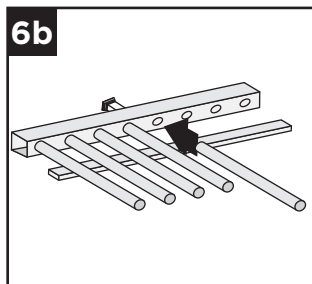
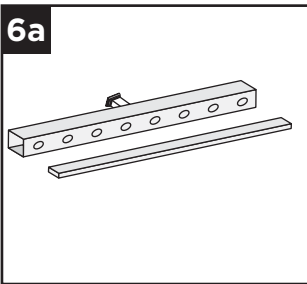
### Attaching Brackets to Rails



5a. Position brackets on each end of TOP RAIL on the same side as baluster holes. Attach brackets using three #8-18 x 1" self-drilling screws (provided).

5b. Position brackets on each end of BOTTOM RAIL on the **OPPOSITE SIDE** of the baluster holes. Attach brackets using three #8-18 x 1" self-drilling screws (provided).

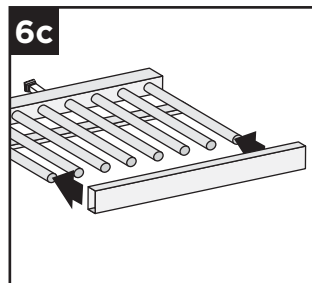
### Assembling Railing Section



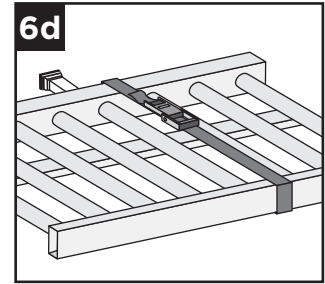
6a. On a clean flat surface lay bottom railing on its side. Make sure to allow enough room for installation of balusters and top rail. Place a scrap piece of 1" decking board running parallel to bottom rail for support when installing balusters.

6b. Insert balusters into bottom rail slots until balusters are fully seated.

6c. Attach top rail to balusters, feeding each baluster into required slots. Start on one end and work towards the other.

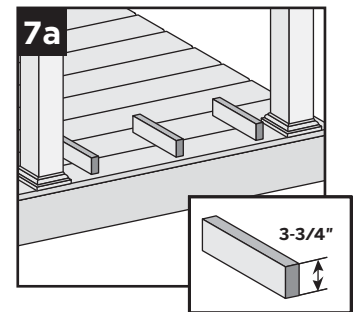


6d. To help temporarily secure the railing section together, place a ratchet strap around the top and bottom rail and tighten until snug. **DO NOT OVERTIGHTEN AS YOU CAN BEND THE RAILING.**

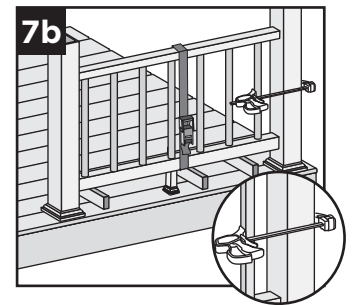


### Installing Railing Section to Posts

7a. Using scrap material (i.e. 2 x 4s, decking boards, etc.) cut at least three support blocks at 3-3/4" in height. Place one each on decking surface beside each post and one near center of span.

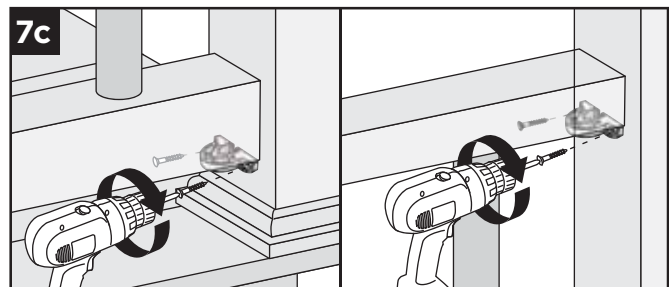


7b. Lift secured railing section up, and **CENTER** this section in between the spanned posts on pre-positioned support blocks.



**NOTE:** To help stabilize railing section use a quick-grip clamp (or other type of clamp) and clamp the first baluster to post sleeve. (**DO NOT OVERTIGHTEN CLAMP.**)

7c. Install both bottom and top brackets on each side to post using two #8-10 x 2" wood screws (provided). For best results, set drill to low speed when installing these screws.

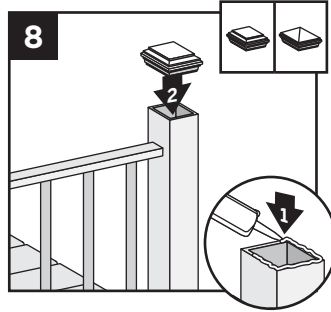


## HOW TO INSTALL TREX SELECT RAILING/CONTINUED

### TREX SELECT

#### Attaching Post Caps and Installing New Foot Block

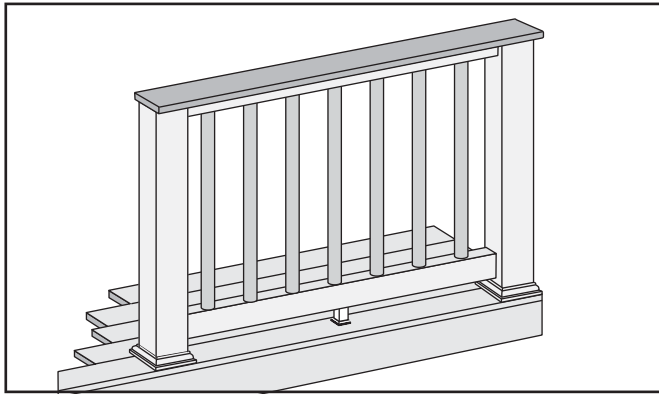
- Secure post caps with silicone or PVC adhesive. Attach new foot block per foot block instructions.



**NOTE:** Clean up any excess adhesive before drying.

## HOW TO INSTALL COCKTAIL RAILING

### TREX SELECT



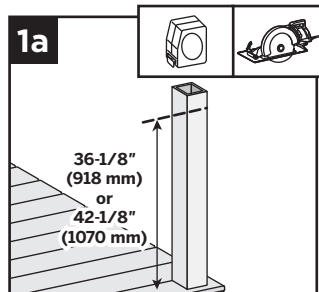
**Important: ONLY** use for use with pressure-treated 4x4 post (3.5" nominal square) and 4" x 4" (102 mm x 102 mm) post sleeve. Trex Post Mounts or Joist Mount Posts cannot be used with Select Cocktail railing.

#### 1. Installing Pressure-Treated Posts, Post Sleeve Skirts and Post Sleeves

See instructions on page 116.

#### Cutting Post and Post Sleeve

- Mark and cut post and post sleeve measuring from deck surface:
  - » 36-1/8" (918 mm) for 36" (914 mm) height.
  - » 42-1/8" (1070 mm) for 42" (1067 mm) height.



#### 4. Cutting Railings

See instructions on page 117.

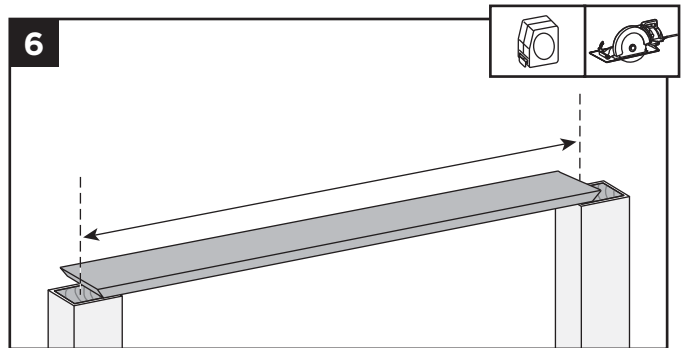
#### 5. Attaching Foot Block to Bottom Railing

See instructions on page 117.

#### NOTES:

- » If installing in weather below 40°F (4.5°C), leave 1/8" (3 mm) gap between deck boards.
- » Deck boards can overhang end of last post maximum 1/2" (13 mm).

#### Cutting Deck Board



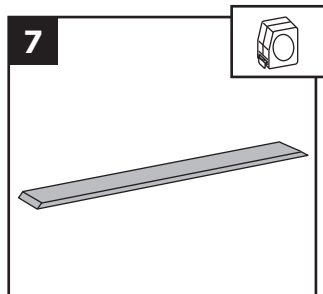
- Cut deck boards to appropriate length of railing span, remembering to include extra space on each side of the deck board to allow for attachment to the post. Decking boards must cover 1/2 of the pressure-treated post to allow this to be fastened later.



## HOW TO INSTALL TREX SELECT RAILING/CONTINUED

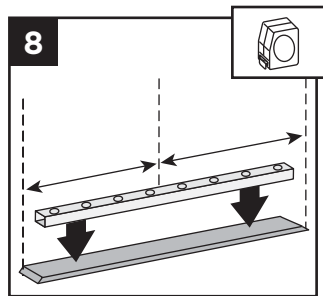
### TREX SELECT

7. Place inverted deck board (place top side of deck board down) on clean, flat surface. (**DO NOT** use Escapes, or Contour deck boards for top rail.)

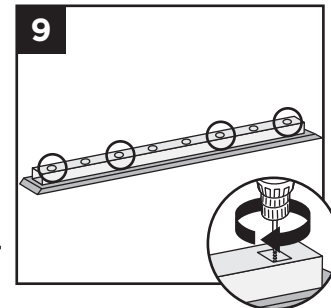


#### Attaching Deck Board to Select Top Rail

8. Place inverted Select top rail (orient properly so baluster holes are shown top side up), on the deck board, centered in both directions to allow final attachment to post.



9. Secure deck board to Select top rail with 3/4" screws provided approx. every 16" on center. Screws are to be installed inside of the baluster holes into the decking board. **DO NOT** overtighten.

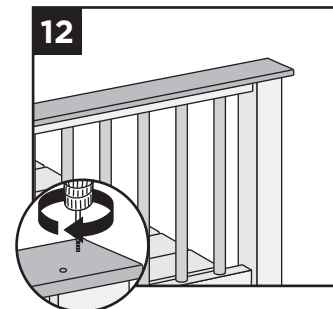


**NOTE:** A long drill bit will be required to fit inside the baluster holes.

10. **Assembling Railing Sections**  
See instructions on page 117.

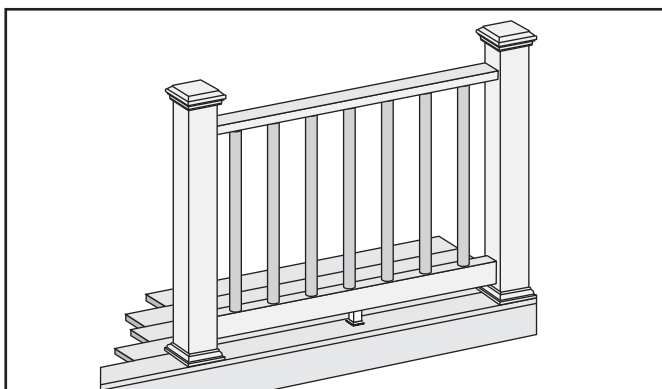
11. **Installing Railing Sections to Posts**  
See instructions on page 117.

12. **Attaching Deck Board to Posts**  
Attach boards on each post with Trex recommended composite screws (quantity of 2 per each board end).



## HOW TO INSTALL TREX TRADITIONAL RAILING

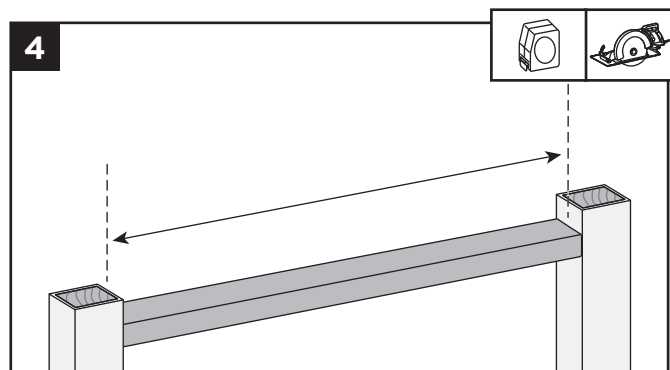
### TREX SELECT



1. **Installing Pressure-Treated Posts, Post Sleeve Skirts and Post Sleeves**  
See instructions on page 116.
2. **Attaching Foot Block to Bottom Railing**  
See instructions on page 116.

3. **Cutting Railings**  
See instructions on page 116.

#### Cutting 2" x 4"



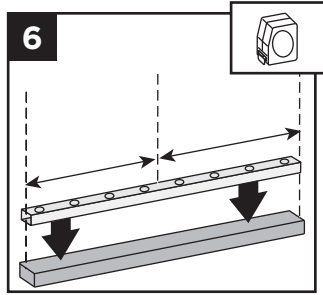
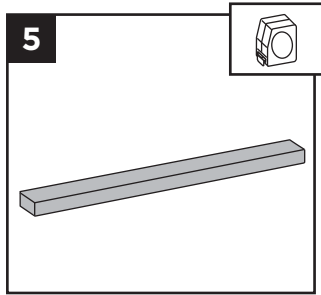
4. Cut 2" x 4" (51 mm x 102 mm) to same length of the inverted Select top rail.

**NOTE:** Construction methods are always improving. Please refer to [www.trex.com](http://www.trex.com) for the most up-to-date installation requirements.

## HOW TO INSTALL TREX SELECT RAILING/CONTINUED

### TREX SELECT

#### Attaching 2" x 4" to Select Top Rail

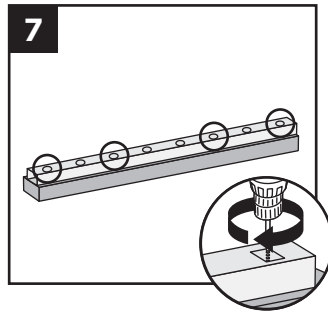


5. Place inverted 2" x 4" (51 mm x 102 mm) (place topside down) on clean, flat surface.
6. Place inverted Select top (orient properly so baluster holes are shown top side up) on 2" x 4" (51 mm x 102 mm).

7. Secure 2" x 4" (51 mm x 102 mm) to Select top rail with 3/4" screw provided approx. every 16" on center. Screws are to be installed inside of the baluster holes into the decking board.

**DO NOT** overtighten.

Note that a long drill bit will be required to fit inside the baluster holes.



#### 8. Assembling Railing Sections

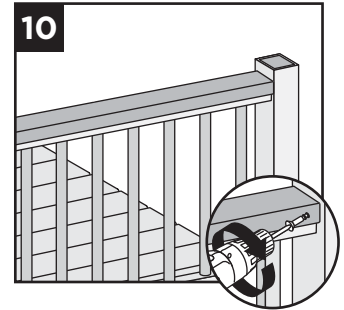
See instructions on page 117.

#### 9. Installing Railing Sections to Posts

See instructions on page 117.

#### 10. Attaching 2x4 to Posts

Pre-drill a pilot hole and toenail 2-1/2" (64 mm) screw at each end of 2" x 4" (51 mm x 102 mm) intopost on back side of rail (side not facing decking).



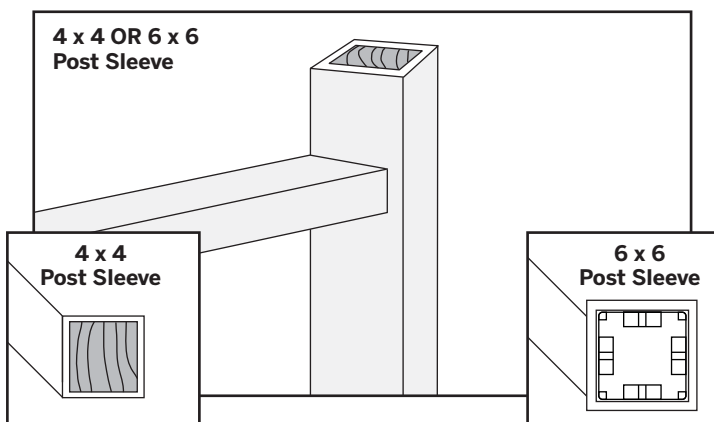
#### 11. Attaching Post Caps and Installing New Foot Block

See instructions on page 118.

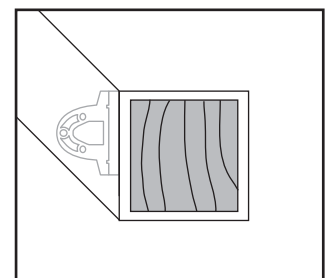
## HOW TO INSTALL ON-AN-ANGLE RAILING

### TREX SELECT

**NOTE:** Brackets are designed to be installed up to a 45° angle.



Both 4" x 4" (102 mm x 102 mm) or 6" x 6" (152 mm x 152 mm) post sleeves work well for angles up to 45 degrees. Bottom rail brackets may need to be slightly offset to one side in order to fit properly to hold rail in place. Measure and mark first before attachment of bracket to rail to ensure bottom rail remains parallel to upper rail.



# HOW TO INSTALL TREX SELECT STAIR RAILING

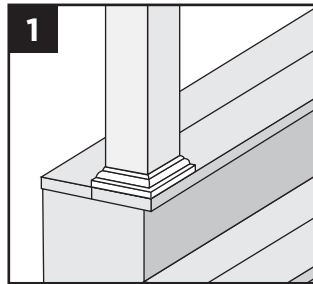
## TREX SELECT

Read all instructions BEFORE installation. **IMPORTANT NOTE: POST TO POST SPAN WILL BE LESS THAN 6'. PRIOR TO INSTALLING POSTS CALCULATE POST TO POST SPAN USING A MAXIMUM RAIL LENGTH OF 6' AND THE ANGLE (32°-37°) AT WHICH THE RAILS WILL BE INSTALLED. DO NOT INSTALL STAIR POSTS AT 6' SPAN, AS STAIR RAILINGS WILL THEN BE TOO SHORT.**

**NOTE:** All Select railings work **ONLY WITH STAIR SLOPES OF 32° TO 37°.**

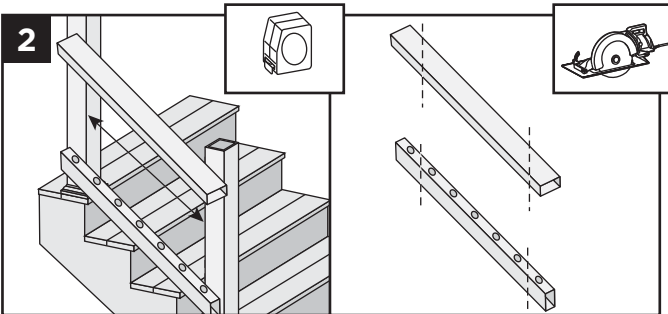
### Installing Posts, Post Sleeve Skirts, and Post Sleeves for Stair Rails

1. Install posts, post sleeve skirts, and post sleeves according to standard Select railing instructions.



- » In most cases, a post and post sleeve longer than 39" (991 mm) will be needed on the lower section of stair rail to accommodate stair angle.
- » Make sure top and bottom posts for stairs are installed at nose of each tread.

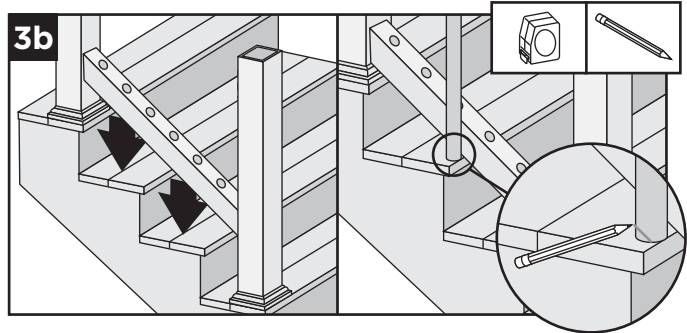
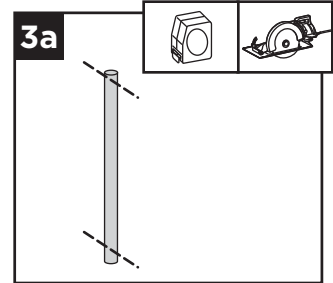
### Measuring and Cutting Railings



2. Set railing along the nose of the stair treads, making sure baluster holes are vertically aligned and mark line at each intersection. **When measuring, cut equal lengths from each side of railing allowing a minimum of 2" on each end from the last baluster hole to the end of the rail.** This will ensure proper baluster and bracket placement and equal spacing of balusters per each railing section.

### Cutting Balusters on Angle (OPTIONAL)

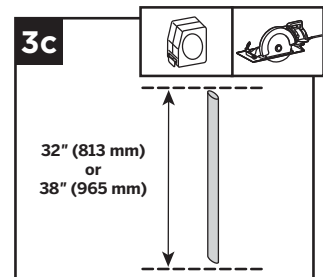
3a. In order for balusters to seat properly (depending on the angle of the stair railing), the balusters may need to be trimmed to match the angle of the bottom and top railing.



3b. Set bottom railing on nose of stair treads and set baluster at 90° on the outside of the railing, mark and measure the angle.

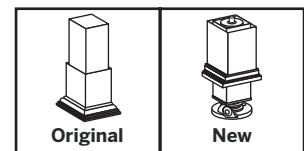
**NOTE:** Measure, mark, and cut a scrap board to ensure you have proper angle **BEFORE** cutting balusters on angle.

3c. Cut the **VERY END** of baluster, both top and bottom, making sure that point to point measurement of the baluster remains at either 32" (813 mm) for 36" (914 mm) rail heights or 38" (965 mm) for 42" (1067 mm) rail heights.



### IMPORTANT NOTE REGARDING FOOT BLOCK INSTALLATION:

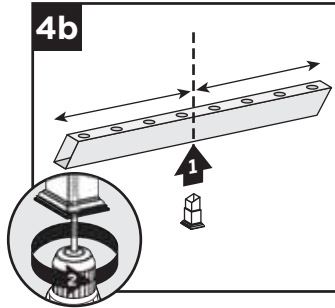
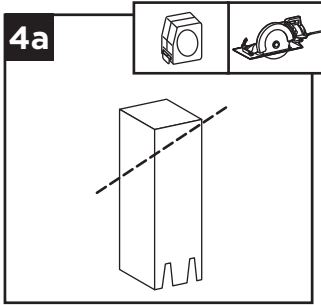
- » Determine which style of foot block is included. Original foot block is a one-piece part that is adjustable. New foot block is a two-piece part with turning base mount.
- » Also refer to detailed instructions (Trex Select rail instructions) included with foot block prior to installation of railing section as these include other required steps for proper installation.



# HOW TO INSTALL TREX SELECT STAIR RAILING/CONTINUED

## TREX SELECT

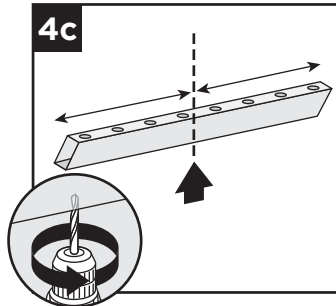
### If Attaching Original Foot Block to Bottom Rail



- 4a. For stair applications, cut the section of foot block at an angle to match rail. Refer to foot block instructions for specific information on how to do this.
- 4b. Invert bottom rail. Center foot block on bottom rail and attach at marked position per Original foot block instructions. **DO NOT** extend foot block.

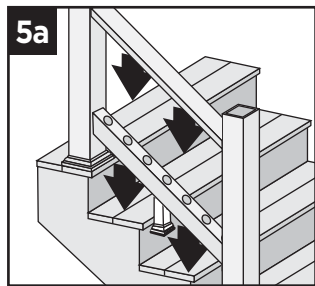
### If Attaching New Foot Block to Bottom Stair Rail

- 4c. Invert the bottom stair rail. Center and drill a hole using a 3/16" drill bit. This will be location for foot block (to be installed last).



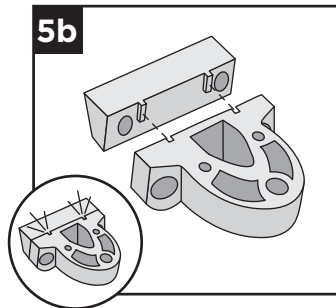
### Attachment of Brackets to Railings

- 5a. Check fit for both top and bottom railings in designated positions for location onto posts. Remove railings.

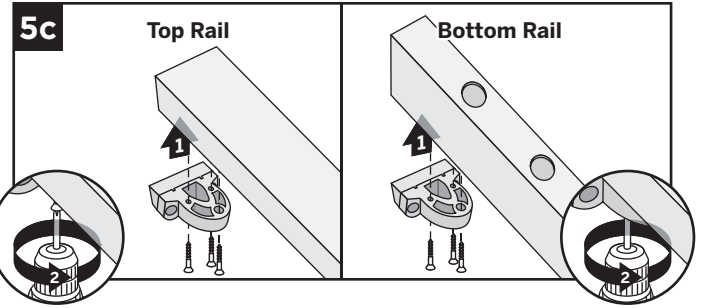


### Upper Stair Post Locations

- 5b. Snap the top stair adaptor bracket (labeled TOP) to the standard bracket. Repeat for remaining bracket.



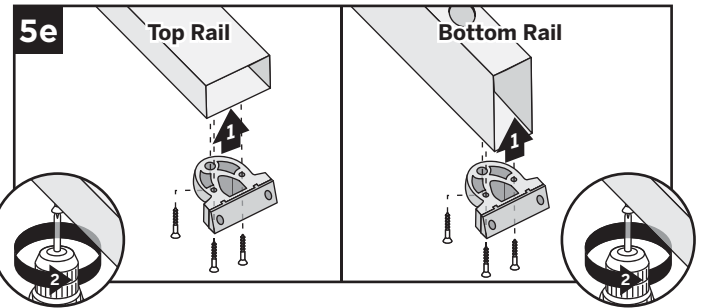
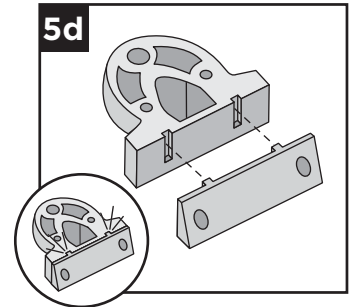
### Upper Stair Post Locations



- 5c. On the TOP RAIL, attach the assembled top stair bracket to the side with baluster holes. On the BOTTOM RAIL, attach the assembled top stair bracket to the OPPOSITE SIDE of the baluster holes. Attach both brackets using three #8-18 x 1" self-drilling screws (*provided*).

### Lower Stair Post Locations

- 5d. Snap the bottom stair adaptor bracket (labeled BOTTOM) to the standard bracket. Repeat for remaining bracket.



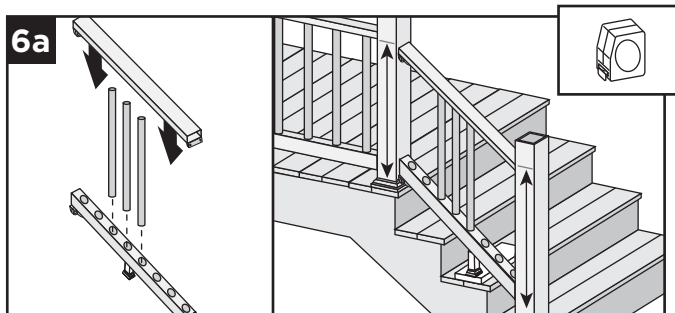
- 5e. On the TOP RAIL, attach the assembled bottom stair bracket to the side with baluster holes. On the BOTTOM RAIL, attach the assembled bottom stair bracket to the OPPOSITE SIDE of the baluster holes. Attach both brackets using three #8-18 x 1" self-drilling screws (*provided*).



# HOW TO INSTALL TREX SELECT STAIR RAILING/CONTINUED

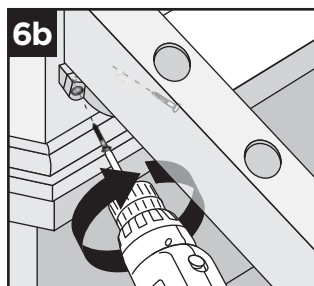
## TREX SELECT

### Attachment of Bottom Rail to Post

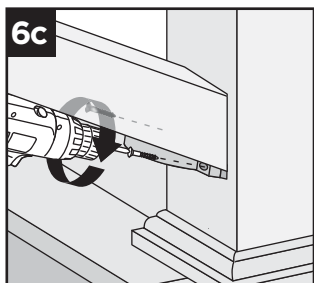


6a. Assemble a few of the balusters into the bottom and top railings (make sure balusters are setting at 90°) and set this on scrap material clearing the stair treads to determine where bracket locations need to be. Measure to make sure that the bottom railing will clear the stair treads and the top railing will be aligned with horizontal railing (remember in most cases, a longer post and post sleeve will be needed on the lower section of stair rail to accommodate stair angle).

6b. After locating appropriate position for bottom rail remove top rail and balusters and attach bottom rail stair bracket to upper post using two #8-10 x 3" wood screws (provided).

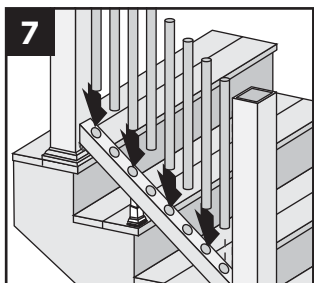


6c. Attach bottom stair rail stair bracket to lower post using two #8-10 x 3" wood screws (provided). For best results set drill to low speed when installing these screws.



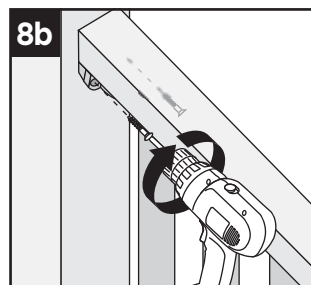
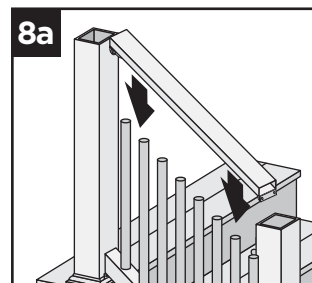
### Install Balusters

7. Slide balusters into bottom rail until balusters are fully seated.

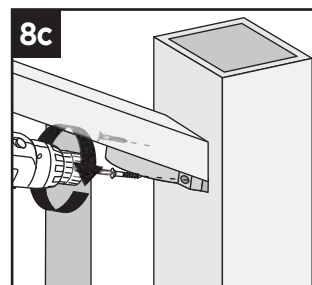


### Attachment of Top Rail to Post

8a. Place top rail onto balusters, allowing the top rail to rest on the surface of the balusters.



8b. Attach top stair rail bracket to upper post using two #8-10 x 3" screws (provided). For best results set drill to low speed when installing these screws.

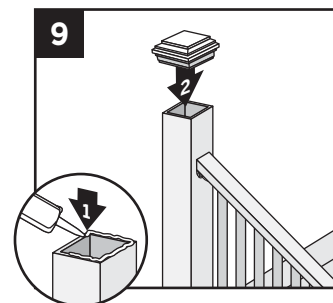


8c. Attach top stair rail bracket to lower post using two #8-10 x 3" screws (provided). For best results set drill to low speed when installing these screws.

### Attaching Post Caps and Installing New Foot Block

9. Secure post caps with silicone or PVC adhesive. Attach new foot block per foot block instructions.

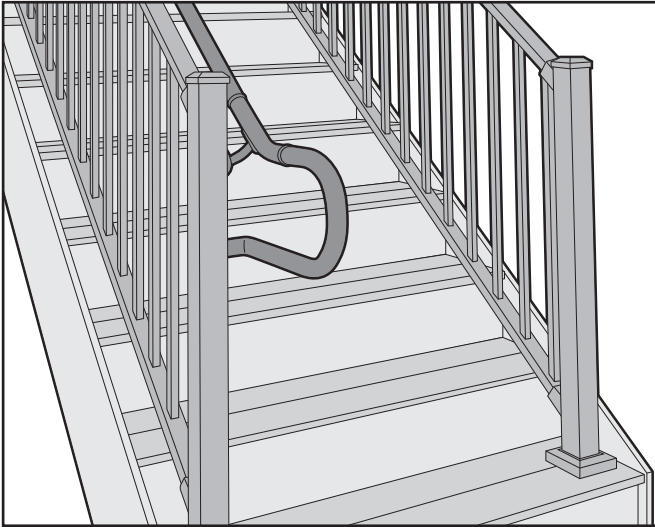
**NOTE:** Clean-up any excess adhesive before drying.



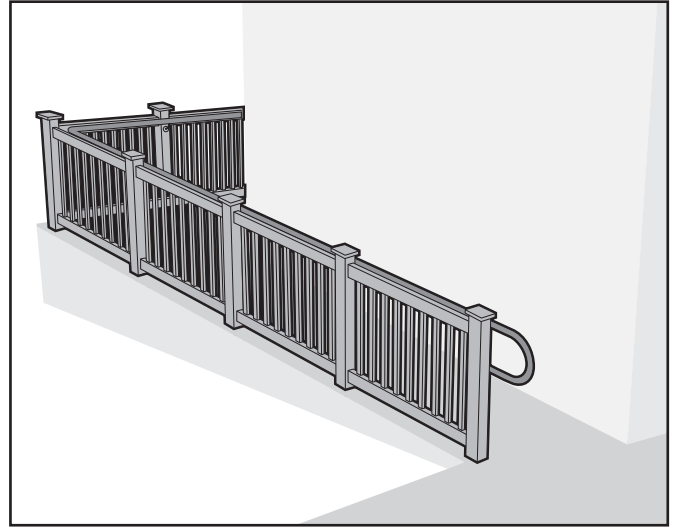


# TREX ALUMINUM ADA COMPLIANT HANDRAIL

## STAIR APPLICATION

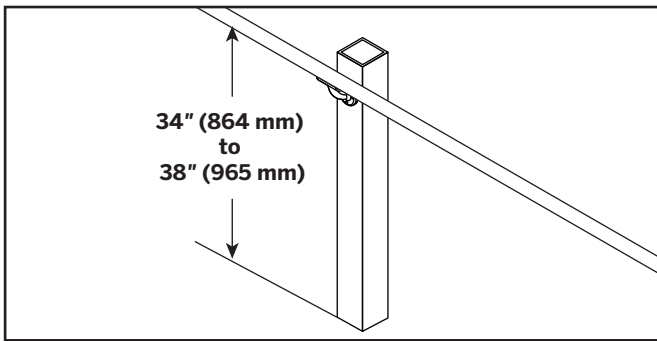


## RAMP APPLICATION



### ADA Handrail Guidelines

1. ADA handrails can be installed using various design applications such as those for stairs, ramps, and horizontal applications. Designs include options for straight and 90° wall returns, 90° corners, and adjustable angles. Choose which is best for your needs before installing. *Refer to railing profiles (page 56) for a more detailed parts list.*



2. The handrail system top rail should be 34" (864 mm) to 38" (965 mm) above the surface. However, verifying height requirements with local building code officials before installing is important as codes vary in different areas.\*
3. Maintain a minimum clearance of 1-1/2" (38 mm) between the handrail and any obstructions above or behind the handrail.
4. The end loop return at all landings must extend 12" (305 mm) past the end of the ramp or stair application.\*
5. The slope of the handrail for the ramp should not exceed 1" (25 mm) rise over a 12" (305 mm) run.

6. **The maximum recommended span between supports is 6' (1.83 m) on center. Thus placement of posts is critical when installation of railing is being considered.\***
7. Rails are designed to have a tight fit into other connecting components. It is critical to line these up in the correct orientation **BEFORE** connecting parts together. *If it is necessary to shift or move a component on a rail, wrap with a protective cloth to prevent scratching as you may need to use a wide-mouth wrench to correct this.*
8. **At any straight location where internal connector is used, it is CRITICAL to locate these as close to a wall mount as possible.**
9. If using metal posts, pre-drill all locations for bracket attachment. (**ALWAYS** use a drill bit slightly SMALLER in diameter than the screw being used for attachment.)
10. All elbow components can be cut down to allow for tighter angles. Cut a maximum of 2" (51 mm) on each side if this is required.

\*Refer to the American Disabilities Act for detailed information in regards to handrail requirements.

### SAFETY NOTES


- » When cutting metal, ALWAYS wear proper safety eyewear (as well as any other proper safety wear).
- » Remove all burrs from cut ends before installation.
- » Use of a non-ferrous metal blade is recommended.

# ADA RAILING PROFILES


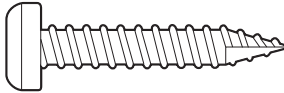

» SEE PAGE 56 FOR SKU NUMBERS.

DESCRIPTION	COLOR
<b>ADA Hand Rail</b> 1.385" (35 mm) diameter 	BK, BZ, WT
<b>ADA Wall Return</b> 	BK, BZ, WT
<b>ADA Wall Mount</b> 	BK, BZ, WT
<b>ADA Corner Mount*</b> 	BK, BZ, WT
<b>ADA Internal Connector</b> 	
<b>ADA Handrail Return</b> 	BK, BZ, WT

\*Can only be used with metal post horizontal applications.

DESCRIPTION	COLOR
<b>ADA 90° Elbow</b> 	BK, BZ, WT
<b>ADA 36°, 34°, and 31° Elbows</b> 	BK, BZ, WT
<b>ADA 5° Elbow</b> 	BK, BZ, WT
<b>ADA Collar</b> 	BK, BZ, WT
<b>ADA End Cap</b> 	BK, BZ, WT

## HARDWARE

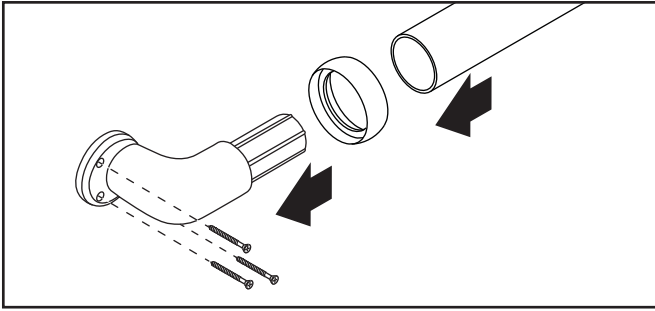
RAIL TO BRACKET ATTACHMENT	
Short Metal Screw (#10 x 5/8" [16 mm])	
BRACKET TO METAL POST ATTACHMENT	
Long Metal Screw (#12 x 1-1/4" [32 mm])	
BRACKET TO WOOD POST/POST SLEEVE ATTACHMENT	
Wood Screw (8-10 x 2" [51 mm])	

**NOTE:** If attaching brackets to 6x6 posts/post sleeves, use 8-10 x 2-1/2" (64 mm) wood screws (not included).

**COLORS:** BK Charcoal Black BZ Bronze WT White

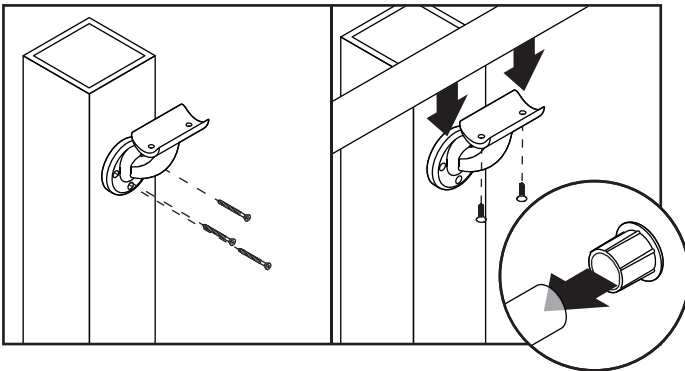
# HOW TO INSTALL TREX ALUMINUM ADA COMPLIANT HANDRAIL

## 90° Wall Return



1. If required, cut railing to proper length based on location of wall return(s) or attachment to other components.
2. If desired, collar ring can be used to hide seam of wall return to rail. Slide this over rail **BEFORE** inserting rail into wall return.
3. Slide rail onto wall return until it is fully inserted and seam is hidden under collar (if collar is being used).
4. Attach wall return to post using specific hardware provided (see chart on previous page), **ENSURING** wall return is at proper angle of alignment to post. (Wall return is designed to have tight fit into rail, thus location of attachment is critical.) If using metal posts, pre-drill post prior to attachment of wall mount.

## Wall Mount



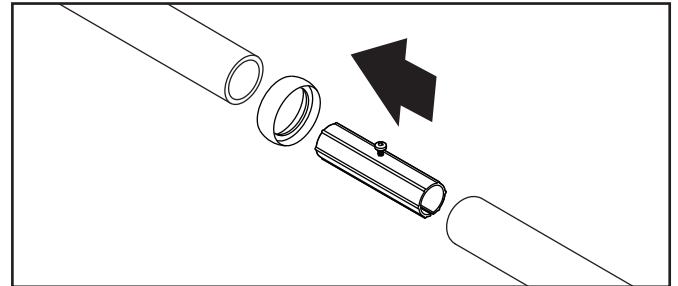
**NOTE:** Refer to Rail-to-Rail Connections section if connecting two or more rails together to make continuous straight run.

1. If required, cut railing to proper length based on location of wall mount(s) or attachment to other components.
2. Attach wall mount to post using specific hardware provided (see chart on previous page), **ENSURING** wall mount is at proper angle of alignment to angle of rail. If using metal posts, pre-drill post prior to attachment of wall mount.

**TIP:** To help with angled attachment, place one screw into bottom hole of bracket and pivot wall mount to position required.

3. Attach rail to wall mount using specific hardware provided (see chart on previous page).
4. Attach end cap to railing.

## Rail-to-Rail Connections/Internal Connector



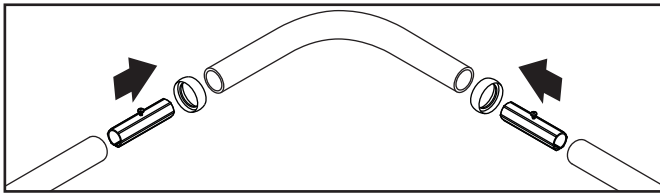
**NOTE:** When rail-to-rail straight connections are used for longer spans, posts must be installed 6' OC max. In addition, a wall mount **MUST** be used at each seam of rail-to-rail connections as close to center of wall mount as possible. If collar is used, this can be offset slightly to allow for the collar to fit.

1. If required, cut railing to proper length.
2. If desired, collar ring can be used to hide seam between rails. Slide this over rail **BEFORE** inserting rails into internal connector.
3. Slide internal connector into rail end until metal spacer screw is touching either end of rail or the collar, if this was used.
4. Slide second rail over opposite end of internal connector, until this is touching metal spacer screw.
5. Remove metal spacer screw using #2 square head screwdriver.
6. Push second rail further over internal connector until this fits in the collar (if used) or fits tightly against rail.
7. Attach wall mount to post per previous instructions.
8. Attach rail to wall mount per previous instructions.
9. Use end caps where required.



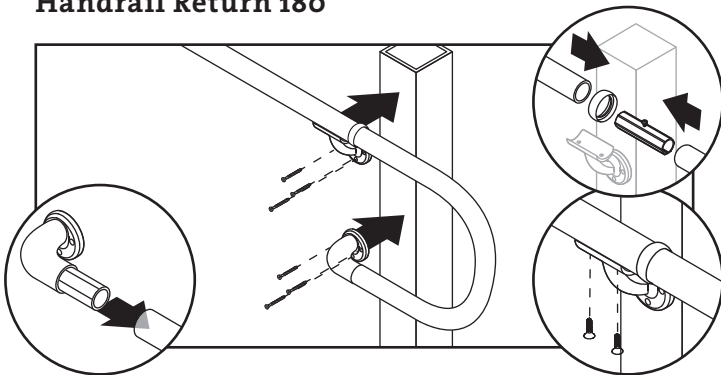
# HOW TO INSTALL TREX ALUMINUM ADA COMPLIANT HANDRAIL

## Elbows (90°, 36°, 34°, 31°, 5°)



1. If required, cut railing to proper length based on location of elbows and other components being used.
2. If desired, collar ring can be used to hide seam of elbow to rail. Slide this over rail **BEFORE** inserting rail into elbow.
3. Slide internal connector into rail end until metal spacer screw is touching either end of rail or the collar, if this was used.
4. Slide appropriate angled elbow onto opposite end of internal connector, until this is touching metal spacer screw.
5. Remove metal spacer screw using #2 square head screwdriver.
6. Push elbow further over internal connector until this fits in the collar (if used) or fits tightly against rail.
7. Attach wall mount to post per previous instructions.
8. Attach rail to wall mount per previous instructions.

## Handrail Return 180°

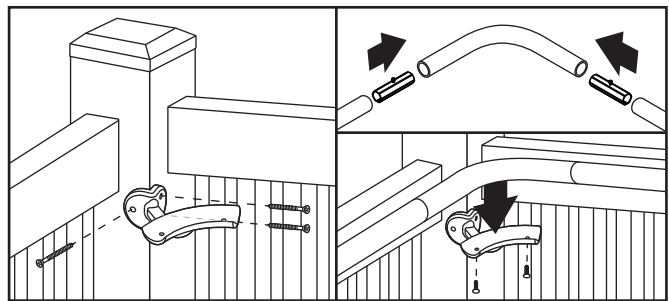


**NOTE:** Ramp application shown here. (For stair applications appropriate angle elbow also required.)

1. If required, cut railing to proper length based on location of elbow used as well and other components being used.
2. If desired, collar ring can be used to hide seam of handrail return to rail or elbow being used. Slide this over rail **BEFORE** inserting rail into other component.
3. Ensure that all components are aligned to both wall mount on post as well as location of elbow on rail **BEFORE** attachment.
3. Slide internal connector into appropriate elbow being until metal spacer screw is touching either end of elbow or the collar, if this was used.

4. Attach wall return to lower end of handrail return (longer side), **ENSURING** wall return is at proper angle of alignment to post. (Wall return is designed to have tight fit into rail, thus location of attachment is critical.)
5. Slide opposite end of handrail return onto internal connector, until this is touching metal spacer screw.
6. Remove metal spacer screw using #2 square head screwdriver.
7. Push handrail return further over internal connector until this fits in the collar (if used) or fits tightly against elbow.
8. Attach wall return to post per previous instructions.
9. Attach rail to wall mount per previous instructions.
10. Use end caps where required.

## Corner Mount



1. Corner mount can **ONLY BE USED ON METAL POSTS** and only for horizontal applications, such as stair landings.
2. Pre-drill metal post and install corner post to metal post using specific hardware provided (see chart on previous page).
3. If desired, collar ring can be used to hide seam of elbow to rail. Slide this over rail **BEFORE** inserting rail into elbow (not shown in picture above).
3. Slide internal connector into rail end until metal spacer screw is touching either end of rail or the collar, if this was used.
4. Slide appropriate angled elbow onto opposite end of internal connector, until this is touching metal spacer screw.
5. Remove metal spacer screw using #2 square head screwdriver.
6. Push elbow further over internal connector until this fits in the collar (if used) or fits tightly against rail.
7. Install elbow to corner mount using specific hardware provided (see chart on page 125).