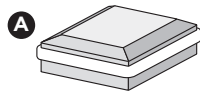


HOW TO INSTALL TREX SIGNATURE POST CAP LIGHT

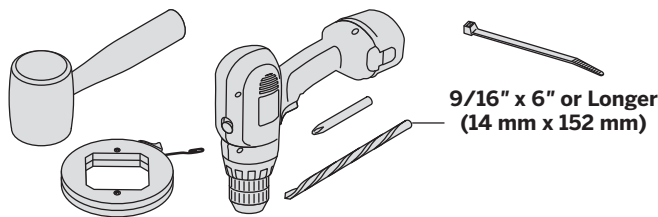
PARTS



Post Cap Light

- » 5ft, 10ft, 20ft, 40ft, and 60ft connection/extension wires sold separately (these are male-to-male connection wires).

TOOLS NEEDED

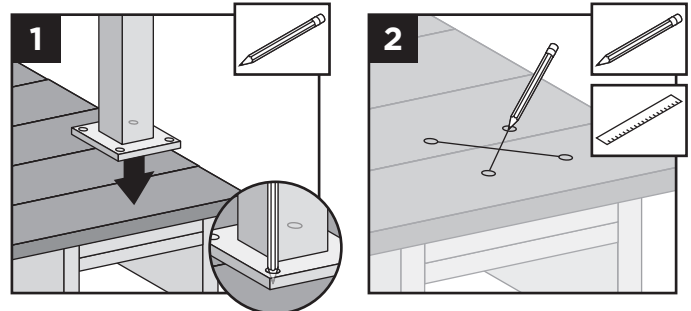


HELPFUL TIPS

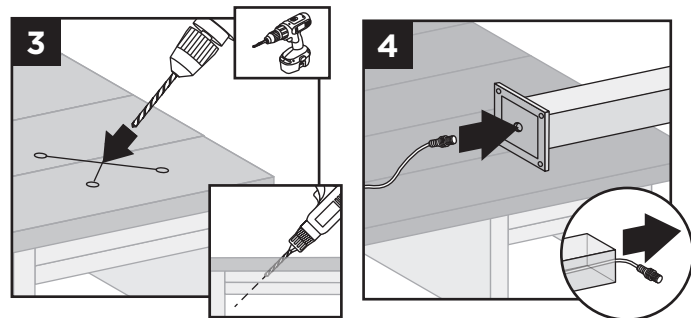
- » Leave slack in wire to make fixture terminations.
- » Post lamps work well at changes in levels of a deck—at the top or the bottom of the stairs, or in conjunction with post cap lights.
- » Splitters should be used at each post that has lights and depending on spacing in between each riser and recessed light.
- » Cap all unused female connections with caps provided or weather resistant silicone to prevent water damage or corrosion.
- » The splitter is cross linked so there is no specified plug for lights versus lead wires.
- » Leads attached to each light are approx. 5.5' (1.67 m) in length and have male terminals to plug into splitter.
- » Use a separate dimmer control for each light type for maximum control.
- » It is recommended to have power source on when installing lights to ensure all components work.

Installing Post Cap Lights

NOTE: Instructions shown below are for new deck installation and are shown **BEFORE** railing system has been installed.



1. Before attaching post to deck, locate placement of post and mark desired bolt locations.
2. Using a straight edge, mark an "X" between the four bolt locations.

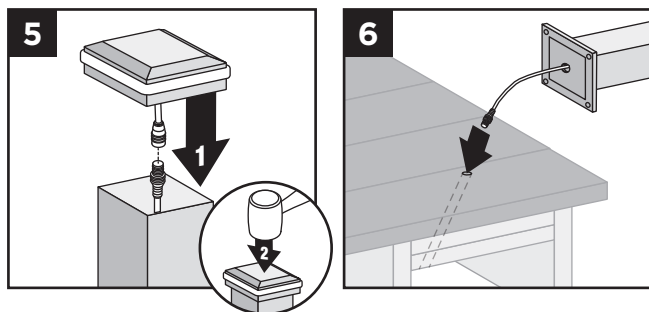


3. Using a 9/16" x 6" (or longer) drill bit, drill a diagonal hole through the decking and blocking. Ensure that the angle will allow wire to not be pinched by support plate under blocking (if using Trex ALPOSTHWDECK mounting kit). (See *Making Connections* section for details.)
4. Turn post upside down and fish 5' Male to Male wire (provided) through hole in baseplate.

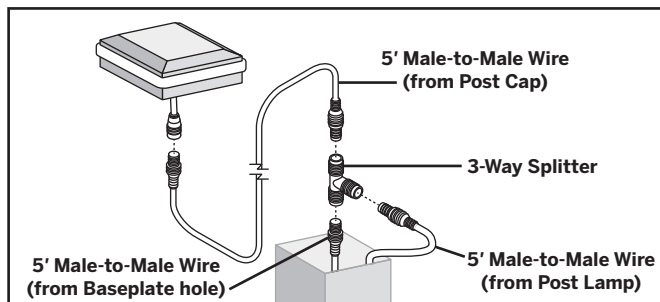
TREX SIGNATURE® POST CAP LIGHT

Installation Instructions

HOW TO INSTALL TREX SIGNATUR POST CAP LIGHT/CONTINUED



5. Connect the female connector on the post cap light to this wire and, using a rubber mallet, gently tap the cap onto the top of the post until it is secure.
6. Turn post over and carefully fish wire through hole created in Step 3 to underside of the deck. Ensure exit point of wire under blocking will not be pinched by ALPOSTHWDECK plate.
7. Mount post per instructions.



NOTE: If connecting a Wedge Deck Rail light as well, a 3-way adapter and extra 5' Male to Male wire (not provided) can be used inside the post so that only one wire must be run through the hole in the base of the post (and post blocking). This is optional.