

TREX SIGNATURE (Formerly Reveal) PANELS

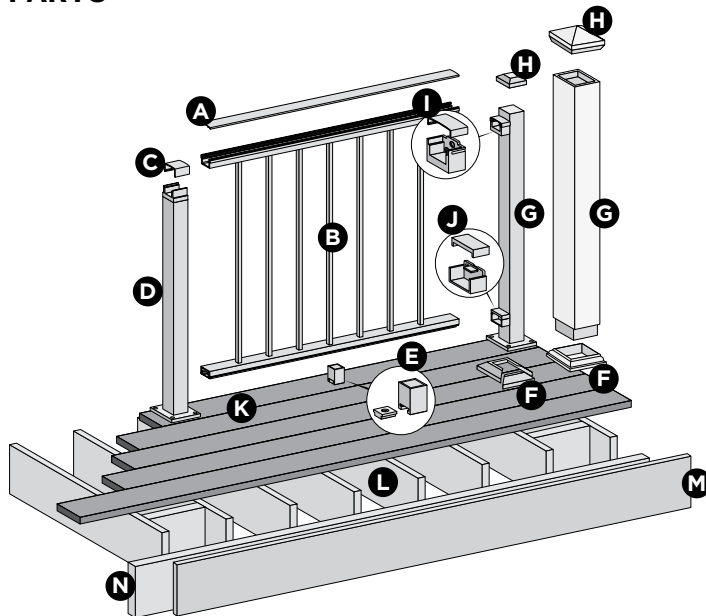


Installation Instructions

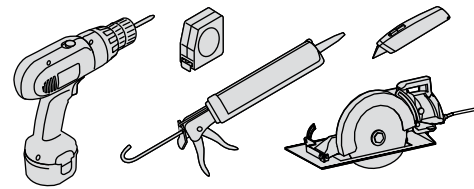
NOTES:

- » SIGNATURE RAILINGS ARE DESIGNED TO BE ATTACHED WITH POSTS INSTALLED AT A CLEAR SPAN OF 6' (1.83 M) OR 8' (2.44 M).
- » IF INSTALLING AT EXACT SPAN LENGTHS OF 6' (1.83 M) OR 8' (2.44 M), AND USING POST-TO-POST CONFIGURATION, THE BOTTOM RAIL WILL NOT NEED TO BE CUT, BUT THE TOP RAIL WILL NEED TO BE MEASURED AND CUT.
- » IF INSTALLING AT EXACT SPAN LENGTHS OF 6' (1.83 M) OR 8' (2.44 M), AND USING CROSSOVER POST CONFIGURATION (SPANS FROM ONE CROSSOVER POST TO ANOTHER CROSSOVER POST), BOTH THE BOTTOM RAIL AND TOP RAIL WILL NOT NEED TO BE CUT.
- » IN ADDITION, AT ALL FINAL END POST CONFIGURATIONS, TOP RAIL WILL NEED TO BE MEASURED AND CUT.
- » SEE INFORMATION WITHIN DETAILED INSTRUCTIONS FOR MORE INFORMATION.

PARTS



TOOLS NEEDED



NOTES:

- » Trex Assembled Signature Panels **DO NOT** come with foot blocks. You must purchase foot blocks separately. SKU – BKALFTBLK (one per panel required on spans greater than 6', see note below***).
- » Trex Assembled Signature Panels **DO NOT** come with brackets and screws. You must purchase the horizontal rail hardware separately. SKU – BKFHBKTAL (one per panel).

- A. Signature upper rail cover*
 - 6' (actual length 73-1/2" [1867 mm])
 - 8' (actual length 97-1/2" [2477 mm])
- B. Signature Panel (includes top and bottom railings and square balusters)
- C. Crossover bracket cover (supplied with crossover post)
- D. Signature crossover post**
 - 36" (actual length 34-1/2" [876 mm])
 - 42" (actual length 40-1/2" [1029 mm])
- E. Signature foot block***
- F. Signature post skirt or post sleeve skirt**
- G. Signature post**
 - 2-1/2"
 - 36" (actual length 37" [940 mm])
 - 42" (actual length 43" [1092 mm])
 - or Trex 4x4 post sleeve**
 - 36" (actual length 39" [991 mm])
 - 42" (actual length 45" [1143 mm])
- H. Signature post cap or post sleeve cap**

- I. Signature upper rail bracket and cover
- J. Signature lower rail bracket and cover
- K. Trex decking
- L. Code-approved wood joist 2" x 8" (51 mm x 203 mm) or larger
- M. Trex™ Fascia
- N. Code-approved wood rim joist 2" x 8" (51 mm x 203 mm) or larger

- * Covers are slightly longer to accommodate crossover post applications.
- ** Item not included in Signature Panel kits. Both 4" x 4" (102 mm x 102 mm) and 6" x 6" (152 mm x 152 mm) post sleeves are designed to fit over 4" x 4" pressure-treated post.
- *** Required ONLY for all clear span applications over 6' (1.83 m) when fixed baluster is centered or unsupported spans greater than 5' (1.52 m). For example, if an 8' (2.44 m) panel is cut into a 5-1/2' (1.68 m) section, it would require a footblock due to the off-center placement of the fixed baluster.

NOTE: If installing 42" (1067 mm) railing, and using pressure-treated posts with Trex post sleeves, ensure that a longer pressure-treated post is used along with longer post sleeve, both cut to a height of 46" (1168 mm) from decking surface.

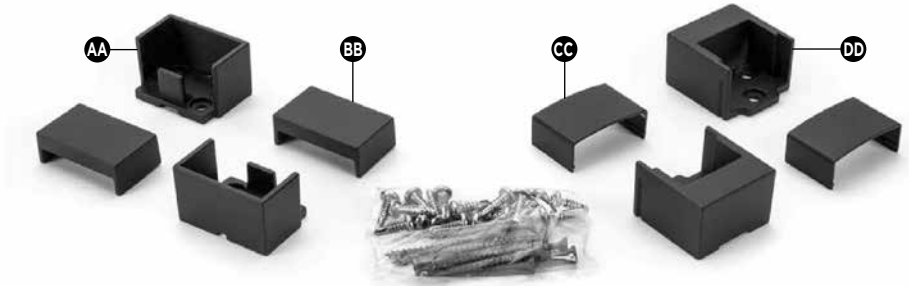
TREX SIGNATURE (Formerly Reveal) PANELS

Installation Instructions

BRACKET HARDWARE - HORIZONTAL APPLICATIONS (INCLUDING HORIZONTAL SWIVEL BRACKETS) TREX SIGNATURE

HORIZONTAL RAILING HARDWARE

- AA. Lower rail bracket
- BB. Lower rail bracket cover
- CC. Upper rail bracket cover
- DD. Upper rail bracket



FOOT BLOCK COMPONENTS

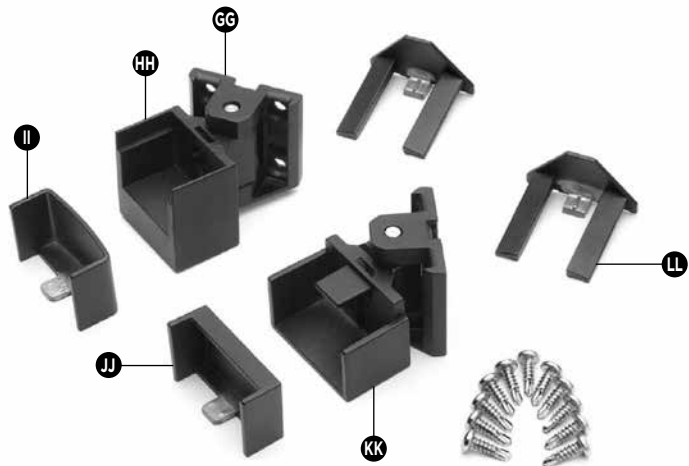
- EE. Foot block base
- FF. Foot block support



HORIZONTAL SWIVEL HARDWARE

- GG. Swivel base
- HH. Horizontal swivel bracket top rail
- II. Horizontal swivel bracket top rail cover
- JJ. Horizontal swivel bracket bottom rail cover
- KK. Horizontal swivel bracket bottom rail
- LL. Swivel base cover

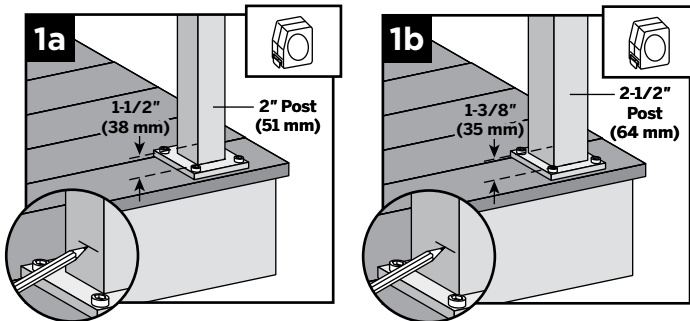
NOTE: For measurements and detailed horizontal swivel hardware installation instructions, please see Trex.com or the complete installation guide.



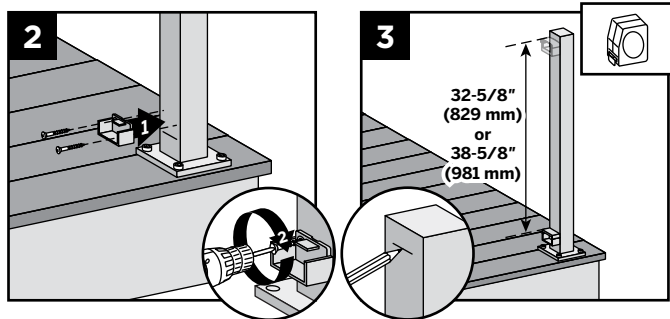
HOW TO INSTALL PANELS TREX SIGNATURE

Attach Brackets Using Signature Posts

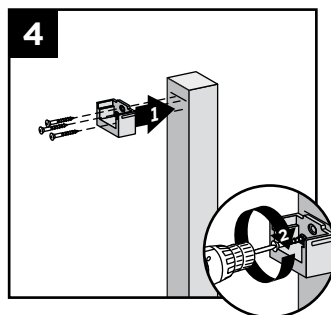
TIP: Use a clamp to help hold brackets in place while fastening with screws.



- 1a. When using 2" (51 mm) post, for both post-to-post and post-to-crossover post configurations, measure 1-1/2" (38 mm) up from top of post base plate (or 1-7/8" [48 mm] from decking surface). Mark with light line.
- 1b. When using 2-1/2" (64 mm) post, measure 1-3/8" (35 mm) from top of post base plate or 1-7/8" (48 mm) from decking surface. Mark with light line.



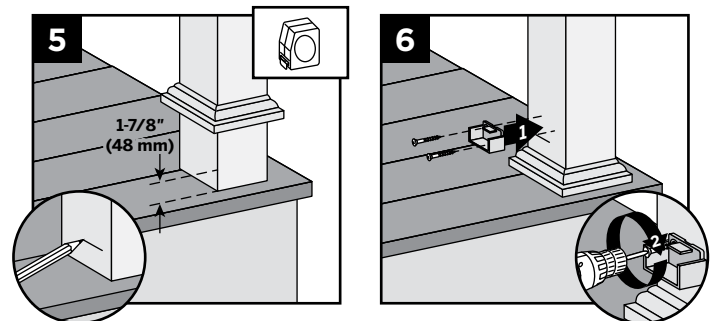
2. Center lower bracket on post **above** the marked line and attach using two self-tapping screws (provided).
3. Measure up 32-5/8" (829 mm) for 36" (914 mm) tall railing or 38-5/8" (981 mm) for 42" (1067 mm) tall railing from top of lower rail bracket. Mark with a light line.
4. Center upper bracket on post **below** marked line and attach using (3) self-tapping screws (provided).



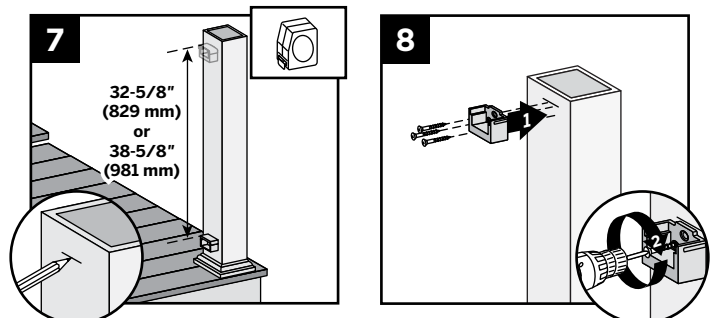
NOTE: Upper bracket is not required on crossover post configuration.

Attach Brackets Using Pressure-Treated Posts and Post Sleeves

TIP: Use a clamp to help hold brackets in place while fastening with screws.



5. Measure 1-7/8" (48 mm) up from deck surface to bottom of bracket. Slide skirt up to allow for proper measurement, then push skirt back down onto surface of decking **BEFORE ATTACHING BRACKET**. Mark with light line.
6. Center lower bracket on post **above** the marked line and attach using two 2" (51 mm) wood screws (provided).



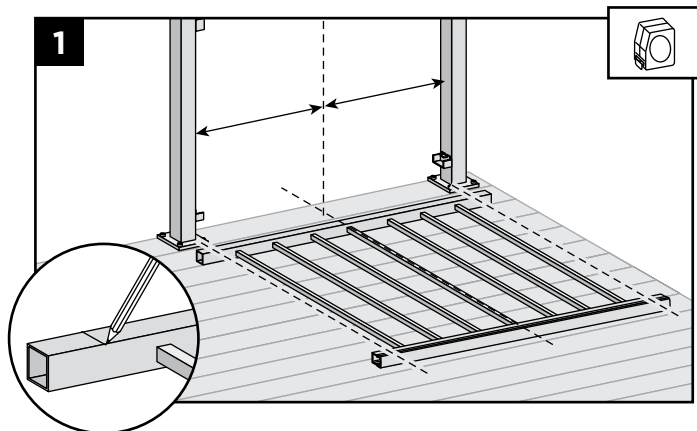
7. Measure up 32-5/8" (829 mm) for 36" (914 mm) tall railing or 38-5/8" (981 mm) for 42" (1067 mm) tall railing from top of lower rail bracket. Mark with a light line.
8. Center upper bracket on post **below** marked line and attach using three 2" (51 mm) wood screws (provided).

TREX SIGNATURE (Formerly Reveal) PANELS

Installation Instructions

HOW TO INSTALL PANELS/CONTINUED TREX SIGNATURE

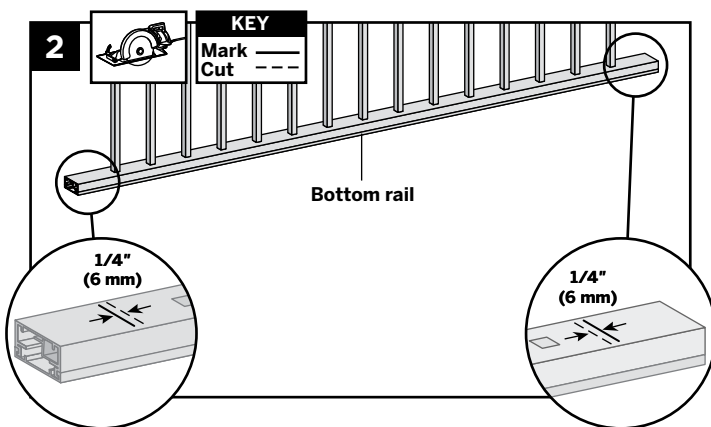
How to Measure and Cut Bottom and Top Railings of Signature Panel (When REQUIRED)



1. Position panel between posts and align with bottom bracket. Align center baluster with middle of span between posts (this will allow for equal spacing between end balusters and each post). Mark bottom and top rail at each end.

NOTE: If the end balusters fall too close to the brackets, the center point can be adjusted one baluster to the left or right to allow more room.

Cutting Bottom Rail

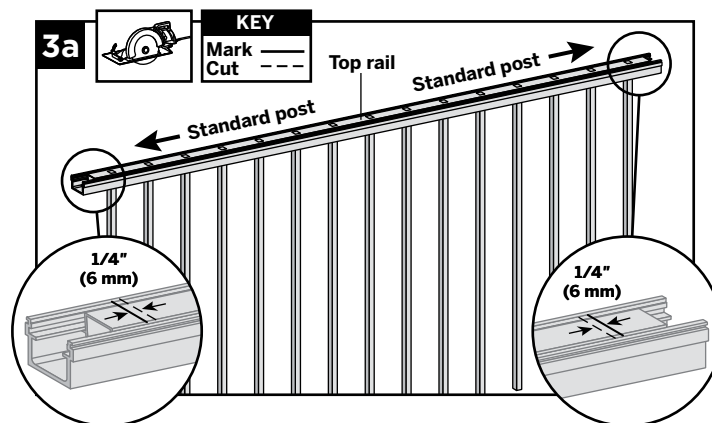


2. Using a saw equipped with a non-ferrous metal blade, cut each end of bottom rail and bottom rail insert 1/4" (6 mm) shorter than mark on each end to allow for fit into bottom rail brackets.

Cutting Top Rail

Option 1:

For Post-to-Post Configuration

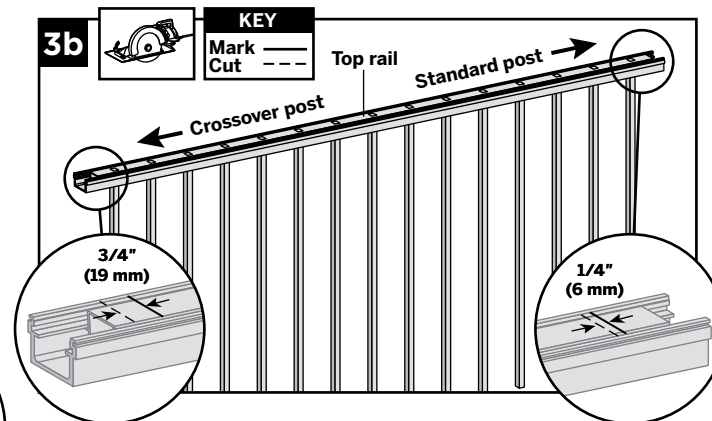


- 3a. Using a saw equipped with a non-ferrous metal blade, cut each end of top rail 1/4" (6 mm) shorter than mark to allow for fit into top rail brackets.

Cutting Top Rail

Option 2:

For Post-to-Crossover Post Configuration



- 3b. Top rail must be cut differently on each side of the rail. Railing side that attaches to standard post should be cut 1/4" (6 mm) shorter than the mark to allow for fit into top rail bracket. Railing side that attaches to the crossover post should be cut 3/4" (19 mm) **LONGER** than the mark to allow for fit into the crossover post bracket.

4

Have Questions?
1-800-BUY-TREX

NOTE: Construction methods are always improving. Please ensure you have the most up-to-date installation instructions by visiting: trex.com

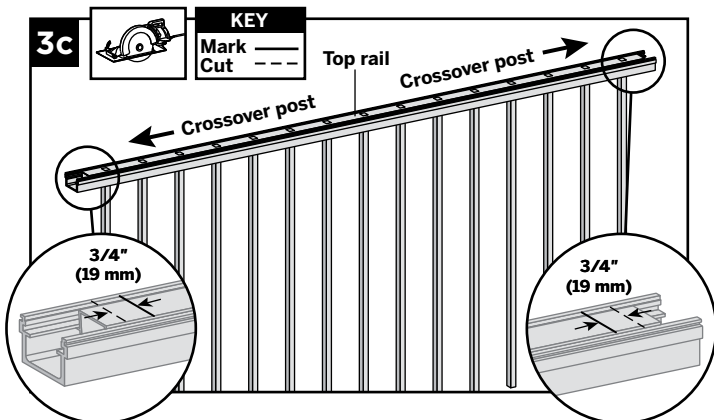
TSP-1216

HOW TO INSTALL PANELS/CONTINUED TREX SIGNATURE

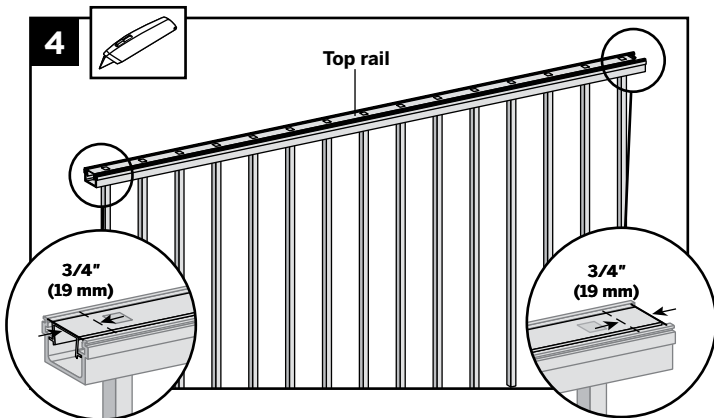
Cutting Top Rail

Option 3:

For Crossover Post-to-Crossover Post Configuration

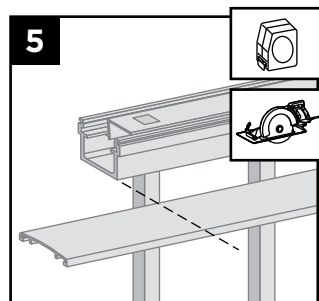


3c. Cut each end of top rail 3/4" (19 mm) **LONGER** than the mark to allow for fit into the crossover post bracket on each side.

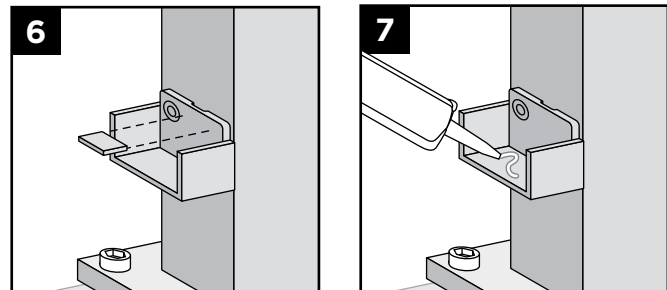


4. Using razor knife or other cutting tool, cut rail insert 3/4" (19 mm) **FROM EACH SIDE**.

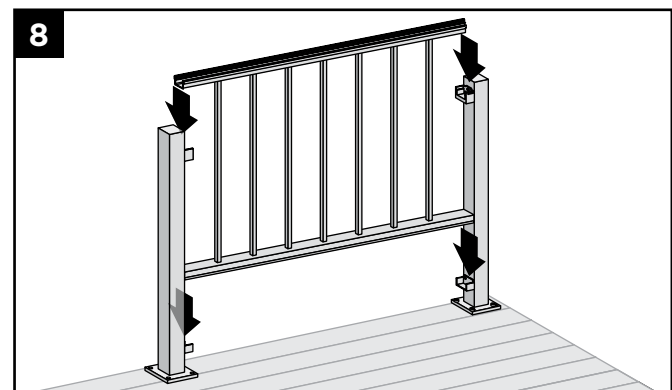
5. Mark and cut top rail cover same length as top rail for all top rail configurations.



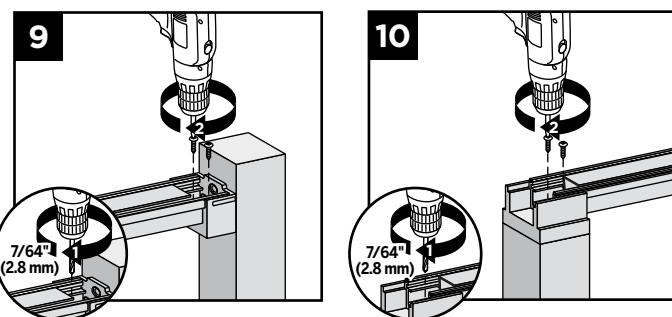
Install Signature Panel



6. Break or cut the bottom tab off the bottom brackets.
7. Put a dab of silicone in the basket of the bottom bracket to prevent rattle.



8. Place panel in bottom and top brackets.



9. For post-to-post configuration, fasten upper rail to each bracket by installing screws diagonally through upper rail into bracket using two self-tapping screws each side (*provided with bracket kit*).

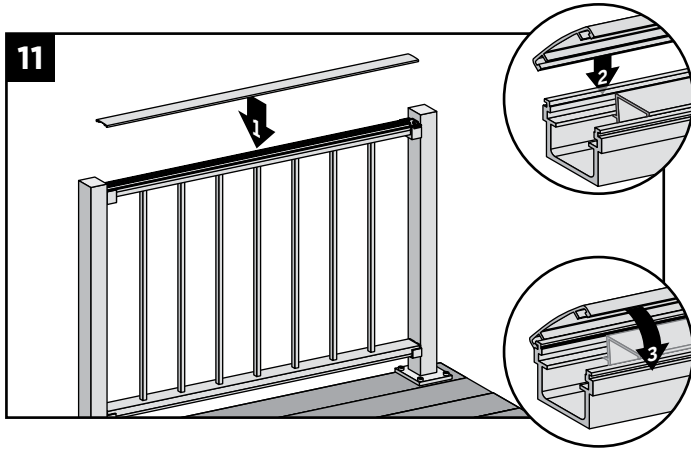
10. For crossover post configuration, fasten upper rail to crossover post by installing screws diagonally through upper rail into post using two self-tapping screws each side (*provided with bracket kit*).

NOTE: Pre-drilling is recommended (7/64" [2.8 mm] drill bit) for attachment of railing to bracket.

TREX SIGNATURE (Formerly Reveal) PANELS

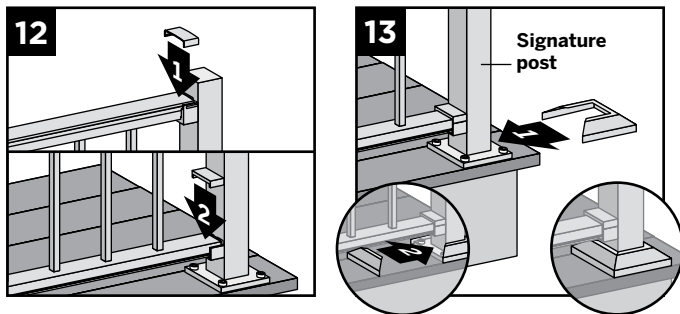
Installation Instructions

HOW TO INSTALL PANELS/CONTINUED TREX SIGNATURE

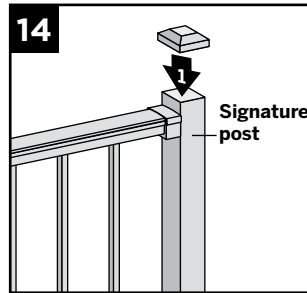


11. Attach upper rail cover to upper rail by aligning cover on one side of rail. Then starting from one end of rail, snap cover onto opposing slot working down length of rail. A **rubber mallet** may facilitate the fastening, using **GENTLE** tapping.

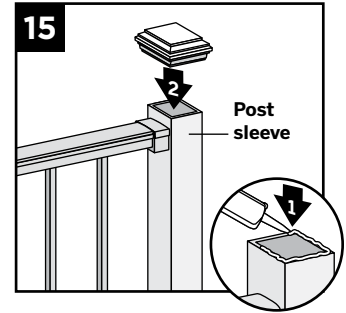
Attachment of Bracket Covers, Skirts, and Caps



12. Attach corresponding bracket covers over opening in upper and bottom rails.
13. Attach provided post skirt to bottom of posts when using Signature posts.

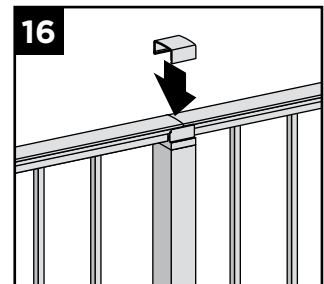


14. Attach post caps to Signature posts (use of **rubber mallet** may be required for secure attachment).



15. Attach post caps to post sleeves using external grade PVC construction adhesive.

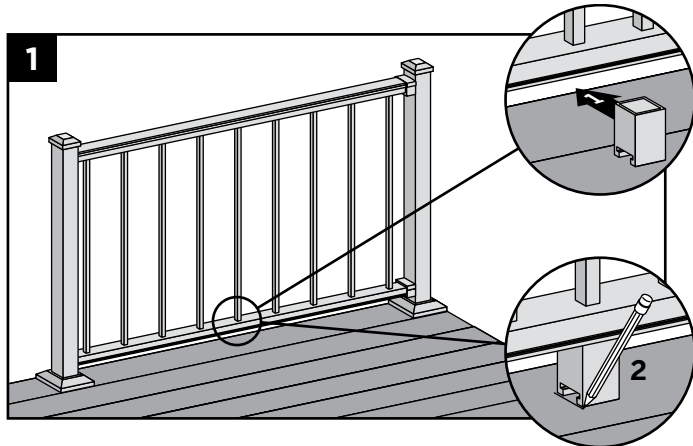
16. For crossover post configuration, attach crossover post cap to crossover post.



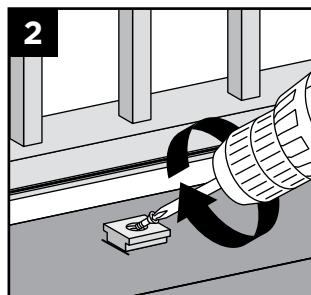
HOW TO INSTALL FOOT BLOCKS - PANELS TREX SIGNATURE

Attachment of Foot Block (Required ONLY for All Clear Span Applications Over 6' [1.83 m])

NOTE: Pre-drilling is recommended (1/8" [33 mm] drill bit) for attachment of base.



1. To ensure correct location, place foot block under center of bottom rail. Mark to provide placement location of base.
2. Place base (smaller side facing down) on decking surface. Attach base of foot block using one screw at an angle through base and into decking.



3. After attached, use a **rubber mallet along with scrap piece of wood** to tap foot block until it locks into place.

