

# TREX SELECT® CLASSIC STAIR RAILING

## Instructions - Clear Span Applications



### IMPORTANT NOTES:

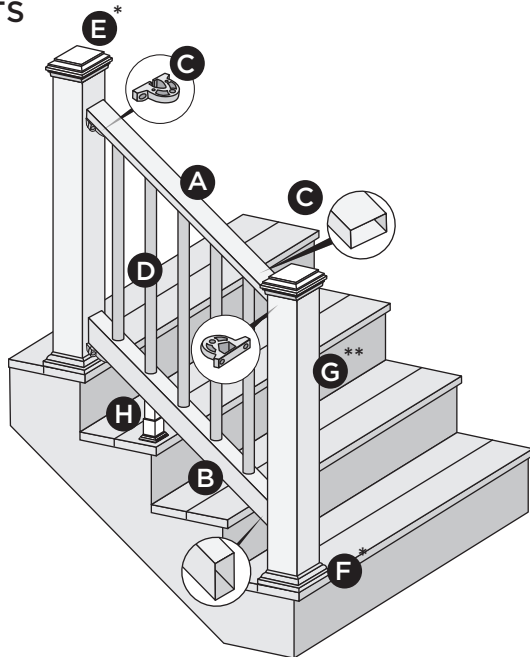
- » TREX SELECT CLASSIC RAILINGS ARE DESIGNED TO BE INSTALLED OVER THE DECKING FRAME OR ON INSIDE OF RIM JOIST. NOTCHING OF PRESSURE-TREATED POSTS OR POSTS INSTALLED ON OUTSIDE OF RIM JOIST IS NOT ALLOWED.
- » POST TO POST SPAN WILL BE LESS THAN 6' OR 8'. PRIOR TO INSTALLING POSTS CALCULATE POST TO POST SPAN USING A MAXIMUM RAIL LENGTH REQUIRED AND THE ANGLE (32°-37°) AT WHICH THE RAILS WILL BE INSTALLED. DO NOT INSTALL STAIR POSTS AT 6' OR 8' SPAN, AS STAIR RAILINGS WILL THEN BE TOO SHORT.
- » IF INSTALLING STAIR RAILING OVER 6', THE TREX ALUMINUM RAIL STIFFENER MUST BE USED TO MEET CODE REQUIREMENTS.

### Care and Cleaning

Maintaining the appearance of your Trex Select railing is important. The occasional wash is recommended as over time your railing may show signs of weathering as a result of exposure to the elements. The frequency of cleaning will depend on the environment and exposure to various types of elements.

- » Clean railing using a standard cleaning vinegar or mild soap and water.
- » For more detailed cleaning recommendations please refer to the Trex Railing Care and Cleaning guide found on [www.trex.com](http://www.trex.com).

### PARTS



- A. Select Classic Stair Top Rail
- B. Select Classic Stair Bottom Rail
- C. Brackets
- D. Round Balusters
- E. Post sleeve cap\*
- F. Post sleeve skirt\*
- G. Post sleeve - 4" x 4" (102 mm x 102 mm) or 6" x 6" (152 mm x 152 mm)\*\*
- H. Adjustable foot block (quantity of one is required for all railing span lengths)

\* Item not included in the Select railing kits.

\*\* Both 4" x 4" (102 mm x 102 mm) and 6" x 6" (152 mm x 152 mm) post sleeves are designed to fit over 4x4 pressure-treated post.

### DETERMINING BALUSTERS NEEDED

Baluster Type	Per 6' Section	Per 8' Section
Round Aluminum Baluster(Stair Application)	13	17

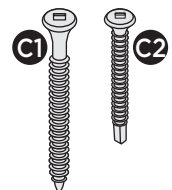
### NOTES:

- » In most cases, a post and post sleeve longer than 39" (991 mm) will be needed on the lower section of stair rail to accommodate stair angle.
- » Make sure top and bottom posts for stairs are installed at nose of each tread.
- » Ensure pressure-treated posts are installed at proper heights so when post sleeves are installed, both the PT post and post sleeve are flush at top.
- » \*See specific installation instructions for attachment of Trex post mounts or Trex Joist Mount Posts prior to installing any railing.
- » If installing stair railing over 6', Trex Select 8' ALUMINUM RAIL STIFFENER (sku SELALRAILSTIFFENER) MUST ALSO BE USED. Sold separately.

### Screws Supplied with Brackets

C1. Wood screw for attachment of bracket to wood post/composite sleeve

C2. Self-drilling rail screw for attachment of railing to bracket

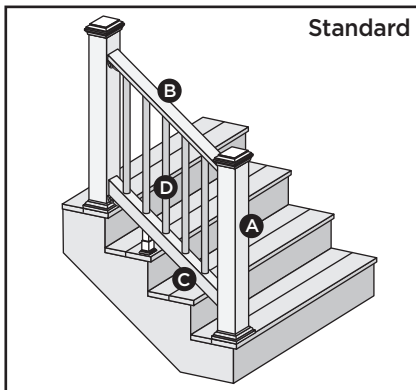


# TREX SELECT® STAIR RAILING

## Installation Instructions

### TREX SELECT® STAIR RAILING CONFIGURATIONS

Note: See specific installation instructions for attachment of Trex Post Mounts or Trex Joist Mount Posts prior to installing any railing.



Cutting post sleeves is **NOT** required.

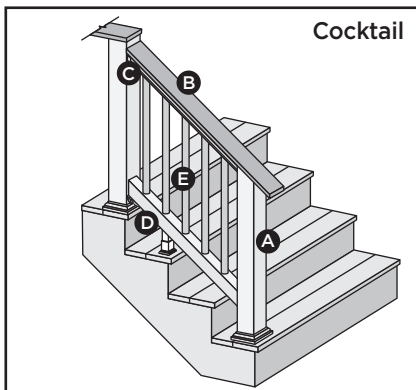
A. Pressure-Treated post/Trex 4x4 or 6x6 post sleeve, Trex post mount/  
Trex 4x4 or 6x6 post sleeve, or joist mount post/Trex 4x4 or 6x6 post  
sleeve (INSIDE MOUNT ONLY).

B. Select Stair top rail

C. Select Stair bottom Rail

D. Round Aluminum Balusters

See page 3 for "How to Install Standard Stair Railing".



Post sleeves **WILL NEED TO BE CUT**.

A. Pressure-treated post with Trex post sleeve

**NOTE:** » Only for use with 4" x 4" (102 mm x 102 mm) post  
sleeve

» Trex post mounts or joist mount posts cannot be  
used with Select Stair cocktail design

B. Deck board top rail (1 x 6 or 2 x 6). **NOTE:** Enhance  
cannot be used.

C. Select Stair top rail

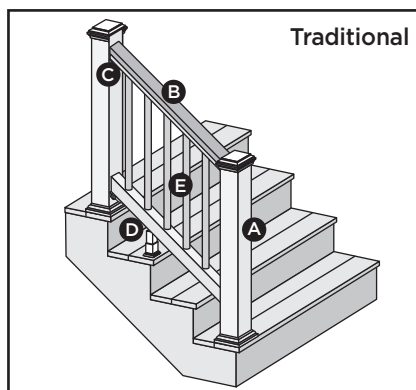
D. Select Stair bottom rail

E. Round Aluminum Balusters

See page 6 for "How to Install Cocktail Stair Railing".

**POST  
SLEEVES  
WILL  
NEED TO  
BE CUT**

**NOTE:** Additional pan head screws will need to be purchased-see detailed  
instructions.



Cutting post sleeves is **NOT** required.

A. Pressure-Treated post/Trex 4x4 or 6x6 post sleeve, Trex post mount/  
Trex 4x4 or 6x6 post sleeve, or joist mount post/Trex 4x4 or 6x6 post  
sleeve (INSIDE MOUNT ONLY).

B. 2 x 4 lateral top rail

C. Select Stair top rail

D. Select Stair bottom rail

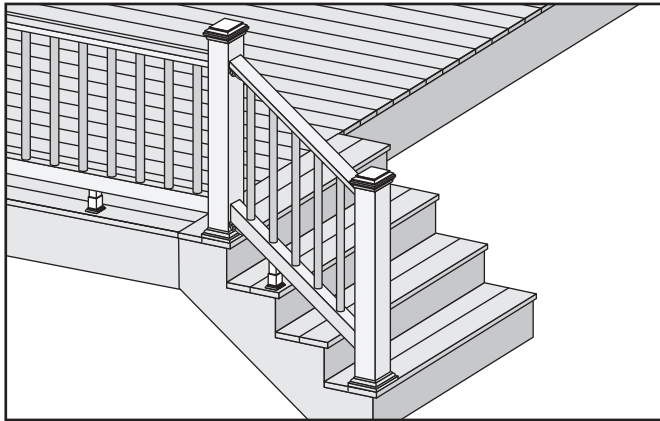
E. Round Aluminum Balusters

See page 7 for "How to Install Traditional Stair Railing".

**NOTE:** Additional pan head screws will need to be purchased - see detailed  
instructions.

# HOW TO INSTALL STANDARD STAIR RAILING

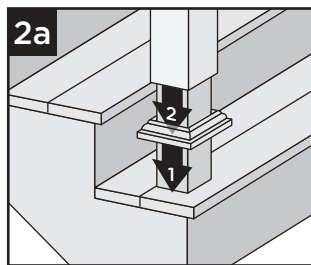
## TREX SELECT®



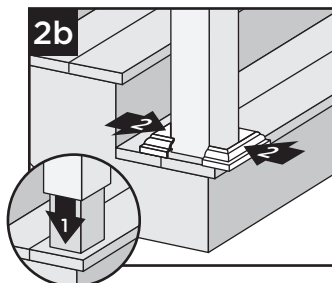
1. **Installing Pressure-Treated Posts**
  - » **PLEASE REFER TO LOCAL BUILDING CODE REQUIREMENTS PRIOR TO ATTACHING PRESSURE TREATED POSTS.**
  - » **PRESSURE TREATED POSTS MUST BE INSTALLED ON INSIDE OF STAIR STRINGER AND AT NOSE OF STAIR TREAD.**
  - » **POST TO POST SPAN WILL BE LESS THAN 6' OR 8'. PRIOR TO INSTALLING POSTS CALCULATE POST TO POST SPAN USING A MAXIMUM RAIL LENGTH REQUIRED AND THE ANGLE (32°-37°) AT WHICH THE RAILS WILL BE INSTALLED. DO NOT INSTALL STAIR POSTS AT 6' OR 8' SPAN, AS STAIR RAILINGS WILL THEN BE TOO SHORT.**
  - » *Post sleeve longer than 39" (991 mm) will be needed on the lower section of stair rail to accommodate stair angle.*

### Installing Post Sleeve Skirts and Post Sleeves

2a. If using a 1-piece skirt, slide post sleeve skirt over post and down to rest on decking surface. Slide post sleeve over post and position inside post sleeve skirt.



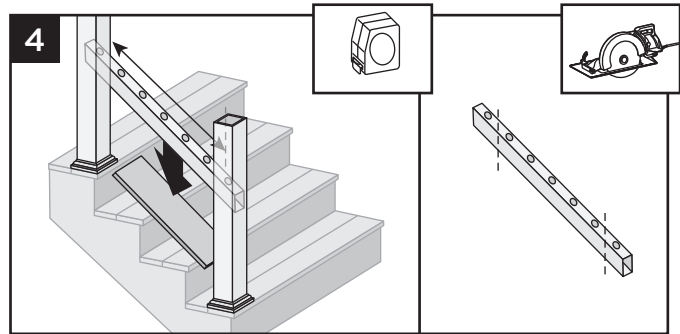
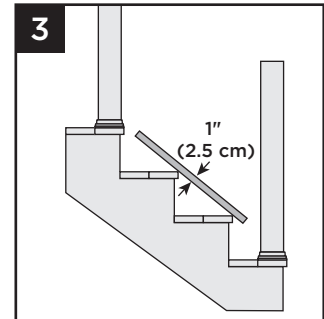
2b. If using a two-piece skirt Slide post sleeve over post and down to rest on decking surface. Snap two piece skirt over post sleeve.



**Note:** Shims can be used to plumb post sleeves.

### Measuring and Cutting Bottom Rail

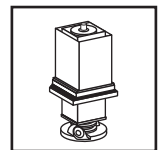
3. Place a 1" deckboard on the nose of the stair tread.



4. Set railing on top of deckboard, making sure baluster holes are vertically aligned and mark line at each intersection. **When measuring, cut equal lengths from each side of railing allowing a minimum of 2" (51 mm) on each end from the last baluster hole to the end of the rail.** This will ensure proper baluster and bracket placement and equal spacing of balusters per each railing section.

### IMPORTANT NOTE REGARDING FOOT BLOCK INSTALLATION:

- » Refer to detailed instructions (Trex Select rail instructions) included with foot block prior to installation of railing section as these include other required steps for proper installation.

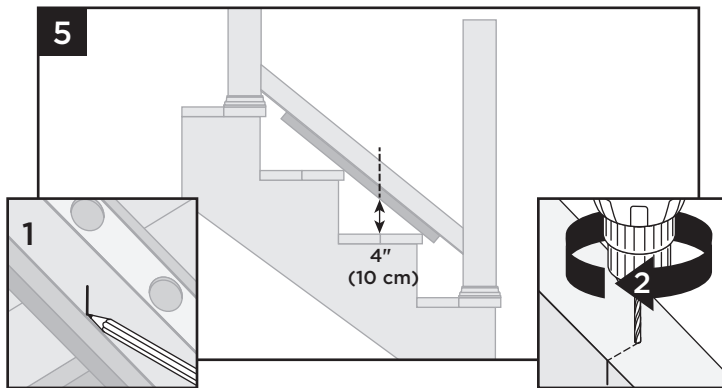


# TREX SELECT® STAIR RAILING

## Installation Instructions

### HOW TO INSTALL STANDARD STAIR RAILING/CONTINUED TREX SELECT®

#### Marking Location for Foot Block to Bottom Rail

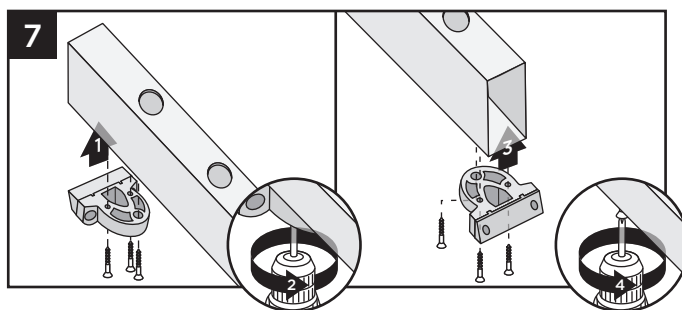
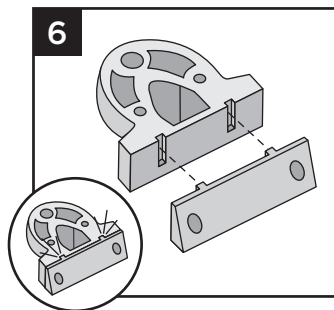


5. Mark approximate location for foot block, allowing a measurement of 4" maximum. Invert the bottom rail, and at marked location drill a hole using a 3/16" drill bit in the center of the channel. Foot block is to be installed at last step.

#### Attaching Brackets to Bottom Rail

6. Snap the top stair adaptor bracket (labeled TOP) to the standard bracket. Repeat for remaining bottom bracket.

**TIP:** Use a dab of super glue when snapping bracket together. This will help stabilize bracket when installing.



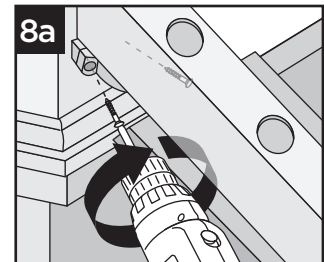
7. On the **BOTTOM RAIL**, attach the assembled bottom stair brackets to the **OPPOSITE SIDE** of the baluster holes. Attach both brackets using three #8-18x1" selfdrilling screws (provided).

#### Attachment of Bottom Rail to Post

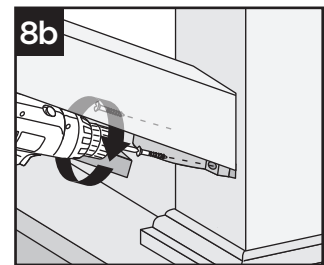
**NOTE:** For attachment of brackets to posts, use at least a 3" long drill bit or extension so as to not damage sides of rails when installing.

**TIP:** Pre-drill prior to screw installation using a 7/64" drill bit

- 8a. Keeping deck board on stair treads, center bottom rail between posts and attach bottom rail stair bracket to upper post using two #9-16 x 3" wood screws (provided).

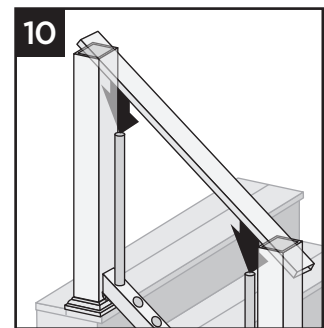
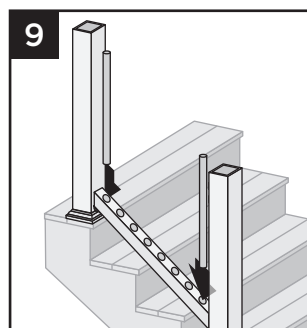


- 8b. Attach bottom stair rail stair bracket to lower post using two #9-16 x 3" wood screws (provided). (deck board can now be removed).



**IMPORTANT NOTE:**  
**SET DRILL TO LOW SPEED AND LOW CLUTCH SETTING WHEN INSTALLING THESE SCREWS. DO NOT USE IMPACT DRIVER.**

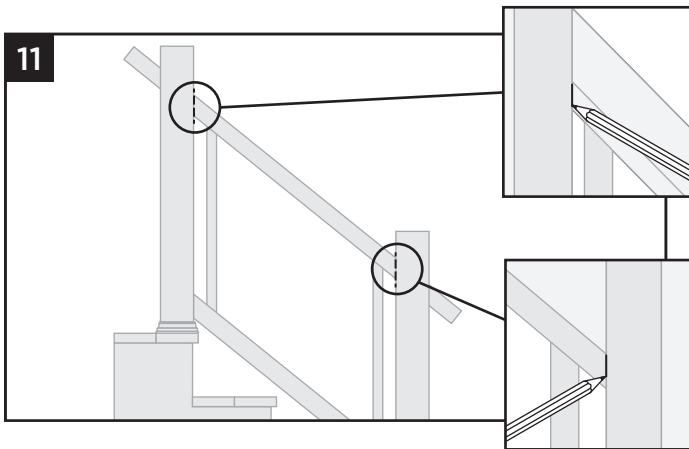
#### Measuring and Cutting Top Stair Rail



9. Place two balusters into lower stair rail at each end closest to the post.
10. Position top stair rail onto balusters, ensuring balusters are fully seated in rail (position to side of post), and **ENSURE** balusters are spaced evenly **AND** parallel with posts.

4

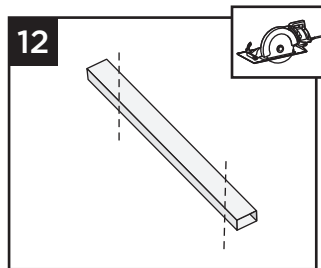
## HOW TO INSTALL STANDARD STAIR RAILING/CONTINUED TREX SELECT™



11. Mark top stair rail at post intersections.

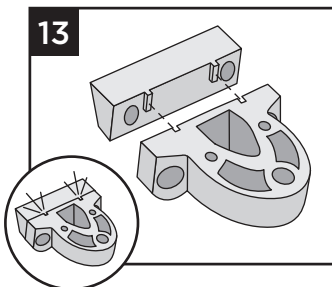
12. Remove rail, and cut along the marks.

**NOTE:** Verify the height of the railing before installing rail to post to ensure this meets proper height requirements for stairs.

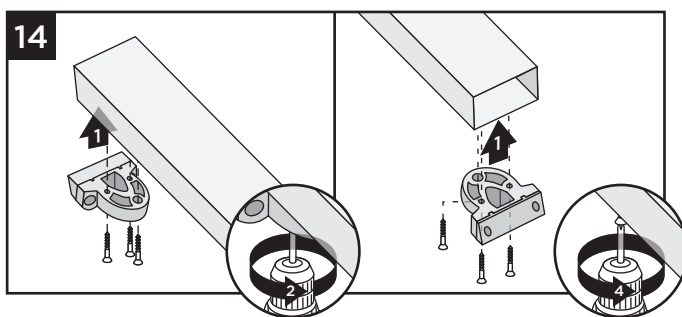


### Attaching Brackets on Top Stair Rail

13. Snap the top stair adaptor bracket (labeled TOP) to the standard bracket. Repeat for remaining bracket.



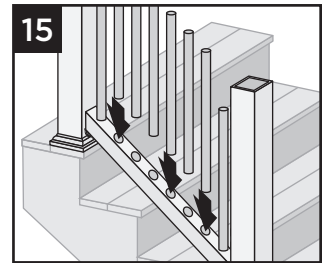
**TIP:** Use a dab of super glue when snapping bracket together. This will help stabilize bracket when installing.



14. On the TOP RAIL, attach the assembled stair brackets to the side WITH the baluster holes. Attach both brackets using three #8-18x1" self-drilling screws (provided).

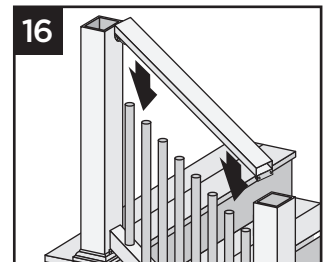
### Installing Balusters

15. Slide remaining balusters into bottom rail until balusters are fully seated.



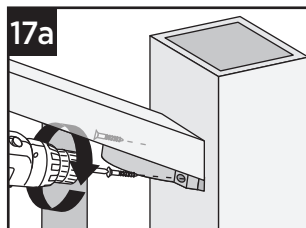
### Attachment of Top Rail to Post

16. Place top rail onto balusters, allowing the top rail to rest on the surface of the balusters.

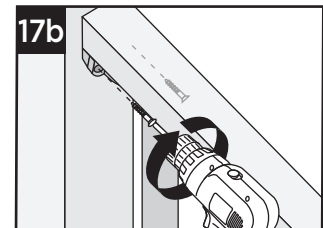


**NOTE:** For attachment of brackets to posts, use at least a 3" long drill bit or extension so as to not damage sides of rails when installing.

**TIP:** Pre-drill prior to screw installation using a 7/64" drill bit



17a. Attach top stair rail bracket to upper post using two #9-16 x 3" screws (provided).

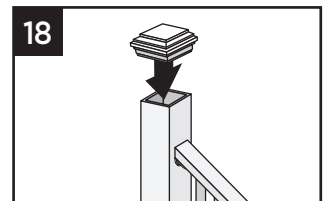


17b. Attach top stair rail bracket to lower post using two #9-16 x 3" screws (provided).

**IMPORTANT NOTE:** SET DRILL TO LOW SPEED AND LOW CLUTCH SETTING WHEN INSTALLING THESE SCREWS. DO NOT USE IMPACT DRIVER.

### Attaching Post Caps and Installing Foot Block

18. Secure post caps with silicone or PVC adhesive (apply adhesive on the inside self-centering/corner tabs). Attach Foot Block per Foot Block instructions.



**NOTE:** Clean up any excess adhesive before it dries.

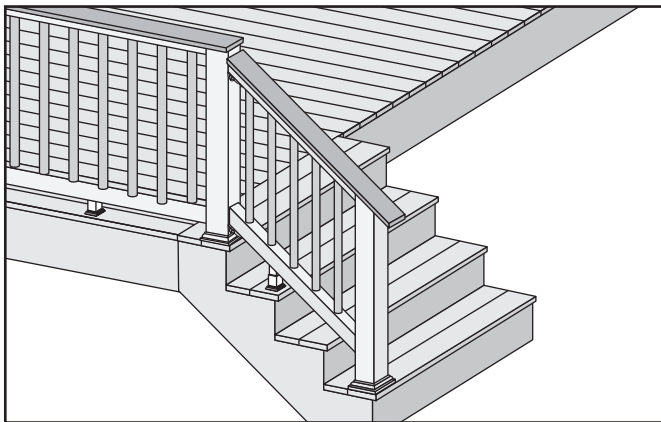
# TREX SELECT® STAIR RAILING

## Installation Instructions

### HOW TO INSTALL COCKTAIL STAIR RAILING TREX SELECT®

#### IMPORTANT NOTES:

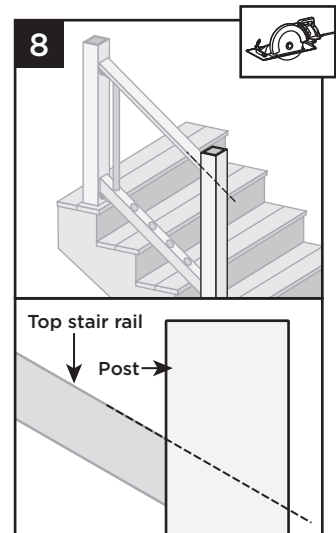
- » Only for use with pressure-treated 4 x 4 post (3.5" nominal square) and 4" x 4" (102 mm x 102 mm) post sleeve. Trex post mounts or joist mount posts cannot be used with Trex Select stair cocktail. Cutting post and post sleeve only apply to the Cocktail style railing.
- » THE DECK BOARD USED IN SELECT STAIR COCKTAIL RAILING WILL NEED TO TERMINATE AT THE UPPER STAIR POST AS SHOWN BELOW. THE DECK BOARD WILL HAVE TO BE TOENAILED INTO THE SIDE OF THE POST IN THESE AREAS USING 2 APPROPRIATE COMPOSITE DECKING SCREWS - PRE-DRILLING IS RECOMMENDED.



1. **Installing Pressure-Treated Posts**  
See instructions on page 3. (See note above in regards to not cutting post/post sleeve).
2. **Installing Post Sleeve Skirts and Post Sleeves**  
See instructions on page 3.
3. **Measuring and Cutting Bottom Stair Rail**  
See instructions on page 4.
4. **Marking Location for Foot Block to Bottom Rail**  
See instructions on page 4.
5. **Attaching Brackets to Bottom Rail**  
See instructions on page 4.
6. **Attachment of Bottom Rail to Post**  
See instructions on page 4.
7. **Measuring and Cutting Top Stair Rail**  
See instructions on page 4.

#### Cutting Post and Post Sleeve

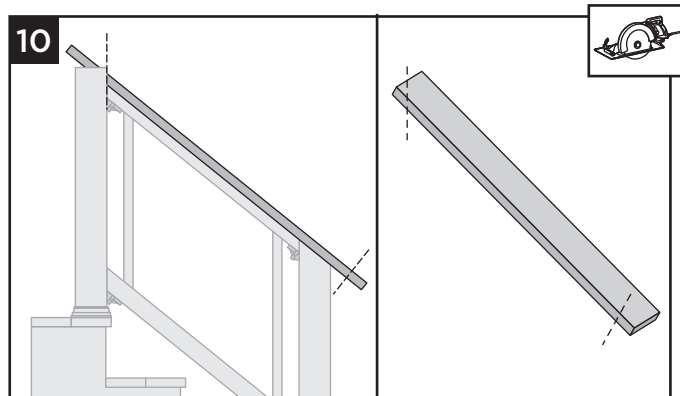
8. Cut lower post/post sleeve at proper angle so this is flush with the top of the top rail.



#### 9. Attaching Brackets on Top Stair Rail

See instructions on page 5.

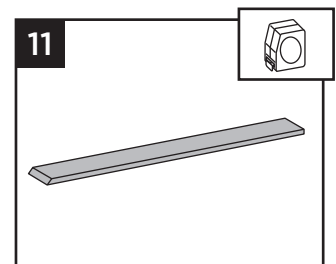
#### Measuring and Cutting Deck Board



10. Measure accordingly and cut deck boards to appropriate length of railing span also allowing for additional decking material that will be installed over the lower stair rail post.

#### Attaching Deck Board to Select Top Stair Rail

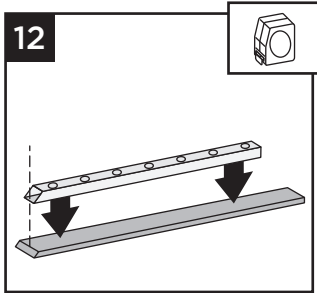
11. Place inverted deck board (place top side of deck board down) on clean, flat surface.



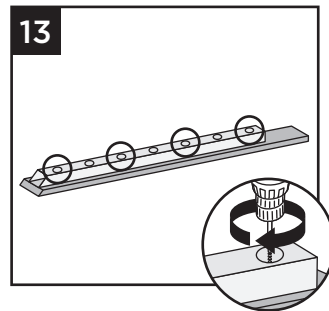
## HOW TO INSTALL COCKTAIL STAIR RAILING/*CONTINUED* TREX SELECT®

### Attaching Deck Board to Select Top Rail

12. Place inverted Select top rail (orient properly so baluster holes are shown top side up), on the deck board so the angled cuts will align properly along with centering the top rail on the deck board.



13. Secure deck board to Select top rail with 3/4" screws provided approximately every 16" on center. Screws are to be installed inside of the baluster holes into the decking board.



#### NOTES:

- » **DO NOT** overtighten.
- » Note that a long drill bit will be required to fit inside the baluster holes.
- » If installing 8' rail section and using the Aluminum Rail Stiffener, predrilling will be required through the stiffener.

### 14. Installing Balusters

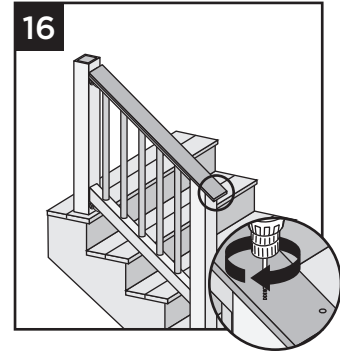
See instructions on page 5.

### 15. Attachment of Top Rail to Post

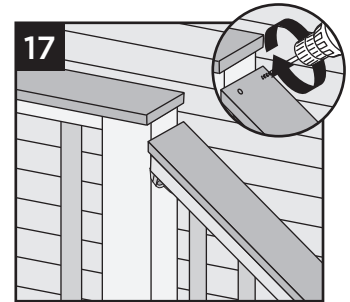
See instructions on page 5.

### Attachment of Deck Board to Post

16. Attach deck board to lower post with Trex-recommended composite screws (quantity of 2 per each post/board end).



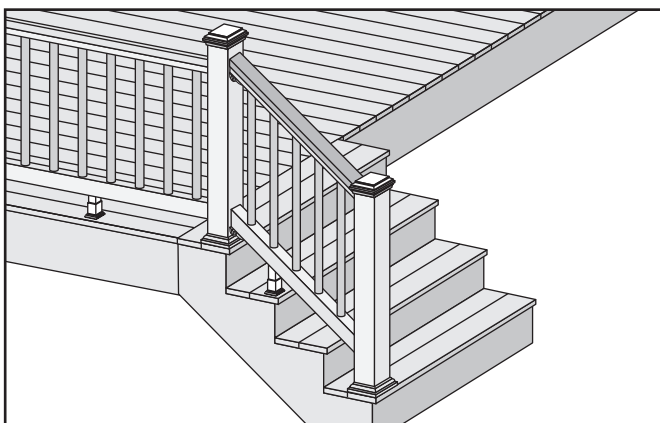
17. Where deck board terminates at upper post, PREDRILL and toenail two approved composite deck screws as shown into post, being careful to avoid hitting stair bracket.



### Installation of Foot Block

18. Attach foot block per foot block instructions.

## HOW TO INSTALL TRADITIONAL STAIR RAILING TREX SELECT®



### 1. Installing Pressure-Treated Posts

See instructions on page 3

### 2. Installing Post Sleeve Skirts and Post Sleeves

See instructions on page 3.

### 3. Measuring and Cutting Bottom Stair Rail

See instructions on page 4.

### 4. Marking Location for Foot Block to Bottom Rail

See instructions on page 4.

### 5. Attaching Brackets to Bottom Rail

See instructions on page 4.

# TREX SELECT® STAIR RAILING

## Installation Instructions

### HOW TO INSTALL TRADITIONAL STAIR RAILING/CONTINUED TREX SELECT®

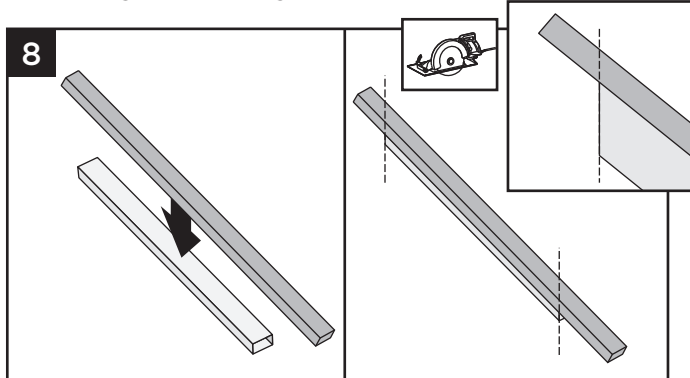
#### 6. Attachment of Bottom Rail to Post

See instructions on page 4.

#### 7. Measuring and Cutting Top Stair Rail

See instructions on page 4.

#### Measuring and Cutting 2 x 4



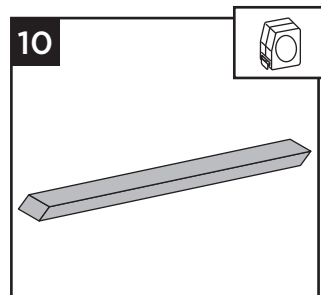
8. Using the cut top rail as template, cut 2 x 4 at same angle and length of the top rail.

#### 9. Attaching Brackets on Top Stair Rail

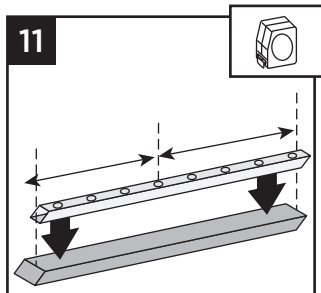
See instructions on page 5.

#### Attaching 2 x 4 to Select Top Rail

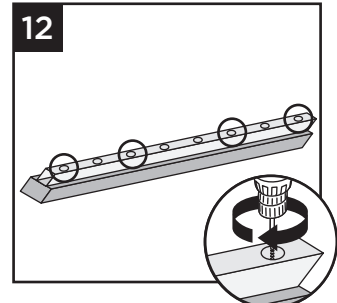
10. Place inverted 2 x 4 (top side face down) on clean, flat surface.



11. Place inverted Select top rail (orient properly so baluster holes are shown top side up) on 2 x 4.



12. Secure 2 x 4 to Select top rail with 3/4" screw provided approximately every 16" on center. Screws are to be installed inside of the baluster holes into the 2 x 4.



#### NOTES:

- » **DO NOT** overtighten.
- » Note that a long drill bit will be required to fit inside the baluster holes.
- » If installing 8' rail section and using Aluminum Rail Stiffener, predrilling will be required through the stiffener.

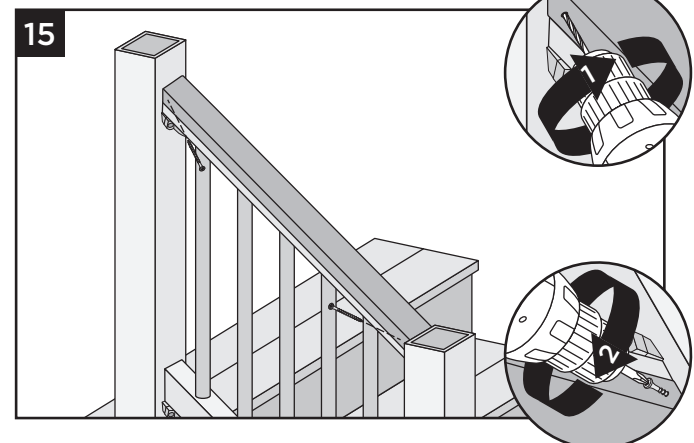
#### 13. Installing Balusters

See instructions on page 5.

#### 14. Attachment of Top Rail to Post

See instructions on page 5.

#### Attaching 2x4 to Post



15. Pre-drill a pilot hole and toenail 2-1/2" (6.4 cm) composite deck screw (not provided) at each end of 2 x 4 into post on outside of stair rail (side not facing decking).

#### 16. Attaching Post Caps and Installing Foot Block

See instructions on page 5.