

# TREX SIGNATURE® HORIZONTAL MESH RAILING Installation Instructions

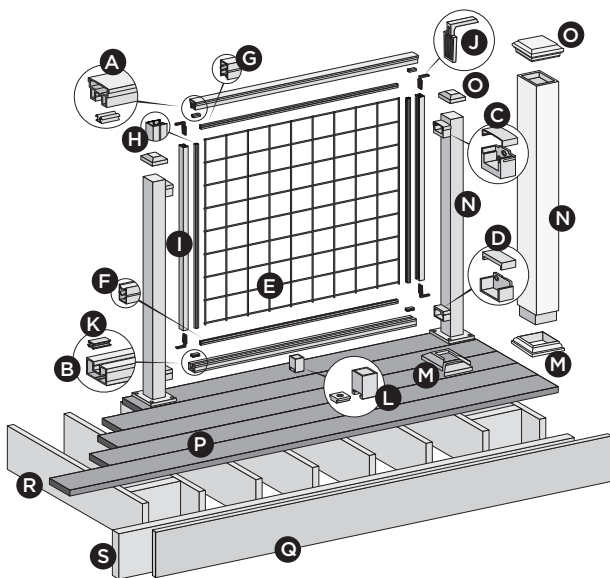


## NOTES:

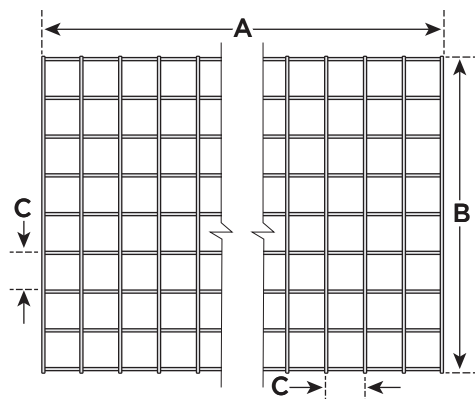
- » TREX SIGNATURE MESH RAILINGS ARE DESIGNED TO BE ATTACHED WITH POSTS INSTALLED AT A MAXIMUM CLEAR SPAN OF 6' (1.83M) OR 8' (2.44M).
- » MUST USE TREX DECK MOUNT POST HARDWARE AND METAL PLATE WHEN ATTACHING SIGNATURE POSTS IN GUARDRAIL APPLICATIONS.
- » FOR FULL SPAN INSTALLATIONS, MESH WILL NOT NEED TO BE CUT WITH THE EXCEPTION OF 6' X 42". IF INSTALLING AT THIS SIZE, PURCHASE 8' X 42" MESH AND CUT TO THE PROPER LENGTH.
- » ALWAYS REFER TO YOUR LOCAL BUILDING CODE OFFICIAL PRIOR TO INSTALLING ANY RAILING SYSTEM TO ENSURE ALL CODE AND SAFETY REQUIREMENTS ARE MET. TREX CANNOT BE HELD RESPONSIBLE FOR IMPROPER OR NON-RECOMMENDED INSTALLATIONS.
- » A FOOTBLOCK IS REQUIRED FOR ALL SPANS OF TREX SIGNATURE MESH RAIL. THUS THESE RAILING SPANS MUST BE INSTALLED OVER THE DECKING FRAME OR ON INSIDE OF RIM JOIST.
- » ENSURE THAT EACH MESH PANEL IS ORIENTED IN SAME DIRECTION FOR EACH SECTION PRIOR TO BEING INSTALLED.

## CURVED MESH INSTALLATION NOTES:

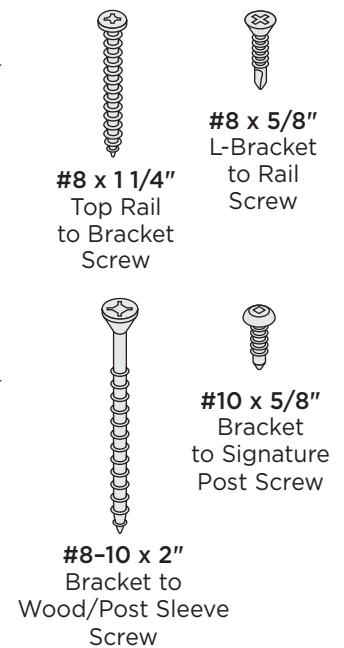
- » DESIGN AND FABRICATION FOR CURVED MESH RAILINGS MUST BE HANDLED BETWEEN TREX COMMERCIAL PRODUCTS (TCP) AND THE CONTRACTOR/CUSTOMER. FOR MORE INFORMATION VISIT [TREX.COM](http://TREX.COM) OR CALL 1-800-BUY-TREX.
- » CURVED MESH RAILING MUST BE INSTALLED USING HORIZONTAL SWIVEL BRACKETS.
- » FOLLOW ALL INSTRUCTIONS AS LISTED BELOW (WITH THE USE OF SWIVEL BRACKETS) FOR INSTALLATION OF CURVED MESH.



NOTE: IMAGE SHOWN HERE IS POST TO POST CONFIGURATION



MESH DIMENSIONS CHART			
	A	B	C
6' x 36" HZ	64"	32 3/8"	4"
8' x 36" HZ	88"	32 3/8"	4"
8' x 42" HZ	88"	38 3/8"	4"
8' x 42" ST	108 3/16"	36 3/16"	4"



- A. Trex Signature Mesh top rail
  - 6' (actual length 73.5" [186.7 cm])
  - 8' (actual length 97.3" [247.7 cm])
- B. Trex Signature Mesh bottom rail
  - 6' (actual length 71.5" [181.6 cm])
  - 8' (actual length 95.5" [242.6cm])
- C. Trex Signature upper rail bracket and cover
- D. Trex Signature lower rail tabless bracket and cover
- E. Mesh Panel - see chart above for dimensions
- F. Horizontal PVC Gasket
- G. Horizontal PVC Gasket
- H. Vertical PVC Gaskets
- I. Vertical Supports
- J. L-Brackets
- K. Snap-in Channel Filler
- L. Trex Signature foot block (REQUIRED FOR ALL SPANS - MESH INSTALLATIONS)
- M. Trex Signature post skirt or post sleeve skirt\*

- N. Trex Signature post\*
  - 36" (actual length 37" [94.0 cm])
  - 42" (actual length 43" [109.2 cm])
 or Trex 4" x 4" post sleeve\*\*
  - 36" (actual length 39" [99.1 cm])
  - 42" (actual length 45" [114.3 cm])
- O. Trex Signature post cap or post sleeve cap\*
- P. Trex decking
- Q. Trex Fascia
- R. Code-approved wood joist 2" x 8"(5.1 cm x 20.3 cm) or larger
- S. Code-approved wood rim joist 2" x 8" (5.1 cm x 20.3 cm) or larger

\* Item not included in Trex Signature Railing kits.  
 \*\* Both 4" x 4" (10.2cm x 10.2cm) and 6" x 6" (15.2cm x 15.2 cm) post sleeves are designed to fit over a 4" x 4" pressure treated post.  
**NOTE:** If installing 42" (106.7 cm) railing, and using pressure-treated posts with Trex post sleeves, ensure that a longer pressure-treated post is used along with longer post sleeve, both cut to a height of 46" (116.8 cm) from decking surface.

Have Questions?  
**1-800-BUY-TREX**

NOTE: Construction methods are always improving. Please ensure you have the most up-to-date installation instructions by visiting: [trex.com](http://trex.com)

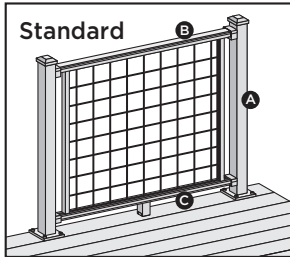
TR-SIGNATUREMP-0422

# TREX SIGNATURE® HORIZONTAL MESH RAILING

## Installation Instructions

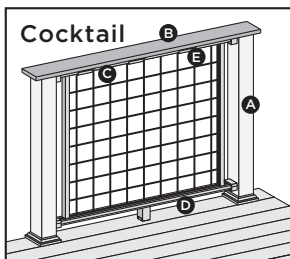
### RAILING CONFIGURATIONS

Note: See specific installation instructions for attachment of Trex post mounts or Trex Joist Mount Posts prior to installing any railing.



Cutting posts/post sleeves is **NOT** required.

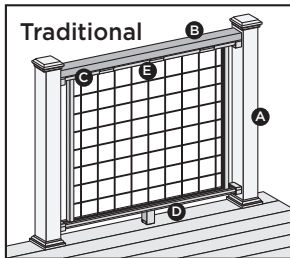
- A. Trex Signature post, pressure-treated post/Trex 4x4 or 6x6 post sleeve, Trex post mount/Trex 4x 4 post sleeve, or Composite Joist Mount Post/Trex 4x4 post sleeve (Inside mount)
  - B. Trex Signature top rail
  - C. Trex Signature bottom rail
- See page 3 for "How to Install Standard Mesh Railing".



Post sleeves will need to be cut.

- A. Pressure-treated post with Trex post sleeve  
**NOTE:** » Only for use with 4" x 4" (102 mm x 102 mm) post sleeve.  
» Trex Signature Posts, Trex Post Mounts or Joist Mount Posts cannot be used with Trex Signature Cocktail design.
  - B. Deck board top rail. **NOTE:** Enhance cannot be used.
  - C. Trex Signature top rail
  - D. Trex Signature bottom rail
  - E. Trex Signature Cocktail Rail Bracket\*\*
- See page 10 for "How to Install Mesh Cocktail Railing".

**POST SLEEVES WILL NEED TO BE CUT**



Cutting posts/post sleeves is Not required.

- A. Pressure-Treated post/Trex 4x4 or 6x6 post sleeve, Trex post mount/Trex 4x4 post asleeve, or Composite Joist Mount Post/Trex 4 x 4 post sleeve (Inside mount).  
**NOTE:** » Trex Signature Posts or Trex Signature Joist Mount Posts cannot be used.
  - B. 2 x 4 lateral top rail
  - C. Trex Signature top rail
  - D. Trex Signature bottom rail
  - E. Trex Signature Cocktail Rail Bracket\*\*
- See page 12 for "How to Install Mesh Traditional Railing".

» **NOTES:** For Signature post or pressure-treated post with post sleeve installations refer To Signature Post Installation Instructions.

\*\* Trex Signature Cocktail Rail brackets (sold separately) are for use with either Trex Mesh Rail Traditional or Trex Mesh Rail Cocktail designs. For a 6' section, use 4 brackets and screws provided, for 8' section, use 5 brackets and screws provided.

# HOW TO INSTALL MESH RAILING

## Installing Posts

REFER TO DETAILED INSTRUCTIONS ON HOW TO INSTALL TREX SIGNATURE POSTS OR PRESSURE TREATED POSTS.

### NOTES:

- » FOR EASE OF INSTALLATION, IT IS RECOMMENDED TO USE THE TREX SIGNATURE RAIL TEMPLATES TO ATTACH BRACKETS (SOLD SEPARATELY).
- » TREX SIGNATURE POSTS (BLACK ONLY) CAN ALSO BE PURCHASED SEPARATELY WHICH HAVE BRACKETS PREINSTALLED, THUS SKIPPING STEPS 1-4 BELOW.

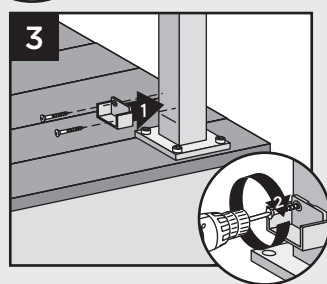
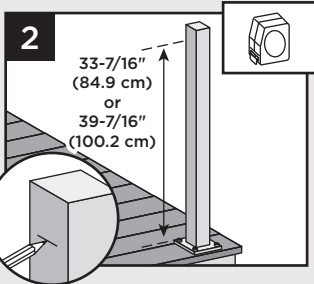
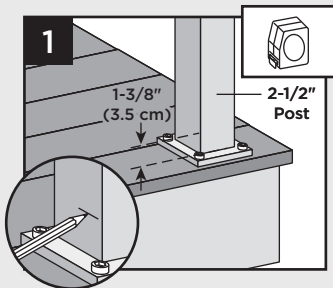
SKU NUMBER	DESCRIPTION
BKAL252537RCAPCNR	Signature Post 37" Corner Post
BKAL252537RCAPLINE	Signature Post 37" Inline Post
BKAL252543RCAPEND	Signature Post 43" End Post

SKU NUMBER	DESCRIPTION
BKAL252537RCAPEND	Signature Post 37" End Post
BKAL252543RCAPCNR	Signature Post 43" Corner Post
BKAL252543RCAPLINE	Signature Post 43" Inline Post

### Attach Brackets Using Trex Signature Posts

**TIP:** Use a clamp to help hold brackets in place while fastening with screws.

1. Measure 1-3/8" (3.5 cm) from top of post base plate or 1-7/8" (4.8 cm) from decking surface. Mark with light line.



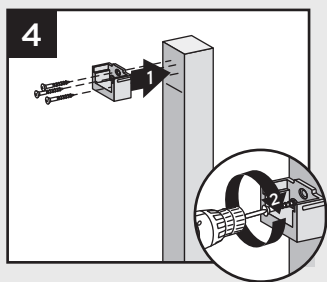
2. Measure up from post base plate 33-7/16" (84.9 cm) for 36" (92 cm) rail height or 39-7/16" (100.2 cm) for 42" (107 cm) rail height. Mark with light line.

**NOTE:** If measuring from decking surface, measure up 33-15/16" (86.2 cm) for 36" (92 cm) rail height or 39-15/16" (101.4 cm) for 42" (107 cm) rail height.

3. Center lower bracket on post **above** the marked line and attach using two self-tapping screws (provided).

4. Center upper bracket on post **above** marked line and attach using (3) self-tapping screws (provided).

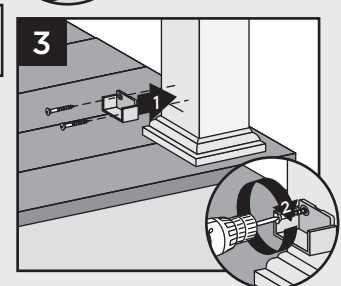
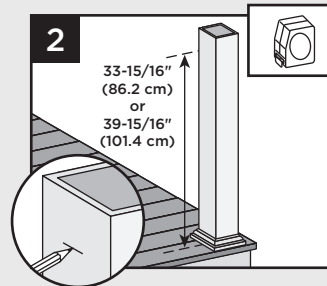
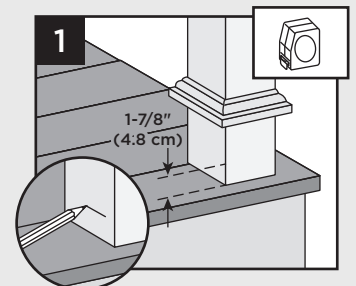
**NOTE:** Upper bracket is not required on crossover post configuration.



### Attach Brackets Using Pressure-Treated Posts and Post Sleeves

**TIP:** Use a clamp to help hold brackets in place while fastening with screws.

1. Measure 1-7/8" (4.8 cm) up from deck surface to bottom of bracket. Slide skirt up to allow for proper measurement. Mark with light line.

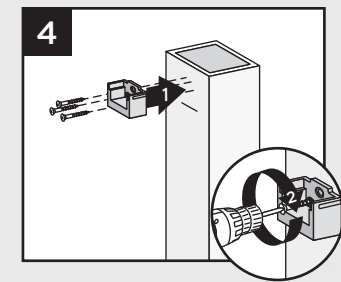


2. Measure up from decking surface 33-15/16" (86.2 cm) for 36" (92 cm) rail height or 39-15/16" (101.4 cm) for 42" (107 cm) rail height. Mark with light line.

**NOTE:** Push skirt back down onto surface of decking **BEFORE ATTACHING BRACKETS.**

3. Center lower bracket on post **above** the marked line and attach using two 2" (51 mm) wood screws (provided).

4. Center upper bracket on post **above** marked line and attach using three 2" (51 cm) wood screws (provided).



# TREX SIGNATURE® HORIZONTAL MESH RAILING

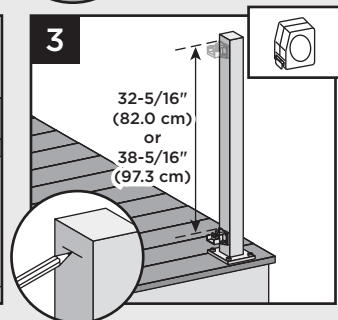
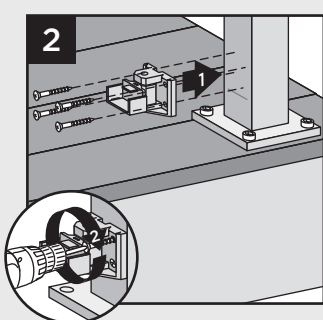
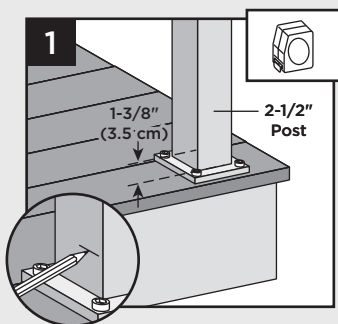
## Installation Instructions

### HOW TO INSTALL HORIZONTAL MESH RAILING/CONTINUED

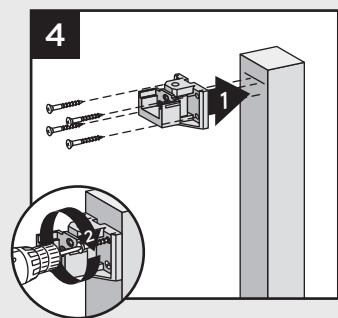
#### Attach Swivel Brackets Using Trex Signature Posts

**TIP:** Use a clamp to help hold brackets in place while fastening with screws.

1. Measure 1-3/8" (3.5 cm) from top of post base plate or 1-7/8" (4.8 cm) from decking surface. Mark with light line.

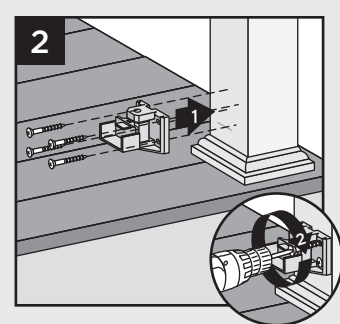
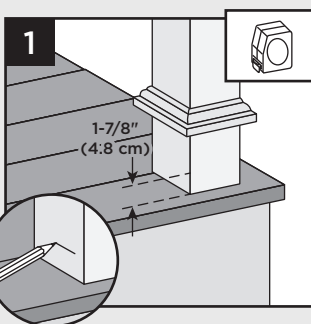


2. Center lower bracket on post **above** the marked line and attach using four self-tapping screws (*provided*).
3. Measure up 32-5/16" (82.0 cm) for 36" (91.4 cm) tall railing or 38-5/16" (97.3 cm) for 42" (106.7 cm) tall railing from top of lower rail bracket. Mark with a light line.
4. Center upper bracket on post **below** marked line and attach using four self-tapping screws (*provided*).

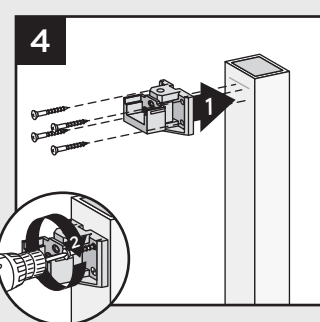
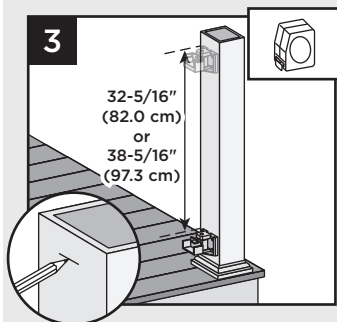


#### Attach Swivel Brackets Using Pressure-treated Posts and Post Sleeves

**TIP:** Use a clamp to help hold brackets in place while fastening with screws.



1. Measure 1-7/8" (4.8 cm) up from deck surface to bottom of bracket. Slide skirt up to allow for proper measurement, then push skirt back down onto surface of decking **BEFORE ATTACHING BRACKET**. Mark with light line.
2. Center lower bracket on post **above** the marked line and attach using four 2" (5.1 cm) wood screws (*provided*).

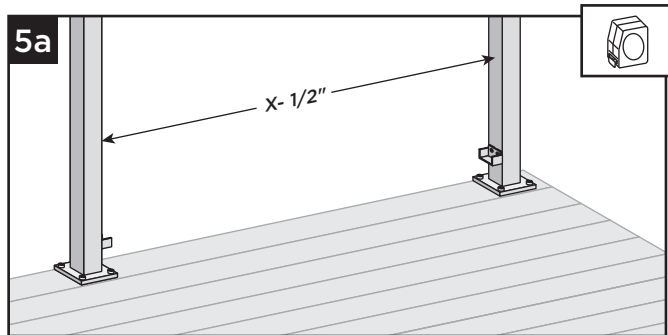


3. Measure up 32-5/16" (82.0 cm) for 36" (91.4 cm) tall railing or 38-5/16" (97.3 cm) for 42" (106.7 cm) tall railing from top of lower rail bracket. Mark with a light line.
4. Center upper bracket on post **below** marked line and attach using four 2" (5.1 cm) wood screws (*provided*).

## HOW TO INSTALL MESH RAILING/CONTINUED

### How to Measure and Cut Bottom and Top Rails

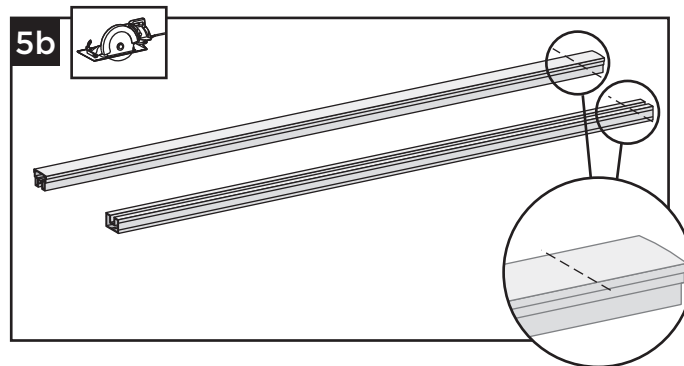
For Full Span Post to Post Applications - only top rail will need to be cut. For Full Span Crossover to Crossover post Applications - no rails have to be cut.



5a. Measure distance between posts (X), and subtract 1/2" for bracket clearance.

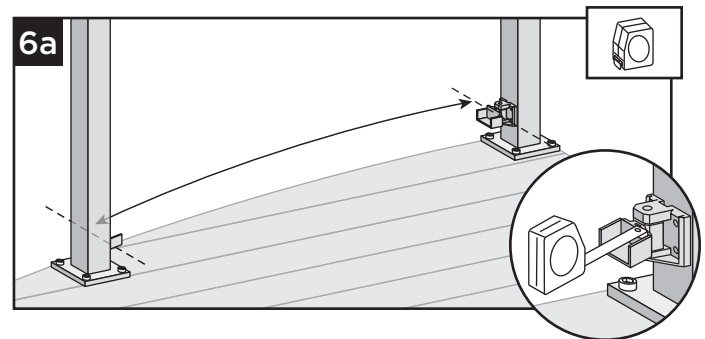
If installing crossover post configurations, adjust top rail length:  $X + 3/4"$  if using one crossover post, or  $X + 1 1/2"$  if using two crossover posts.

If using swivel brackets, measure distance between brackets and cut railings to this distance.



5b. Cut both bottom and top rail to length as determined above.

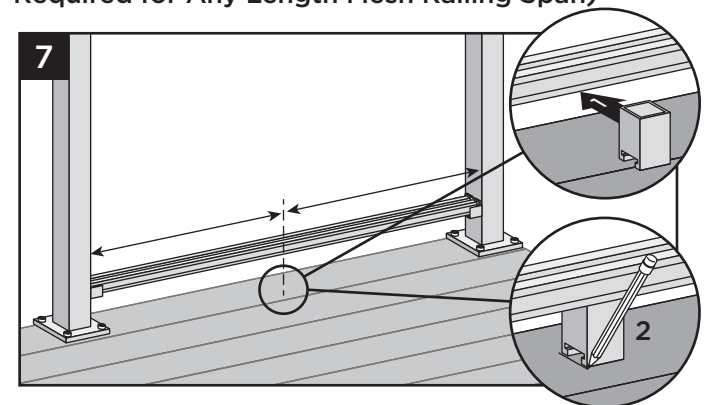
### How to Measure and Cut Bottom and Top CURVED Rails.



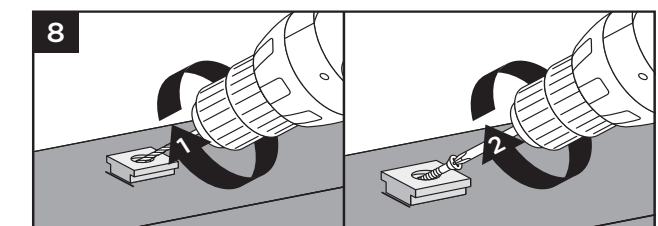
6a. With brackets in correct swivel location, measure distance from inside of bracket to inside of bracket. In addition, if tabbed bottom swivel brackets are installed the tab must be removed.

6b. Cut both curved bottom and top rails to length as determined above.

### Attachment of Foot Block (One Footblock is Required for Any Length Mesh Railing Span)



7. Temporarily place bottom rail into lower bracket. To ensure correct location, place foot block under center of bottom rail. Mark to provide placement location of base.



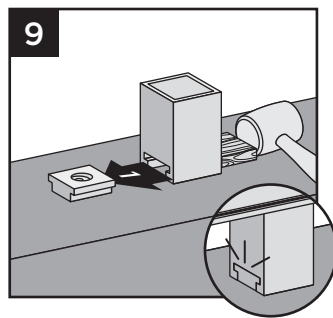
8. Remove bottom rail from lower brackets. Place base (smaller side facing down) on decking surface. Pre-drill using a 3/16" bit. Attach base of foot block using one screw at an angle through base and into decking.

# TREX SIGNATURE® HORIZONTAL MESH RAILING

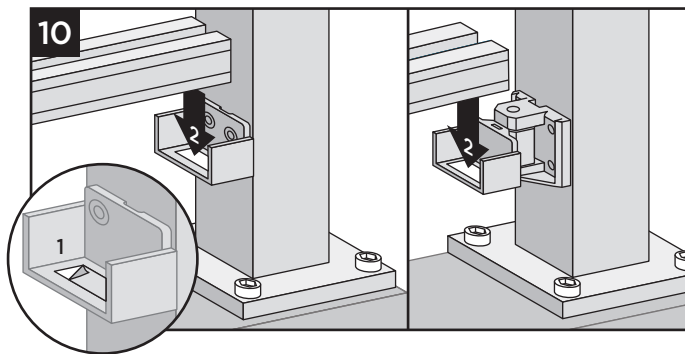
## Installation Instructions

### HOW TO INSTALL MESH RAILING/CONTINUED

9. After attached, use a rubber mallet along with scrap piece of wood to tap foot block until it locks into place.



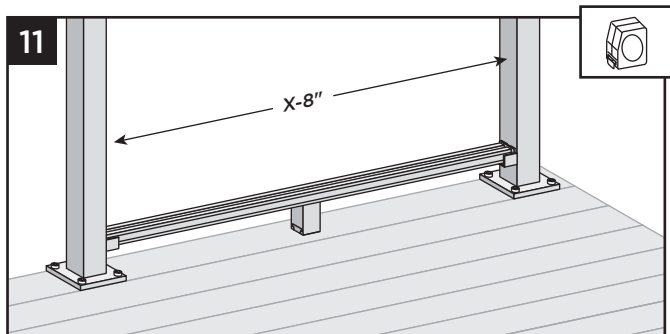
#### Installing Bottom Rail and Adding Weep Holes to Bottom Rail



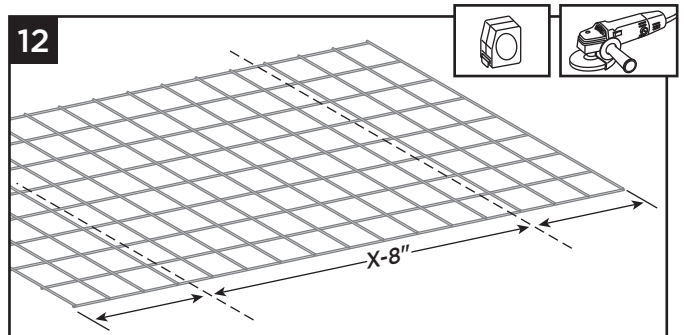
10. Place adhesive strips (provided) into bottom rail brackets, and then place bottom rail into brackets. Using a 3/8" drill bit, drill weep holes through center of bottom rail channel at 4 evenly spanned locations to allow for water drainage.

**NOTE:** Make sure surface is clean and dry.

#### Cutting Mesh (Required if installing rails at odd span lengths)



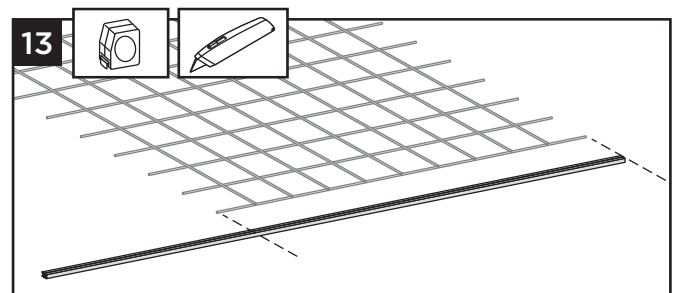
11. If not installing full span, mesh will require cutting from equal distance on each side. Measure distance between posts and subtract 8".



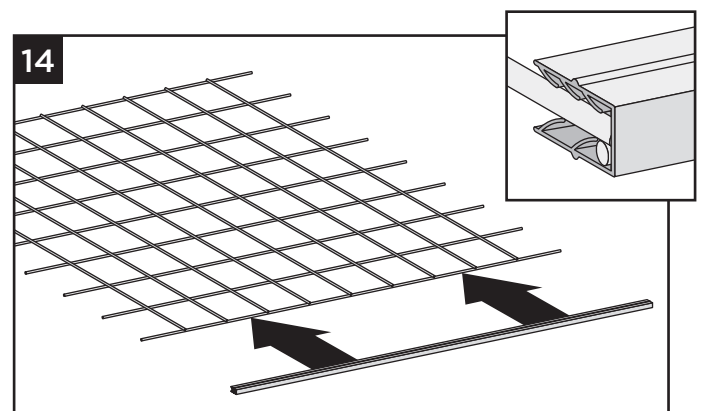
12. Cut mesh panel to this measurement, again cutting equal distances from each side so mesh is centered.

**NOTE:** An angle grinder (with proper blade) is recommended for cutting wire mesh. (ALWAYS USE PROPER SAFETY GEAR WHEN CUTTING WITH ANGLE GRINDER.) Note that heavy duty bolt cutters can also be used.

#### Cutting Bottom PVC Gasket & Installing onto Mesh



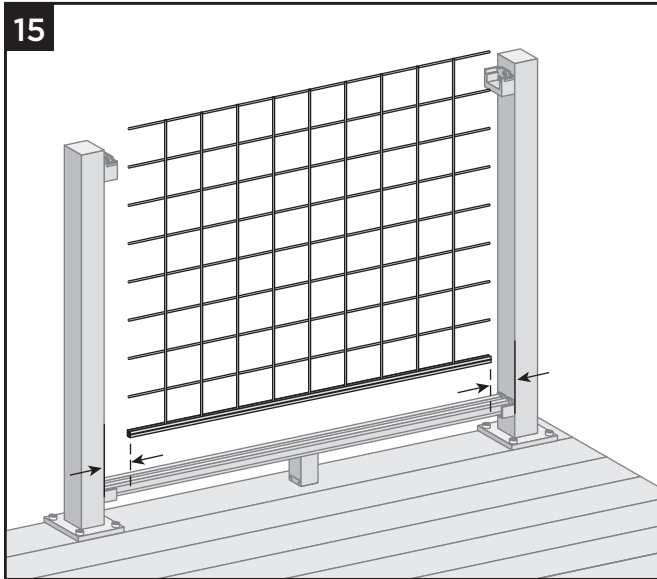
13. Cut bottom PVC gasket the same length as mesh



14. Install bottom PVC gasket onto bottom of mesh panel. Make sure gasket is fully seated onto mesh.

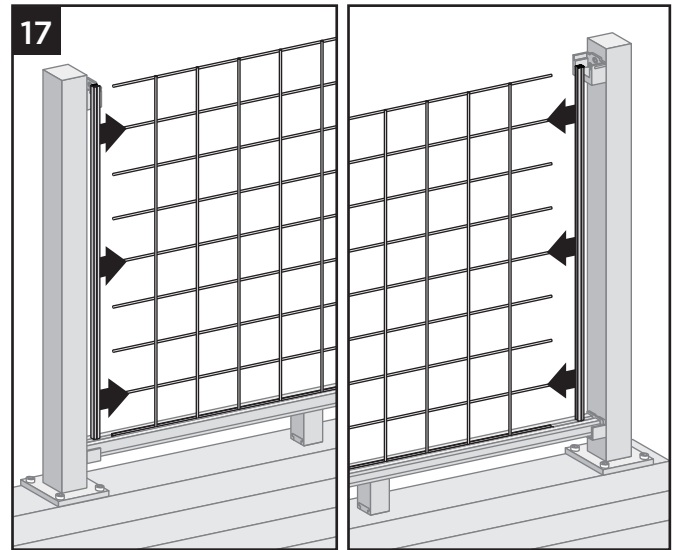
## HOW TO INSTALL MESH RAILING/CONTINUED

### Centering the Mesh and Installing into Bottom Rail

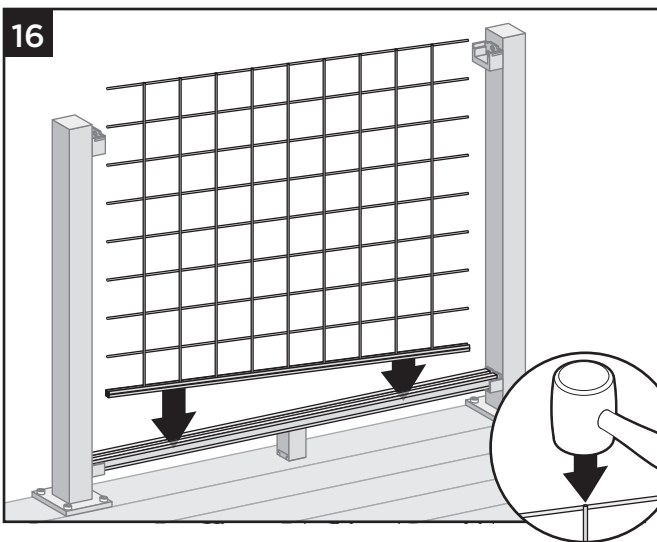


15. Center mesh (with bottom PVC gasket installed) so there is equal distance between sides of mesh and posts.

### Installing Vertical PVC Gaskets onto Mesh (No cutting required these come standard size.)



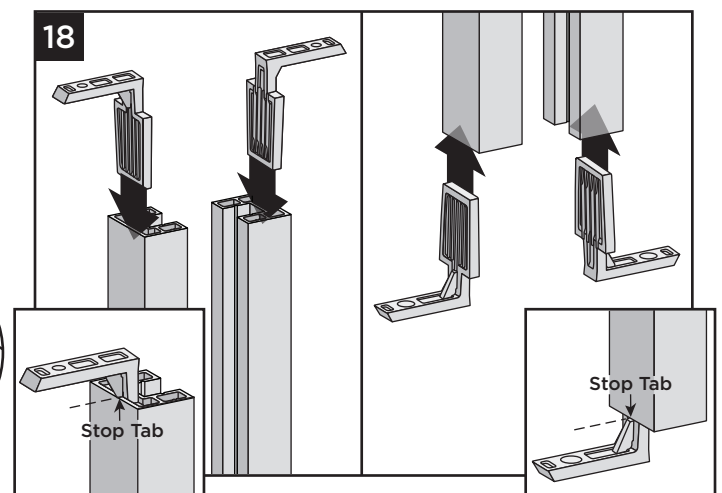
17. Install vertical PVC gaskets onto each side of mesh, ensuring that bottom of gaskets are resting on surface of bottom rail. Make sure that gaskets are fully seating onto the mesh.



16. Starting at one end, push mesh (with bottom PVC gasket installed) firmly into the bottom rail. GENTLE tapping with rubber mallet on mesh CROSS-SECTIONS will help prevent mesh from bending.

**NOTE:** Make sure mesh is being secured by hand until final assembly of the top rail.

### Installing L-Brackets into Vertical Supports



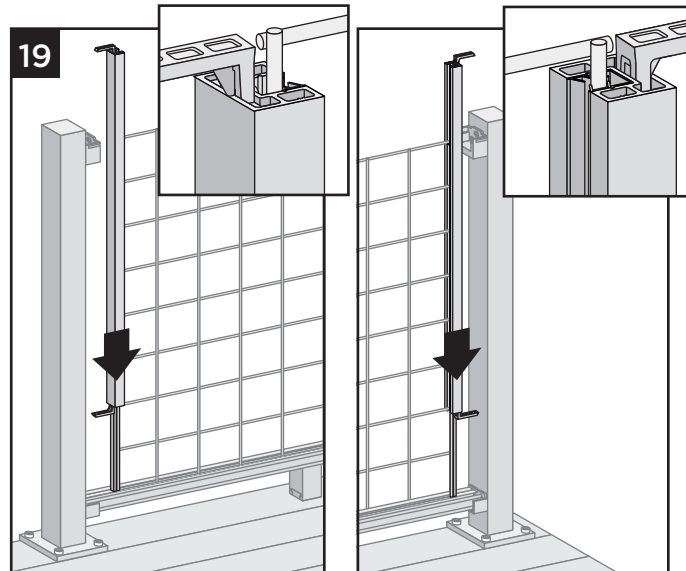
18. Install L-brackets into both top and bottom slots of vertical supports as shown. L-brackets will require light tapping until stop lip of bracket is resting on vertical support.

# TREX SIGNATURE® HORIZONTAL MESH RAILING

## Installation Instructions

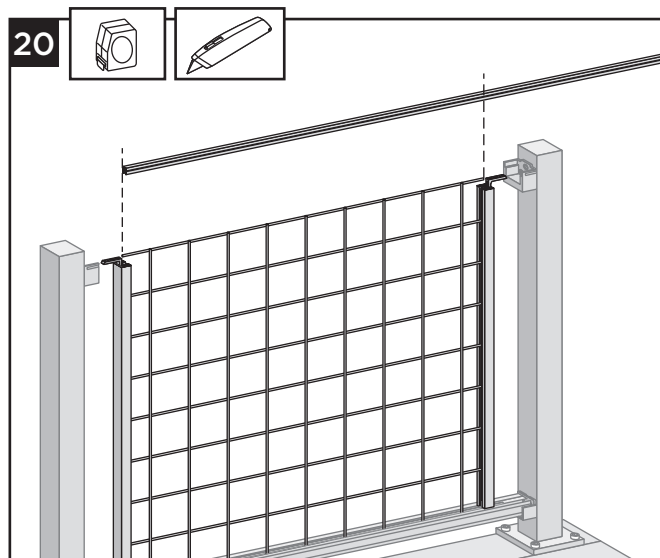
### HOW TO INSTALL MESH RAILING/CONTINUED

#### Installing Vertical Supports

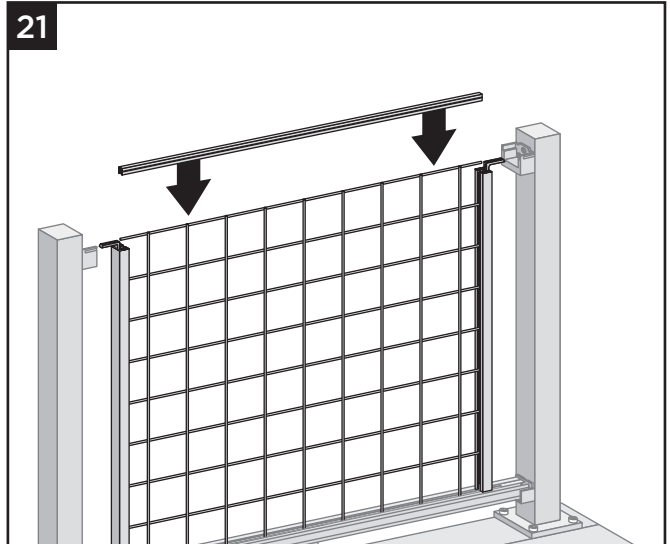


19. Install vertical supports onto vertical PVC gaskets, also ensuring that L-bracket is fully seated into bottom rail channel. Light tapping with rubber mallet may be required.

#### Cutting Top PVC Gasket & Installing onto Mesh

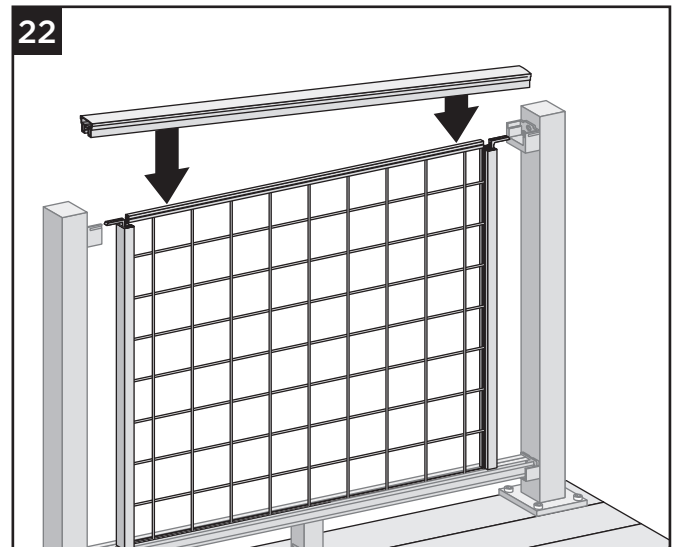


20. Using razor knife, cut top PVC gasket the same length as mesh panel.



21. Install cut gasket onto top of mesh panel. Make sure gasket is fully seated onto mesh.

#### Installing Top Rail onto Mesh Panel

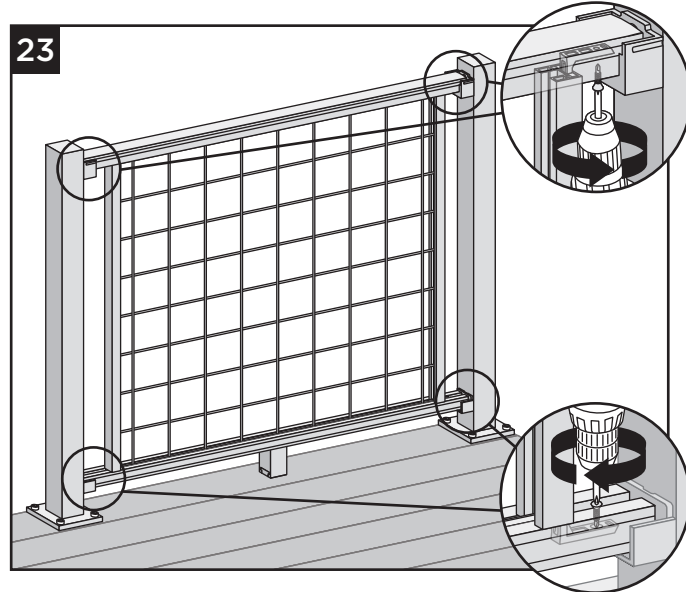


22. Starting at one end and working down, press the top rail firmly onto the top of the mesh panel (with top PVC gasket on mesh). Ensure the top rail is centered properly so top rail will seat into brackets when finished.



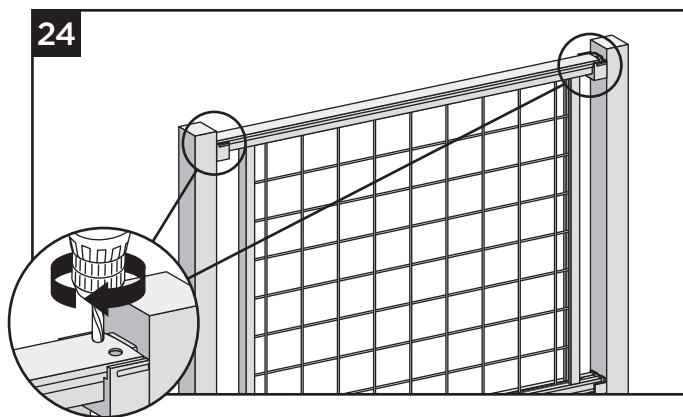
## HOW TO INSTALL MESH RAILING/CONTINUED

### Attaching L-Brackets to Top and Bottom Rails



23. Attach L-Brackets to both top and bottom rails using one #8 x 5/8 flat head screw (provided).

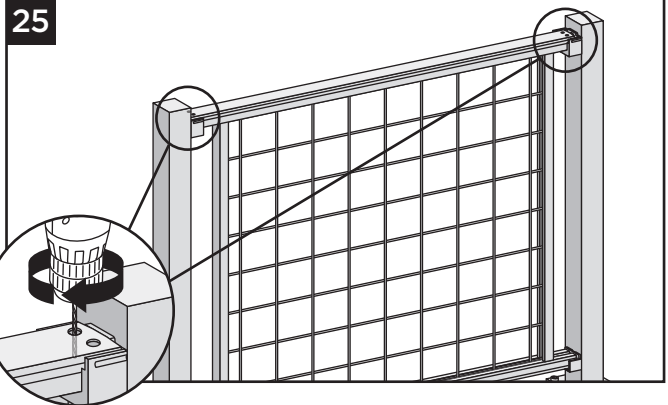
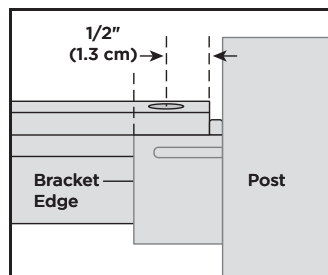
### Attaching Top Rail to Brackets



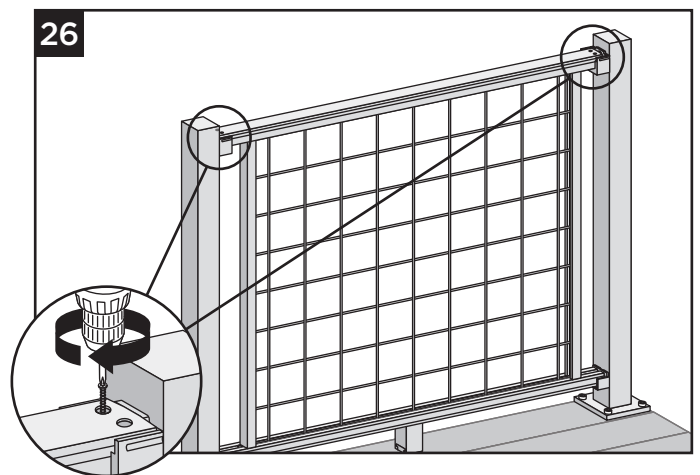
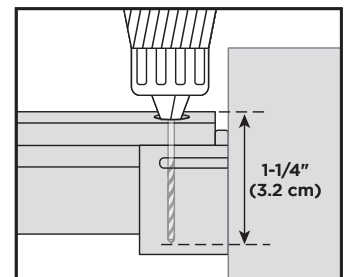
24. Drill two 1/2" holes approximately 1/2" from end of top rail. Repeat this on opposite side of top rail.

#### IMPORTANT NOTES:

- » HOLES CANNOT EXTEND PAST BRACKET, OTHERWISE BRACKET COVER WILL NOT COVER HOLES.
- » ONLY DRILL 1/2" HOLES THRU TOP WALL OF TOP RAIL. DO NOT USE A STEP BIT.



25. Using 9/64" bit provided, center into above holes and **PREDRILL** into top rail bracket at a depth of approximately 1-1/4". Use care to not drill through underside of top bracket.



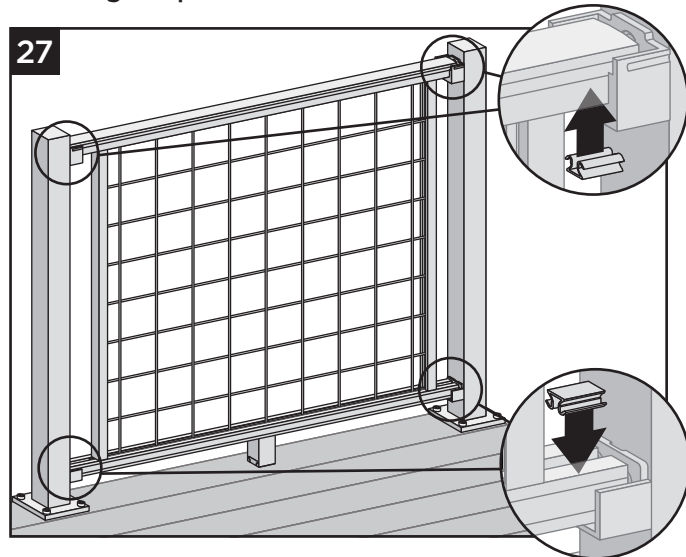
26. Install two #8 x 1-1/4" screws provided into top rail and top bracket on each end of top rail.

# TREX SIGNATURE® HORIZONTAL MESH RAILING

## Installation Instructions

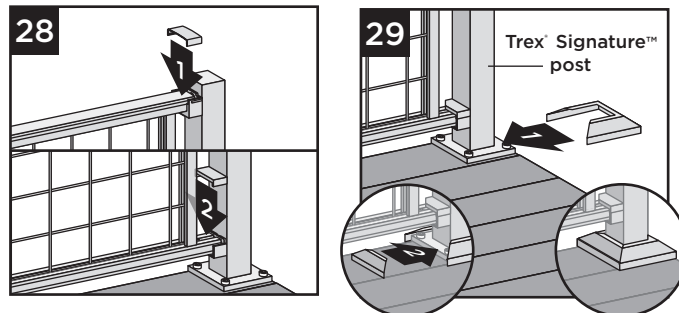
### HOW TO INSTALL MESH RAILING/*CONTINUED*

#### Installing Snap-in Channel Filler

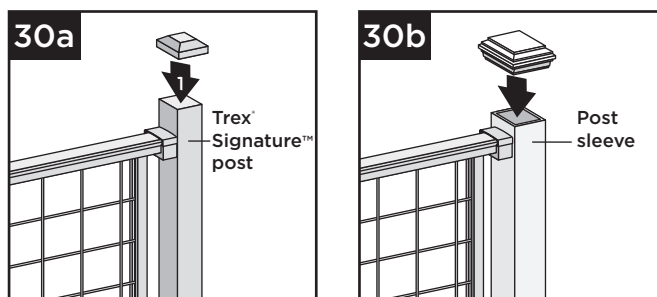


27. Cut snap-in channel filler to correct length and install into channels of bottom and top rails. Use of a rubber mallet may assist with this step. **DO NOT** attempt to cut short snap in pieces with a miter saw. Use an angle grinder or hack saw only.

#### Attachment of Bracket Covers, Skirts, and Caps

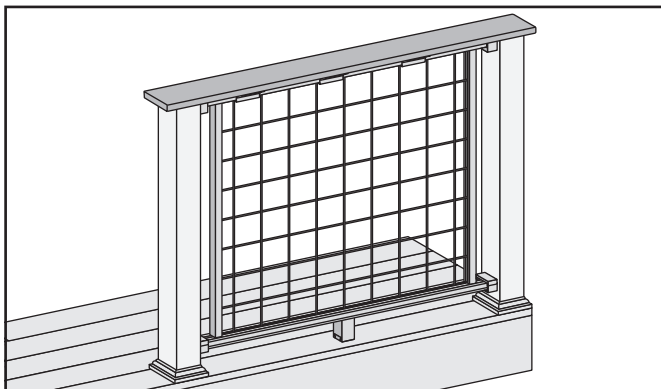


28. Attach corresponding bracket covers over opening in upper and bottom rails.  
29. Attach provided post skirt to bottom of posts when using Trex Signature posts.



- 30a. Attach post caps to Trex Signature posts.  
(Use of **rubber mallet** may be required for secure attachment.)  
30b. Attach post caps to post sleeves using external grade PVC construction adhesive (apply adhesive on the inside self-centering/corner tabs).

### HOW TO INSTALL MESH COCKTAIL RAILING TREX SIGNATURE®



#### **IMPORTANT NOTE:**

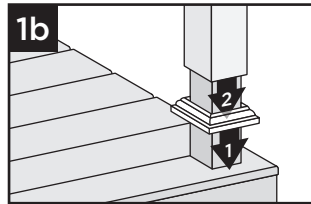
- » **ONLY** for use with pressure treated 4 x 4 post (3.5" nominal square) and 4" x 4" (102 mm x 102 mm) post sleeve. Trex Signature® posts, Trex post mounts or joist mount posts cannot be used with Trex Mesh Cocktail railing. Cutting post and post sleeve **ONLY** applies to the Cocktail style railing.

## HOW TO INSTALL MESH COCKTAIL RAILING/CONTINUED TREX SIGNATURE®

### Installing Pressure-treated Posts, Post Sleeves, and Skirts to Use with Mesh Cocktail Railing

1a. **PLEASE REFER TO LOCAL BUILDING CODE REQUIREMENTS PRIOR TO ATTACHING PRESSURE TREATED POSTS.**

1b. Slide post sleeve skirt over post and down to rest on decking surface. Slide post sleeve over post and position inside post sleeve skirt.

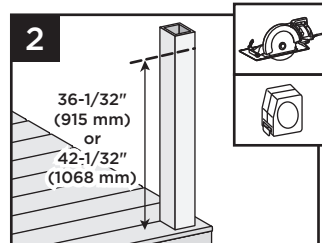


**NOTE:** Shims can be used to plumb post sleeves.

### Cutting Post and Post Sleeve

2. Mark and cut post and post sleeve measuring from deck surface:

- » 36-1/32" (915 mm) for 36" (914 mm) height.
- » 42-1/32" (1068 mm) for 42" (1067 mm) height.



3. **How to Measure Bottom and Top Rails**

See instructions on page 5.

4. **Cutting Rails**

See instructions on page 5.

5. **Attachment of Foot Block (REQUIRED)**

See instructions on page 5.

6. **Installing Bottom Rail and Adding Weep Holes to Bottom Rail**

See instructions on page 6.

7. **Cutting Mesh (if required)**

See instructions on page 6.

8. **Cutting Bottom PVC Gasket and Installing onto Mesh**

See instructions on page 6.

9. **Centering Mesh and Installing into Bottom Rail**

See instructions on page 7.

10. **Installing Vertical PVC Gaskets onto Mesh**

See instructions on page 7.

11. **Installing L-Brackets into Vertical Supports**

See instructions on page 7.

12. **Installing Vertical Supports**

See instructions on page 8.

13. **Cutting Top PVC Gasket and Installing onto Mesh**

See instructions on page 8.

14. **Installing Top Rail onto Mesh Panel**

See instructions on page 8.

15. **Attaching L-Brackets to Top and Bottom Rails**

See Instruction on page 9.

16. **Attaching Top Rail to Brackets**

See instructions on page 9.

17. **Installing Snap-in Channel Filler**

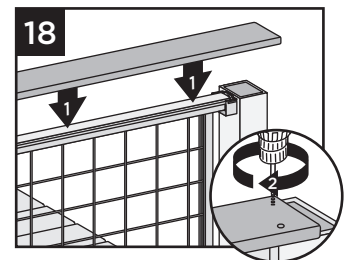
See instructions on page 10.

**NOTE:** Top Bracket Covers are not attached in this configuration.

### Attaching Deck Board to Top Rail

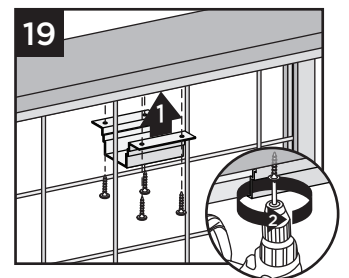
18. Place deck boards

(**DO NOT** use Enhance deck boards for top rail) over top rails. Attach boards on each post with Trex-recommended composite screws (quantity of 2 per each post/board end).



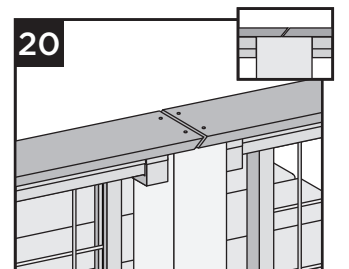
19. Secure boards to top

rail using Trex Signature Cocktail Bracket (sold separately). Ensure that there is a bracket at each end of the railing section, then space brackets approximately every 24" and attach with 4 screws provided.



**NOTE:** Pre-drilling before attachment is recommended.

20. Use scarf cut for posts where two deck boards meet.



### NOTES:

- » Leave 1/8" (3 mm) gap between deck boards.
- » Deck boards can overhang end of last post maximum 1/2" (13 mm).

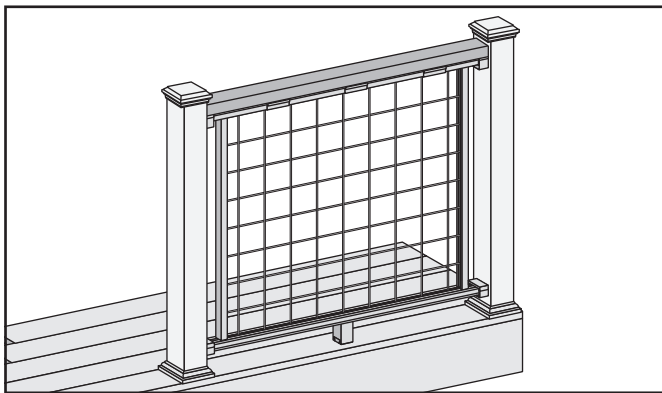
21. **Attachment of Bottom Bracket Covers**

See instructions on page 10.

# TREX SIGNATURE® HORIZONTAL MESH RAILING

## Installation Instructions

### HOW TO INSTALL MESH TRADITIONAL RAILING TREX SIGNATURE®



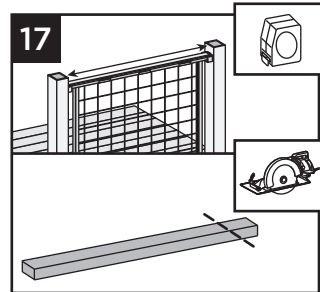
**Important:** Only use with Pressure-treated post, Trex Post Mounts or Trex Joist Mount Post WITH Trex post sleeves. Trex Signature Posts and Joist Mount Posts cannot be used with Mesh Traditional.

- 1. Installing Posts, Post Sleeves, and Skirts**  
See instructions on page 11 for pressure treated posts. Refer to detailed Trex Post Mount instructions if using these. Post and Post Sleeves are **NOT CUT** in this installation.
- 2. How to Measure Bottom and Top Rails**  
See instructions on page 5.
- 3. Cutting Rails**  
See instructions on page 5.
- 4. Attachment of Foot Block (REQUIRED)**  
See instructions on page 5.
- 5. Installing Bottom Rail and Adding Weep Holes to Bottom Rail**  
See instructions on page 6.
- 6. Cutting Mesh (if required)**  
See instructions on page 6.
- 7. Cutting Bottom PVC Gasket and Installing onto Mesh**  
See instructions on page 6.
- 8. Centering Mesh and Installing into Bottom Rail**  
See instructions on page 7.
- 9. Installing Vertical PVC Gaskets into Mesh**  
See instructions on page 7.
- 10. Installing L-Brackets into Vertical Supports**  
See instructions on page 7.
- 11. Installing Vertical Supports**  
See instructions on page 8.
- 12. Cutting Top PVC Gasket and Installing onto Mesh**  
See instructions on page 8.

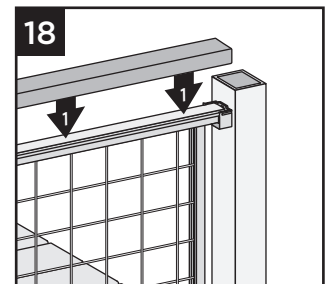
- 13. Installing Top Rail onto Mesh Panel**  
See instructions on page 8.
- 14. Attaching L-Brackets to Top and Bottom Rails**  
See instructions on page 9.
- 15. Attaching Top Rail to Brackets**  
See instructions on page 9.
- 16. Installing Snap-in Channel Filler**  
See instructions on page 10.

**NOTE:** Top Bracket Covers are not attached in this configuration.

#### Attaching 2 x 4 to Top Rail

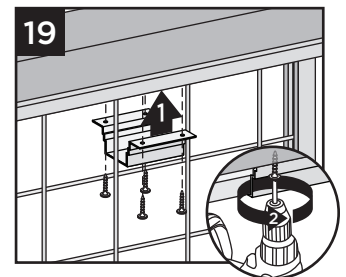


17. Measure between posts and cut 2 x 4 to length.



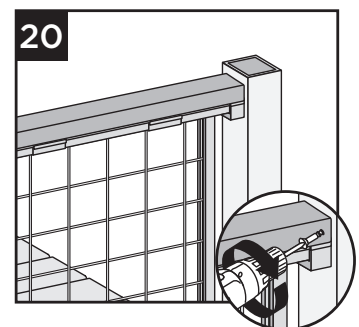
18. Place 2 x 4 on Trex Signature top rail.

- 19. Secure 2 x 4 to top rail using Trex Signature Cocktail Bracket (sold separately).** Ensure that there is a bracket at each end of the railing section, then space brackets approximately every 24" and attach with 4 screws provided.



**NOTE:** Pre-drilling before attachment is recommended.

- 20. Pre-drill and toenail 2-1/2" (6.4 cm) approved deck screw at each end of 2 x 4 into post on back side of rail (side not facing decking).**



- 21. Attachment of Bottom Bracket Covers and Caps**  
See instructions on page 10.