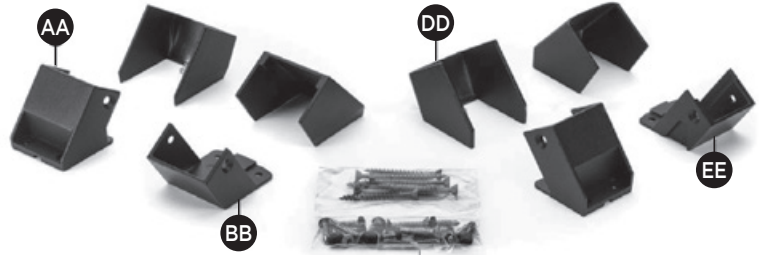


**BRACKET HARDWARE - STAIR APPLICATIONS  
(INCLUDING STAIR SWIVEL BRACKETS, STAIR CROSSOVER BRACKET,  
AND COMPOUND SWIVEL BRACKETS)  
TREX SIGNATURE**

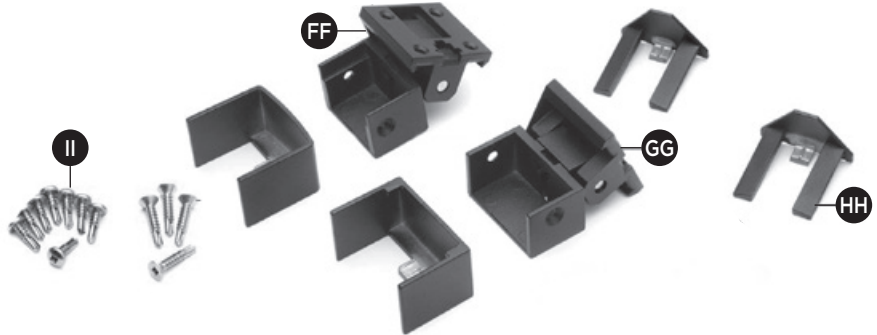
**FIXED BRACKET - STAIR HARDWARE**

- AA. Bottom Stair Bracket and Cover - Lower Rail
- BB. Top Stair Bracket and Cover - Lower Rail
- CC. Fastener Pack
- DD. Bottom Stair Bracket and Cover - Upper Rail
- EE. Top Stair Bracket and Cover - Upper Rail



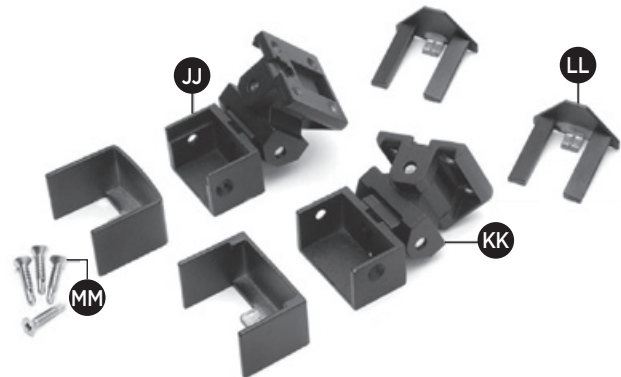
**SWIVEL BRACKET - STAIR HARDWARE**

- FF. Swivel Top Rail Bracket and Cover - Stair
- GG. Swivel Bottom Rail Bracket and Cover - Stair
- HH. Fastener Covers
- II. Fastener Pack



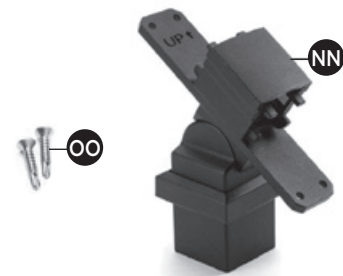
**COMPOUND SWIVEL BRACKET - STAIR HARDWARE**

- JJ. Compound Swivel Top Rail Bracket and Cover - Stair
- KK. Compound Swivel Bottom Rail Bracket and Cover - Stair
- LL. Fastener Covers
- MM. Fastener Pack



**SWIVEL CROSSOVER BRACKET KIT - STAIR HARDWARE**

- NN. Swivel Crossover Bracket - Stair
- OO. Post-to-Bracket Fasteners



# TREX® SIGNATURE® STAIR RAILING

## Installation Instructions

### HOW TO INSTALL STAIR POSTS AND STAIR RAILING TREX SIGNATURE

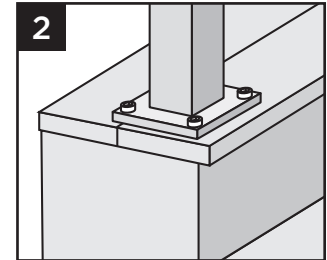
#### IMPORTANT NOTES:

- » FOR A 6' OR 8' STAIR RAIL, POST TO POST SPAN WILL BE LESS THAN 6' OR 8'. PRIOR TO INSTALLING STAIR POSTS CALCULATE POST TO POST SPAN USING A MAXIMUM STAIR RAIL LENGTH REQUIRED AND THE ANGLE (32°-37°) AT WHICH THE STAIR RAILS WILL BE INSTALLED. DO NOT INSTALL STAIR POSTS AT 6' OR 8' SPAN, AS STAIR RAILINGS WILL THEN BE TOO SHORT.
- » TREX SIGNATURE POSTS CANNOT BE USED WITH TREX SIGNATURE TRADITIONAL OR TREX SIGNATURE COCKTAIL STAIR DESIGNS, ONLY PRESSURE-TREATED POST/POST SLEEVES CAN BE USED. REFER TO DETAILED INSTRUCTIONS FOR MORE INFORMATION.
- » All Trex Signature stair installations require the use of 53" (134.6 CM) stair post, measured and cut to appropriate length if required.
- » If crossover stair post is required, use stair post (again cut to appropriate length if required) and use swivel crossover bracket.
- » Trex Signature Stair fixed brackets are designed to work only with stair slopes of 32°-37°.
- » For smaller (less than 32°) or larger angles (greater than 37°), use the Trex Signature Stair Swivel brackets.
- » Trex Signature Compound swivel stair brackets are designed for flared stair designs.
- » At all final end post configurations, top stair rail will need to be measured (making sure balusters line up vertically) and cut.
- » For odd span lengths, both bottom and top stair rails will need to be measured (making sure balusters line up vertically) and cut. Also, ensure that balusters are spaced with equal distance on each side of the post.
- » Rails that do not require cutting must be oriented in the correct direction to ensure balusters are spaced properly when installed in brackets. On both bottom and top stair railings, baluster hole closest to the end of each stair rail is to be installed at the top of the stair section. Ensure that both bottom and top rails are correct and balusters line up vertically before INSTALLING.
- » Foot Blocks for stairs are sold separately and recommended for use in Signature Cocktail and Signature Traditional applications.

#### Installing Standard Trex Signature Stair Posts, Trex Signature Stair Crossover Posts, or Pressure-treated Post, Post Sleeves and Skirts

1. Make sure 53" (135.6 cm) posts are used for all stair posts.

2. If Trex Signature stair posts are used, install at nose of stair tread directly under required blocking. See *Trex Signature horizontal post instructions*.



#### Installing Pressure-Treated Posts

- » PLEASE REFER TO LOCAL BUILDING CODE REQUIREMENTS PRIOR TO ATTACHING PRESSURE TREATED POSTS.
- » PRESSURE TREATED POSTS MUST BE INSTALLED ON INSIDE OF STAIR STRINGER AND AT NOSE OF STAIR TREAD.
- » POST TO POST SPAN WILL BE LESS THAN 6' OR 8'. PRIOR TO INSTALLING POSTS CALCULATE POST TO POST SPAN USING A MAXIMUM RAIL LENGTH REQUIRED AND THE ANGLE (32°-37°) AT WHICH THE RAILS WILL BE INSTALLED. DO NOT INSTALL STAIR POSTS AT 6' OR 8' SPAN, AS STAIR RAILINGS WILL THEN BE TOO SHORT.
- » In most cases, a post and post sleeve longer than 39" (991 mm) will be needed on the lower section of stair rail to accommodate stair angle.

# ATTACHING FIXED STAIR BRACKETS AND RAILS TO POSTS AND PRESSURE-TREATED POST AND POST SLEEVES

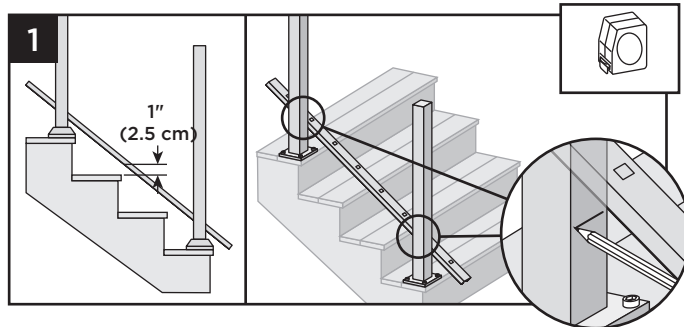
## TREX SIGNATURE

### NOTES:

- » All Trex Signature fixed stair brackets work **ONLY** with stair slopes of 32°-37°.
- » Illustrations shown are representations when using Trex Signature post, but same rules apply if using pressure-treated posts and post sleeves.
- » Use a clamp to help hold stair brackets in place while fastening with screws.

### IMPORTANT NOTE:

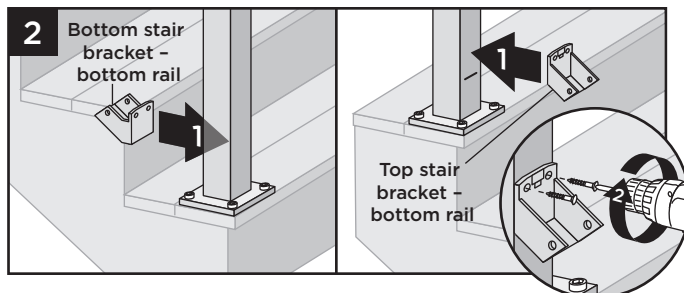
» **BEFORE ATTACHING ANY UPPER BRACKETS MAKE SURE PROPER RAILING HEIGHTS ARE ACHIEVED. RAILING HEIGHTS AND UPPER BRACKET HEIGHTS MAY NEED TO BE ADJUSTED, HOWEVER, DO NOT REDUCE HEIGHTS BASED ON YOUR RAILING CODE REQUIREMENTS. MEASURE CAREFULLY AS DIMENSION HEIGHTS MAY NEED TO BE ADJUSTED!**



1. Lay bottom stair rail on steps beside posts. **Position bottom rail at least 1" (2.5 cm) above nose of stair tread.**

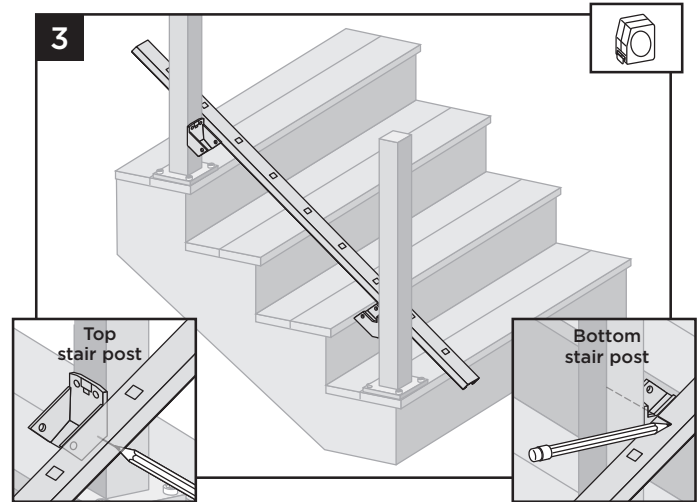
**Tip:** Use a 1" (2.5 cm) deck board as a spacer board and clamp rails to post. Mark where lower brackets are to be attached to both posts. Mark at underside of railing location.

### Installing Lower Fixed Stair Brackets

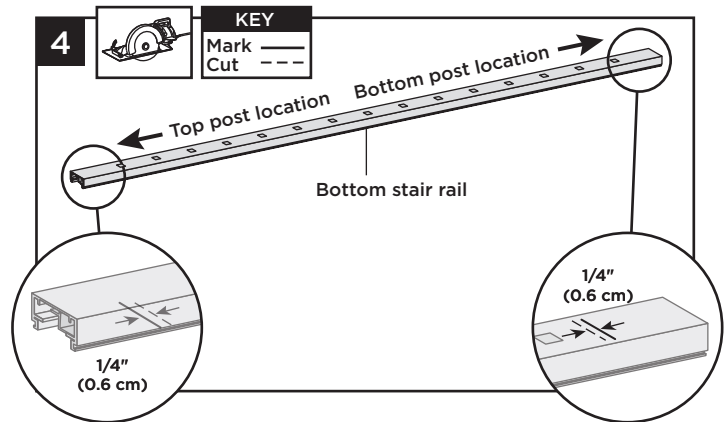


2. Center lower stair bracket on post above the marked line and attach using two self-tapping screws (provided). In some cases it may be difficult to attach the stair bracket on the lower stair post. **A 90° cordless drill is recommended to attach screws in this area.**

### How to Measure Bottom Stair Railing (WHEN REQUIRED)



3. Position bottom stair rail along the nose of the stair treads. Ensure that before cutting, balusters holes are centered in between the posts and also allow for clearance for attachment to brackets. On top stair post location, mark **UNDERSIDE** of lower rail. On bottom stair post location mark **TOPSIDE** of lower rail at angled intersection of the bracket.



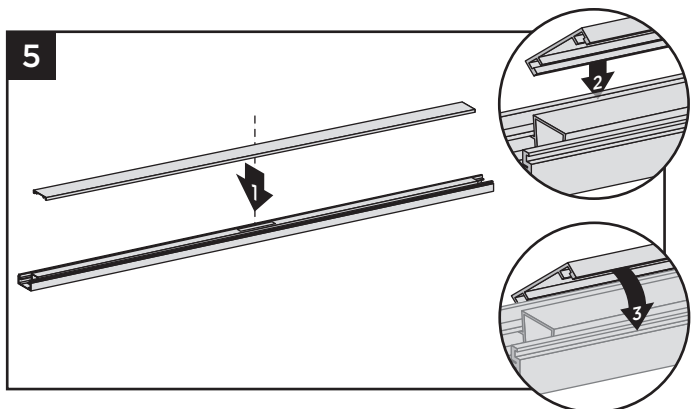
4. Cut each end of the bottom stair rail, rail insert, and bottom rail cover 1/4" (0.6 cm) shorter than the mark on each end to allow for fit into bottom stair rail brackets.

**NOTE:** Railing does not need to be cut at angle. Brackets are designed to allow for railing to be installed with standard straight cut.

# TREX® SIGNATURE® STAIR RAILING

## Installation Instructions

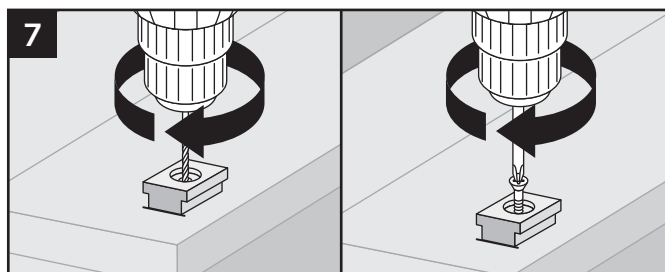
### ATTACHING FIXED STAIR BRACKETS AND RAILS TO POSTS AND PRESSURE-TREATED POST AND POST SLEEVES/CONTINUED TREX SIGNATURE



5. Attach “flat” bottom stair rail cover to bottom stair rail. Align cover on one side of the bottom rail in slot on side of rail. Then starting from one end of rail snap cover onto opposing slot working down the length of the rail. In some cases, **GENTLE** tapping with a **rubber mallet** may facilitate fastening.

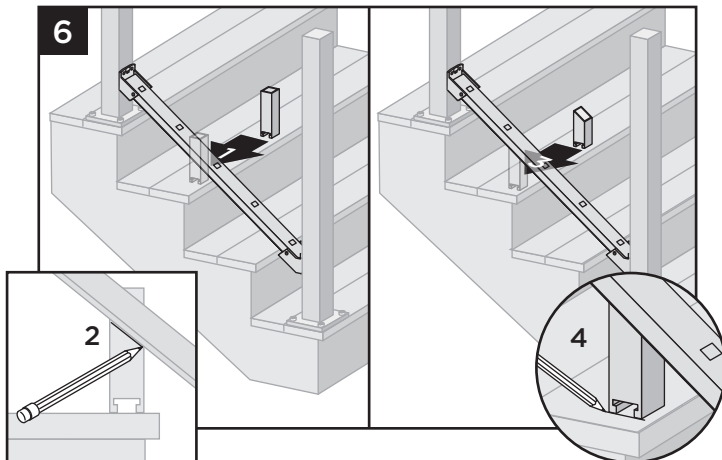
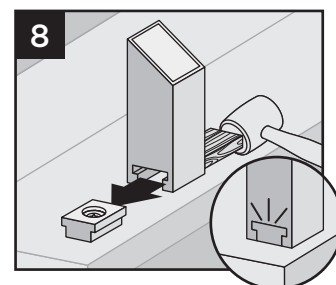
#### Attaching Foot Block (where recommended)

Recommended for all spans over 6' for Signature Cocktail and Signature Traditional applications).

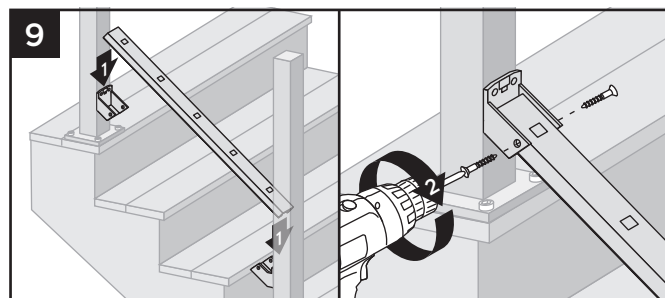


7. Place base (smaller side facing down) on decking surface. Pre-drill using a 3/16" bit. Attach base of foot block using one screw at an angle through base and into decking.

8. After attached, use a **rubber mallet** along with **scrap piece of wood** to tap foot block until it locks into place.



6. Temporarily set bottom rail in bottom brackets, and place foot block towards the nose of the stair tread along the side of the bottom rail. Mark location of angle on foot block and cut on mark. Then place foot block under the center of the bottom rail. Mark placement location of the base. Remove lower rail.

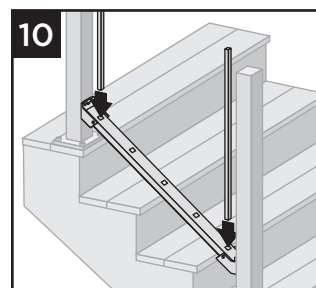


9. Set bottom stair rail into bottom stair rail brackets. Attach bottom stair rail to bottom stair bracket using two self-tapping screws (*provided*) on each side of bracket.

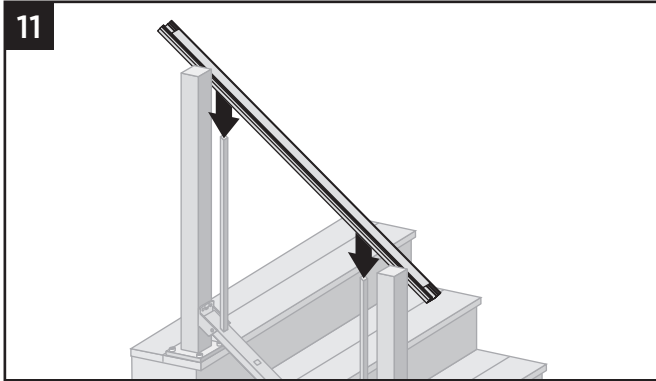
#### Installing Upper Fixed Stair Brackets and Measuring Upper Rail

**IMPORTANT NOTE:**  
**BEFORE CUTTING ANY TOP RAILS, MAKE SURE THAT ALL BALUSTER HOLES LINE UP PARALLEL WHEN MEASURING!**

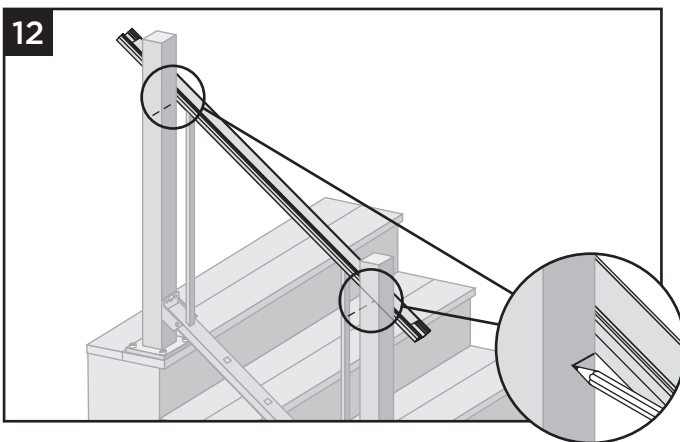
10. Place two balusters into lower rail at each end closest to post.



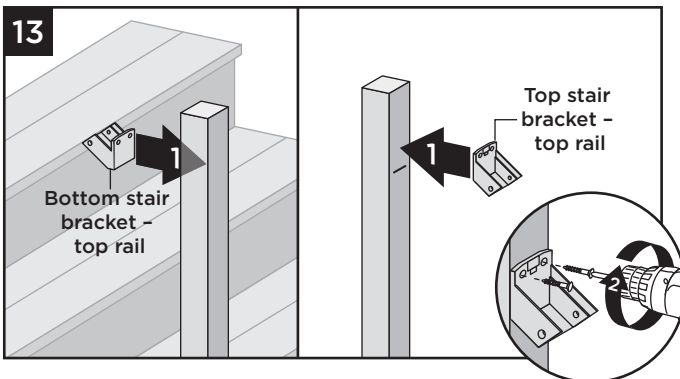
## ATTACHING FIXED STAIR BRACKETS AND RAILS TO POSTS AND PRESSURE-TREATED POST AND POST SLEEVES/CONTINUED TREX SIGNATURE



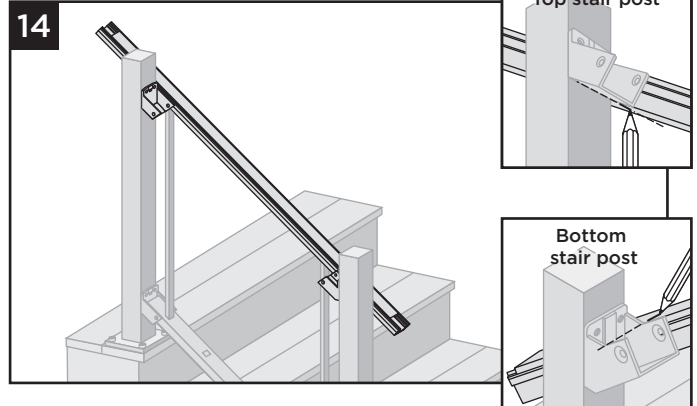
11. Position top stair rail onto balusters ensuring balusters are fully seated in top rail (position to side of post) and **ENSURE** that balusters are parallel with post.



12. Mark a light line on posts at **UNDERSIDE** of rail to show the location of the fixed stair brackets.

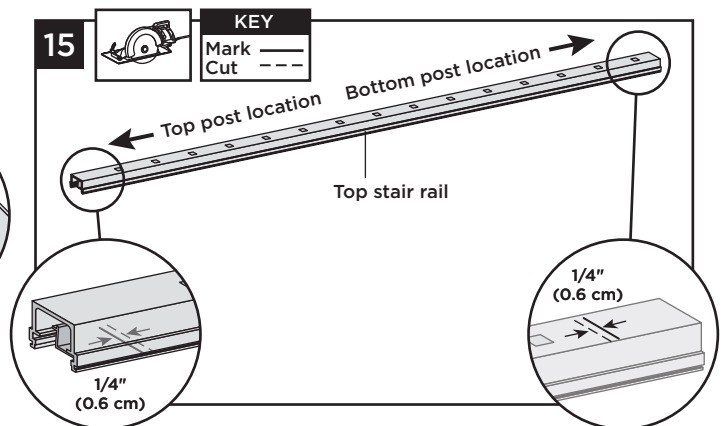


13. Remove upper stair rail and center upper stair fixed bracket on post **above** the marked line and attach using two self-tapping screws (*provided*).



14. On top stair post location, mark **UNDERSIDE** of upper rail. On bottom stair post location mark **TOPSIDE** of upper rail at angled intersection inside the bracket.

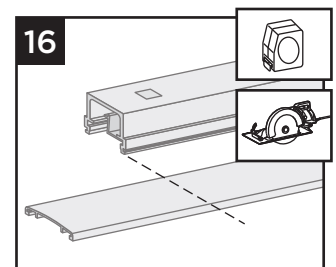
### Cutting Top Stair Rail Cover, and Attachment of Top Stair Rail Cover



15. Cut each end of top stair rail along with rail insert  $\frac{1}{4}$ " (0.6 cm) shorter than mark to allow for fit into top stair rail bracket.

**NOTE:** Railing does not need to be cut at angle. Brackets are designed to allow for railing to be installed with standard straight cut.

16. Mark and cut top rail cover same length as top rail for all top rail configurations.

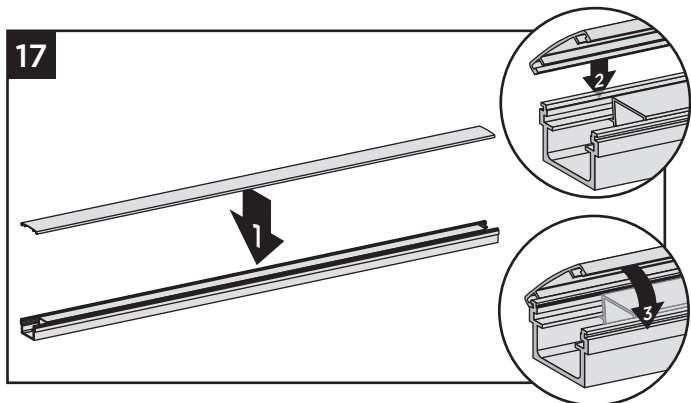




# TREX® SIGNATURE® STAIR RAILING

## Installation Instructions

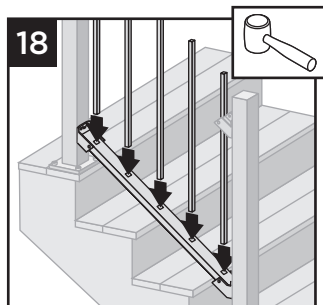
### ATTACHING FIXED STAIR BRACKETS AND RAILS TO POSTS AND PRESSURE-TREATED POST AND POST SLEEVES/CONTINUED TREX SIGNATURE



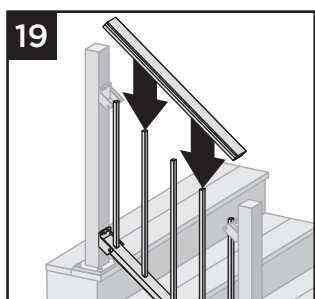
17. Attach “crowned” upper stair rail cover to upper stair rail by aligning cover on one side of rail. Then starting from one end of stair rail, snap cover onto opposing slot working down length of stair rail. **GENTLE** tapping with a **rubber mallet** may facilitate the fastening.

#### Installing Balusters into Bottom Stair Rail

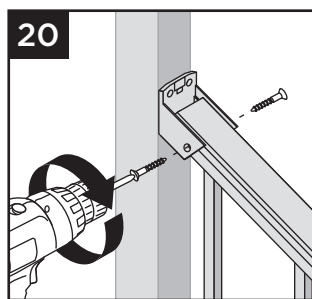
18. Place balusters into holes in lower stair rail by snapping fully into place. In some cases, **GENTLE** tapping with a **rubber mallet** may facilitate fastening.



#### Attaching Upper Stair Rails



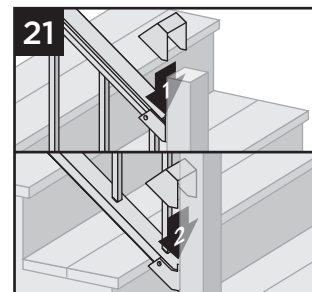
19. Working from one end of upper stair rail, snap balusters into upper stair rail working down length of rail.



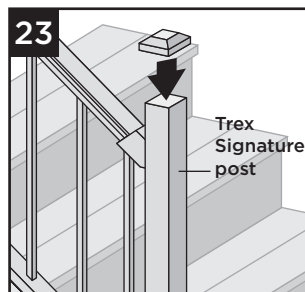
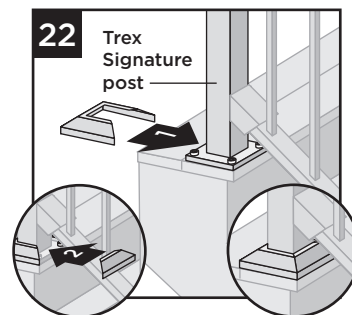
20. Attach top stair rail to top stair bracket (all types) using two self-tapping screws (*provided*) on each side of stair bracket.

#### Attachment of Stair Bracket Covers, Skirts, and Caps

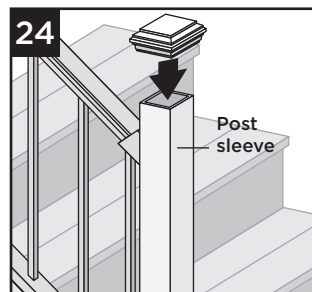
21. Attach corresponding bracket covers over opening in upper and bottom rails.



22. Attach provided post skirt to bottom of posts when using Trex Signature posts.



23. Attach post caps to Trex Signature posts (use of **rubber mallet** may be required for secure attachment).



24. Attach post caps to post sleeves using external grade PVC construction adhesive (apply adhesive on the inside self-centering/corner tabs).

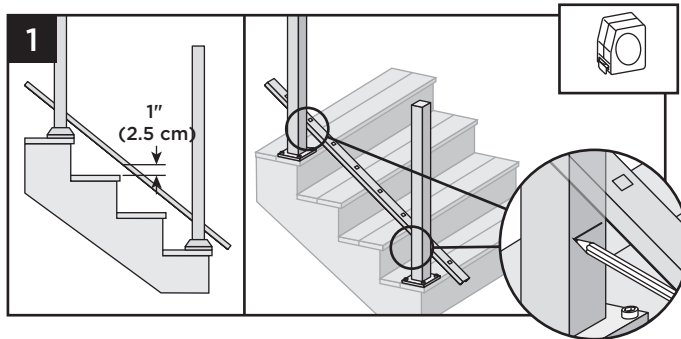
## ATTACHING STAIR SWIVEL/COMPOUND SWIVEL BRACKETS AND RAILS TO POSTS AND PRESSURE-TREATED POST AND POST SLEEVES TREX SIGNATURE

### NOTES:

- » Illustrations shown are representations when using Trex Signature posts, but same rules apply if using pressure-treated posts and post sleeves.
- » Use a clamp to help hold stair brackets in place while fastening with screws.

### IMPORTANT NOTE:

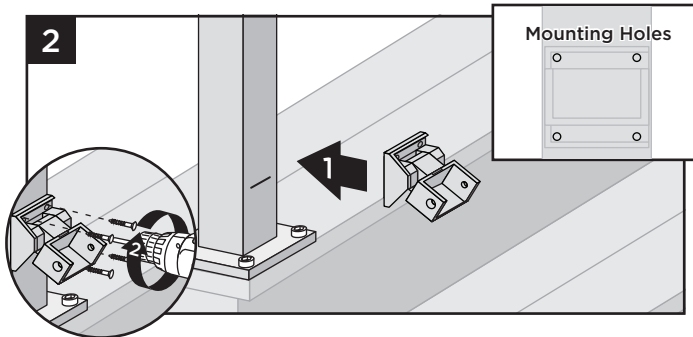
- » BEFORE ATTACHING ANY UPPER BRACKETS, MAKE SURE PROPER RAILING HEIGHTS ARE ACHIEVED. RAILING HEIGHTS AND UPPER BRACKET HEIGHTS MAY NEED TO BE ADJUSTED, HOWEVER, DO NOT REDUCE HEIGHTS BASED ON YOUR RAILING CODE REQUIREMENTS. MEASURE CAREFULLY AS DIMENSION HEIGHTS MAY NEED TO BE ADJUSTED!



1. Lay bottom stair rail on steps beside posts. Position bottom rail at least 1" (2.5 cm) above nose of stair tread.

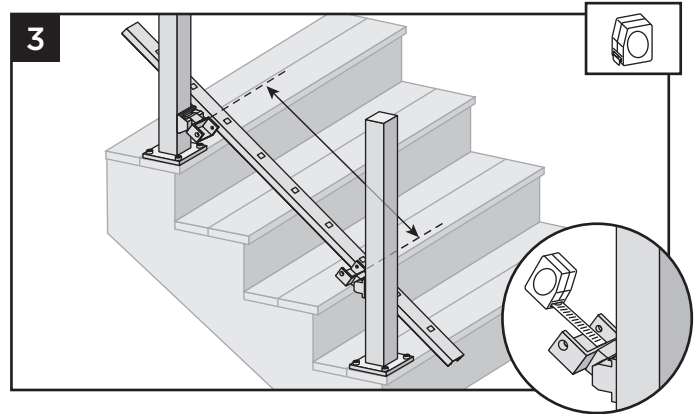
**Tip:** Use a 1" (2.5 cm) deck board as a spacer board and clamp rails to post. Mark where lower brackets are to be attached to both posts. Mark at underside of railing location.

### Installing Lower Stair Swivel and Compound Swivel Brackets



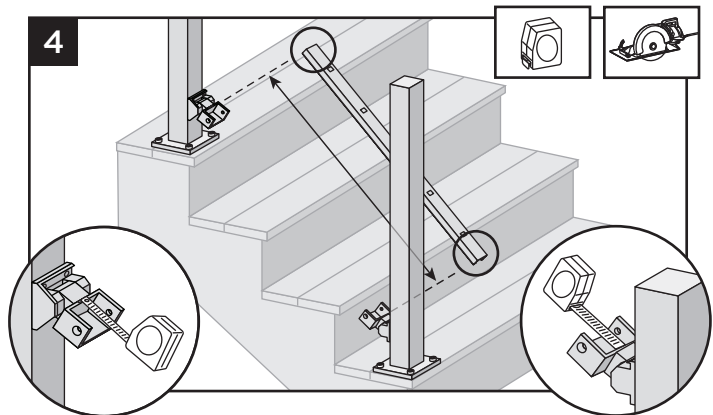
2. Center lower stair swivel bracket on post above the marked line and attach using four self-tapping screws (provided). In some cases it may be difficult to attach the stair bracket on the lower stair post. A 90° cordless drill is recommended to attach screws in this area.

### How to Measure Bottom Stair Railings (WHEN REQUIRED)



3. With brackets in correct swivel locations, measure distance from inside of swivel bracket to inside of swivel bracket. Ensure that before cutting, balusters holes are parallel and centered in between the posts and also allow for clearance for attachment to brackets. Mark bottom stair rail at each intersection.

### Cutting Bottom Stair Rail, Bottom Stair Rail Cover, and Attachment of Bottom Stair Rail Cover



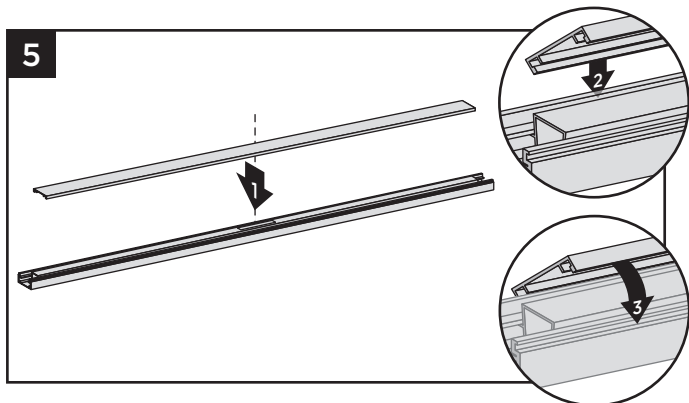
4. Cut each end of the bottom rail, rail insert, and bottom rail cover at the mark on each end to allow for fit into bottom stair rail brackets.

**NOTE:** Railing does not need to be cut at angle. Brackets are designed to allow for railing to be installed with standard straight cut.

# TREX® SIGNATURE® STAIR RAILING

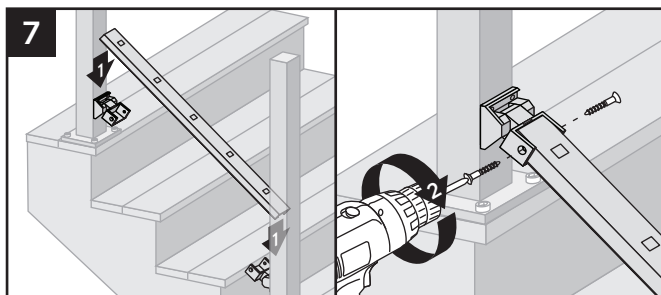
## Installation Instructions

### ATTACHING STAIR SWIVEL/COMPOUND SWIVEL BRACKETS AND RAILS TO POSTS AND PRESSURE-TREATED POST AND POST SLEEVES/*CONTINUED* TREX SIGNATURE



5. Attach “flat” bottom stair rail cover to bottom stair rail. Align cover on one side of the bottom rail in slot on side of rail. Then starting from one end of rail snap cover onto opposing slot working down the length of the rail. In some cases, **GENTLE** tapping with a **rubber mallet** may facilitate fastening.

6. **Attaching Foot Block (where recommended)**  
*See instructions on page 4.*

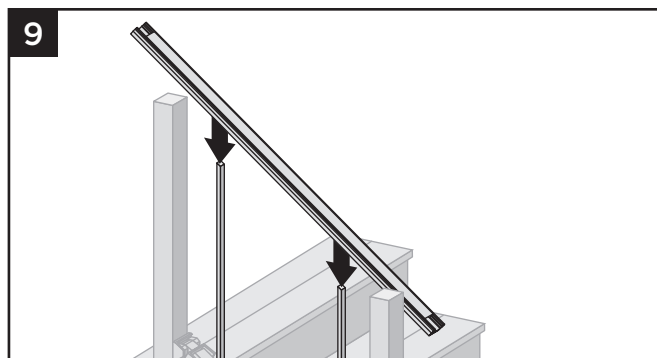
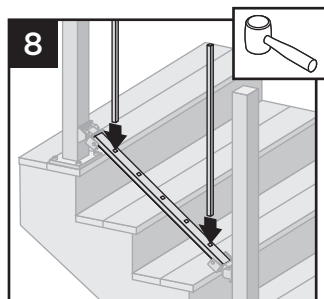


7. Set bottom stair rail into bottom stair rail brackets. Attach bottom stair rail to bottom stair bracket using two self-tapping screws (*provided*) on each side of bracket.

#### Installing Upper Brackets and Measuring Upper Stair Rail—Stair Swivel and Compound Swivel

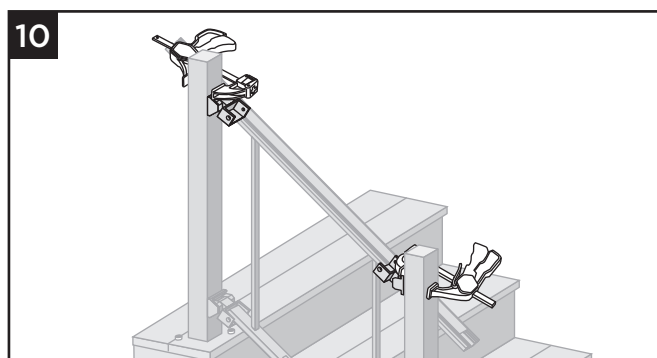
**IMPORTANT NOTE: BEFORE CUTTING ANY TOP RAILS MAKE SURE THAT WHEN MEASURING, ALL BALUSTER HOLES LINE UP PARALLEL!**

8. Place two balusters into lower rail at each end closest to post.

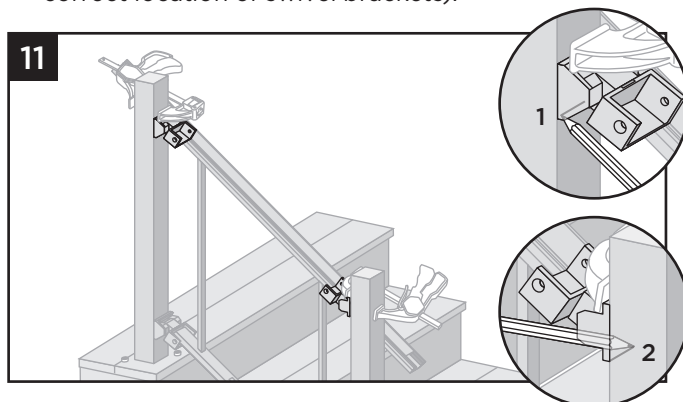


9. Position top stair rail onto balusters ensuring balusters are fully seated in top rail (position to side of post) and **ENSURE** that balusters are parallel with post.

#### Installing Upper Stair Swivel and Compound Swivel Brackets



10. Clamp brackets to side of rail with brackets in correct swivel location/angle (this is important to ensure correct location of swivel brackets).



11. Mark a light line on posts at **UNDERSIDE** of where swivel bases (positioned correctly) meets the posts.

8

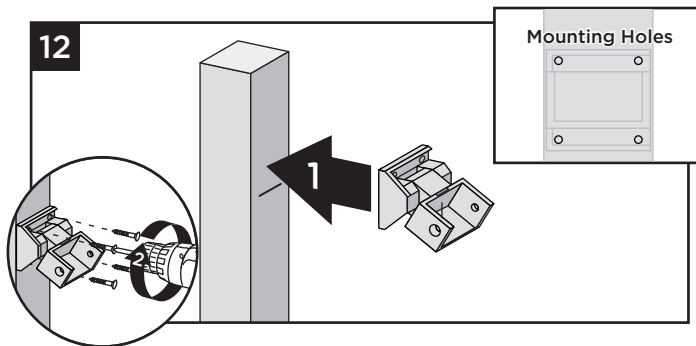
Have Questions?  
**1-800-BUY-TREX**

*NOTE: Construction methods are always improving. Please ensure you have the most up-to-date installation instructions by visiting: **trex.com***

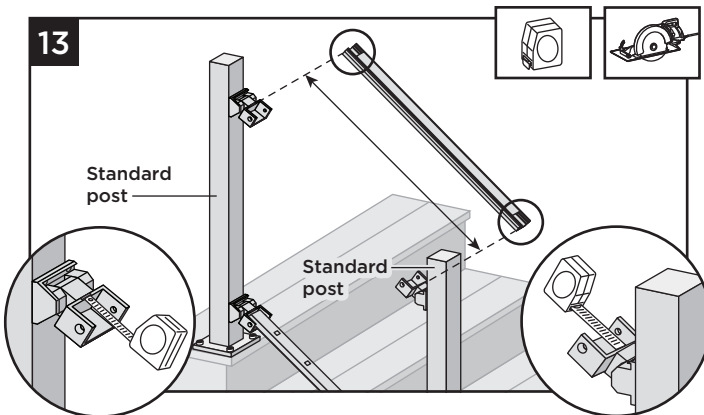
TR-SIGN-ST-0422



## ATTACHING STAIR SWIVEL/COMPOUND SWIVEL BRACKETS AND RAILS TO POSTS AND PRESSURE-TREATED POST AND POST SLEEVES/CONTINUED TREX SIGNATURE

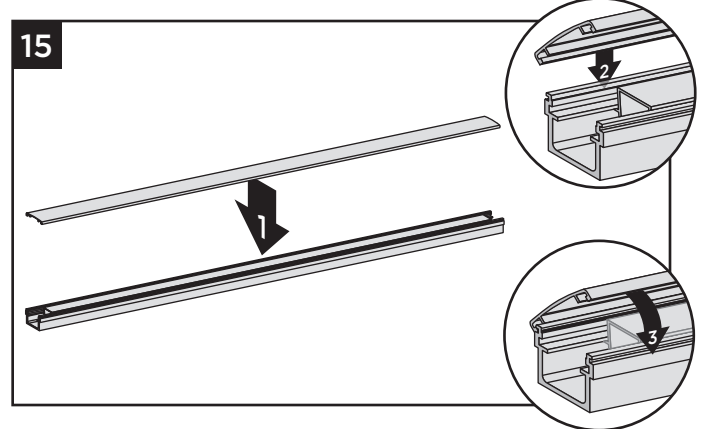
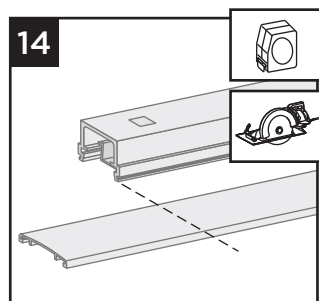


12. Remove upper stair rail from balusters and center upper stair swivel bracket on post **above** the marked line and attach using four self-tapping screws (*provided*).



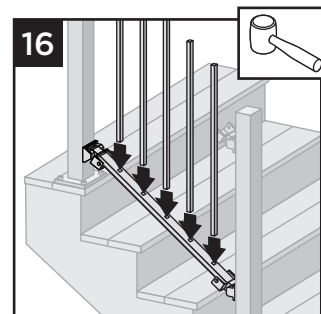
13. Cut top rail along with rail insert to the measurement between the top stair swivel brackets. For standard post to standard post configurations this would be same dimensions as that of the bottom stair rail.

14. Mark and cut top rail cover same length as top rail for all top rail configurations.

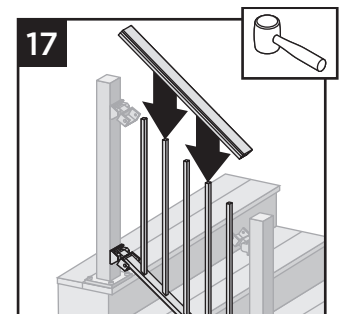


15. Attach "crowned" upper stair rail cover to upper stair rail by aligning cover on one side of rail. Then starting from one end of stair rail, snap cover onto opposing slot working down length of stair rail. **GENTLE** tapping with a **rubber mallet** may facilitate fastening.

### Installing Balusters into Bottom Stair Rail



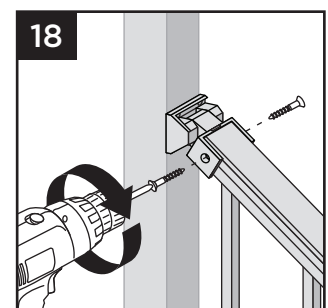
16. Place balusters into holes in lower stair rail by snapping fully into place. In some cases, **GENTLE** tapping with a **rubber mallet** may facilitate fastening.



### Attaching Upper Stair Rails

17. Working from one end of upper stair rail, snap balusters into upper stair rail working down length of rail.

18. Attach top stair rail to top stair bracket (all types) using two self-tapping screws (*provided*) on each side of stair bracket.

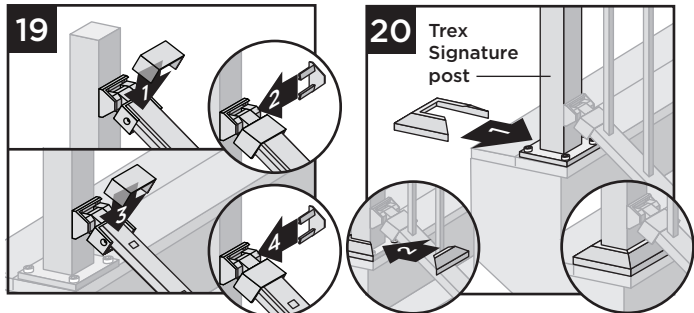


# TREX® SIGNATURE® STAIR RAILING

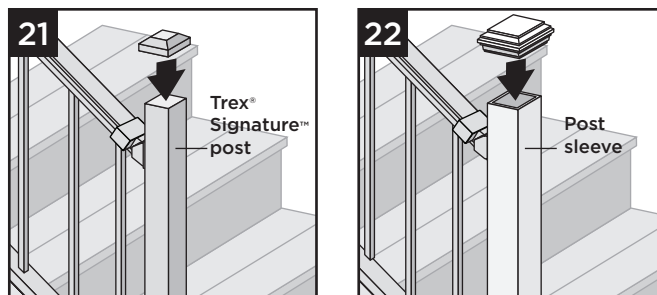
## Installation Instructions

### ATTACHING STAIR SWIVEL/COMPOUND SWIVEL BRACKETS AND RAILS TO POSTS AND PRESSURE-TREATED POST AND POST SLEEVES/CONTINUED TREX SIGNATURE

#### Attachment of Stair Bracket Covers, Skirts, and Caps



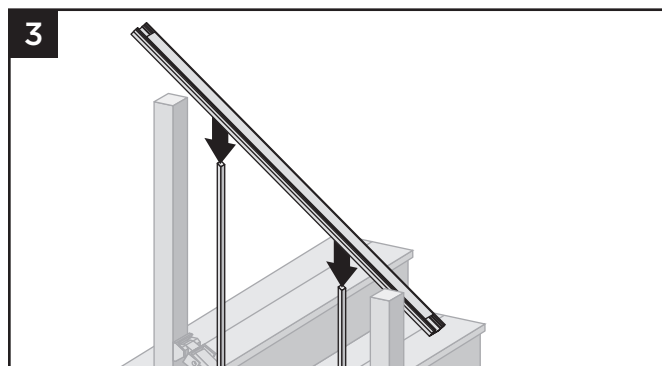
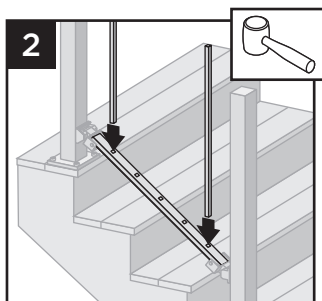
19. Attach corresponding bracket covers over opening in upper and bottom rails.
20. Attach provided post skirt to bottom of posts when using Trex Signature posts.



21. Attach post caps to Trex Signature posts (use of **rubber mallet** may be required for secure attachment).
22. Attach post caps to post sleeves using external grade PVC construction adhesive (apply adhesive on the inside self-centering/corner tabs).

### ATTACHING CROSSOVER SWIVEL BRACKETS ON SIGNATURE POSTS TREX SIGNATURE

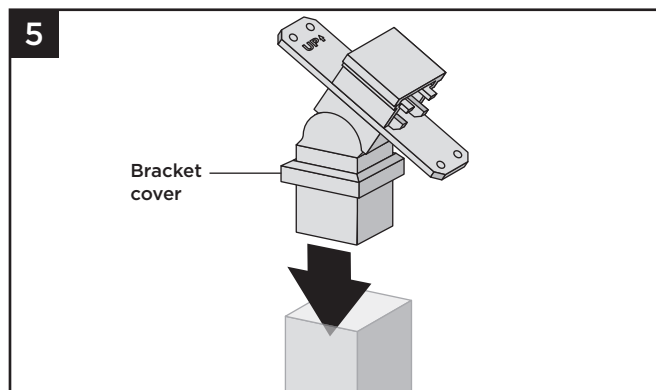
1. Follow previous instructions for installation of lower stair rail into either fixed or swivel brackets.
2. Place two balusters into lower stair rail at each end of post.



3. Position top stair rail onto balusters ensuring balusters are fully seated in top rail (position to side of post) and **ENSURE** that balusters are parallel with post.

4. Follow previous instructions marking and installation of either fixed or swivel bracket where this is required.

#### Attaching Stair Crossover Swivel Bracket to Post

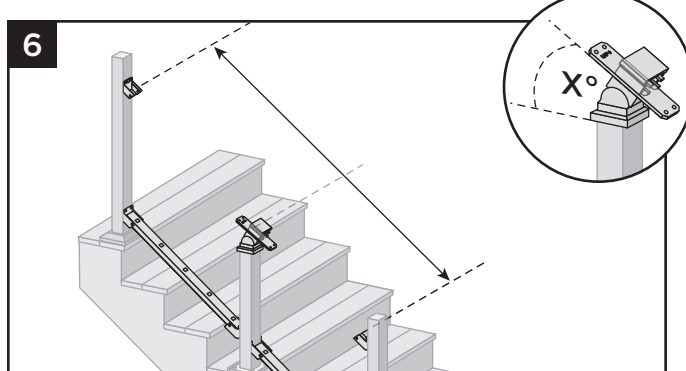


5. Insert stair crossover swivel bracket into post.

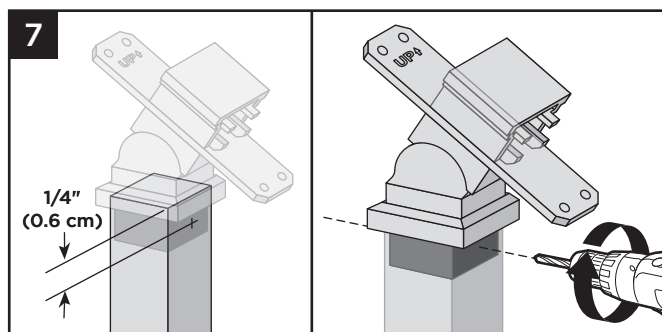
**NOTE:** Keep the bracket cover on when inserting this into post, this will cover the screw attachment area.

10

## ATTACHING CROSSOVER SWIVEL BRACKETS TO POSTS/CONTINUED TREX SIGNATURE

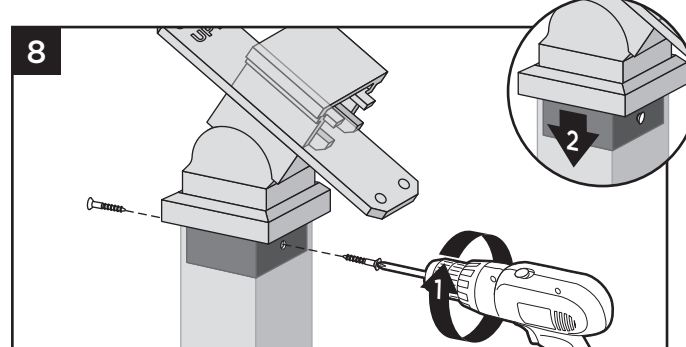


6. Determine location/height of the stair crossover swivel bracket by aligning the angle of this with the fixed brackets (or compound swivel brackets) already installed (posts can be cut if necessary).



7. Once location/height is determined, center and pre-drill two holes (using a drill bit slightly smaller than that of self-tapping screw diameter) on opposite sides of post, approx. 1/4" (0.6 cm) from top of post. Drill through the post and into the stair crossover swivel bracket on each side.

**NOTE:** Slightly countersink pre-drilled holes to allow for flat head screw to seat flush on the post. This will allow cover to fit over screw heads.

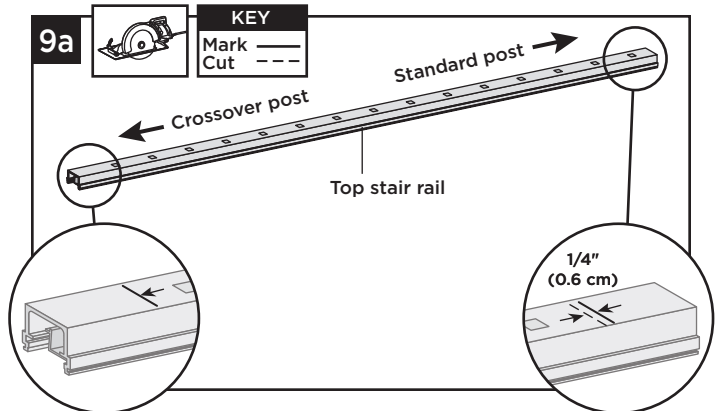


8. Attach stair crossover swivel bracket to post with two self-tapping screws (provided). Slide cover over post to hide screws.

## ATTACHING RAILS IN CROSSOVER POST APPLICATIONS TREX SIGNATURE

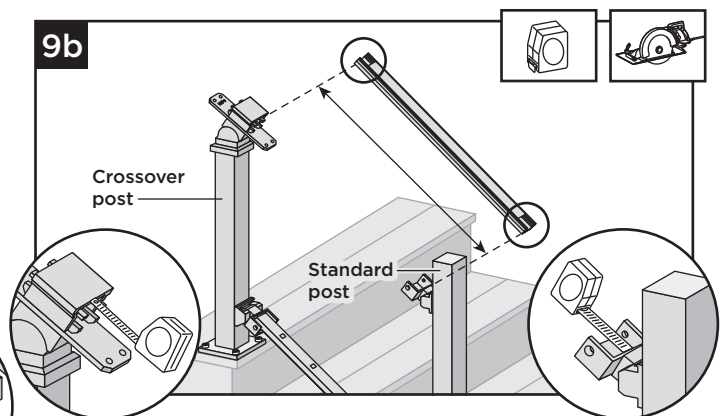
### Cutting Top Stair Rail and Insert For Stair Post-to-Stair Crossover Post Configuration

When Using Fixed Stair Brackets:



9a. Top stair rail along with rail insert must be cut differently on each side of the rail. Railing side that attaches to standard post should be cut 1/4" (0.6 cm) shorter than the mark to allow for fit into top rail bracket. Railing side that attaches to the crossover post should be cut directly on the mark to allow for fit into the crossover post bracket.

When using Upper Stair Swivel and Stair Crossover Swivel Brackets:



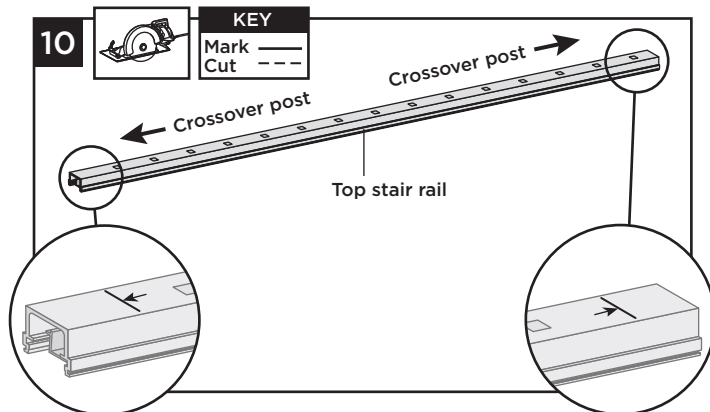
9b. When going from standard stair post to stair crossover post, measurement must be taken from inside of top horizontal stair swivel bracket to inside lip of stair crossover bracket. Crossover post will need to be modified to have swivel crossover bracket installed.

# TREX® SIGNATURE® STAIR RAILING

## Installation Instructions

### ATTACHING RAILS IN CROSSOVER POST APPLICATIONS CONTINUED TREX SIGNATURE

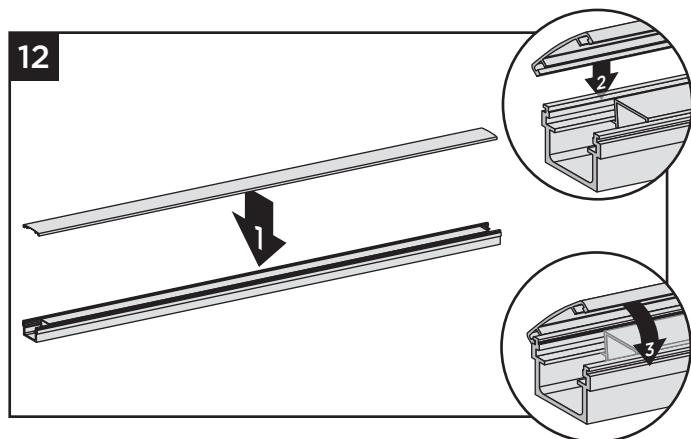
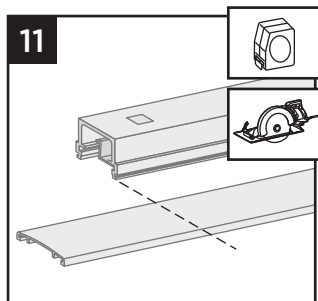
#### Cutting Top Stair Rail and Rail Insert For Stair Crossover Post-to-Stair Crossover Post Configuration



10. Cut each end of the top stair rail along with rail insert on the mark line to allow for fit into the crossover post bracket on each side.

#### Cutting Top Stair Rail Cover, and Attachment of Top Stair Rail Cover

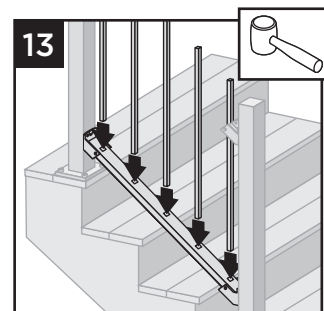
11. Mark and cut top rail cover same length as top rail for all top rail configurations.



12. Attach “crowned” upper stair rail cover to upper stair rail by aligning cover on one side of rail. Then, starting from one end of stair rail, snap cover onto opposing slot working down length of stair rail. **GENTLY** tapping with a **rubber mallet** may facilitate fastening.

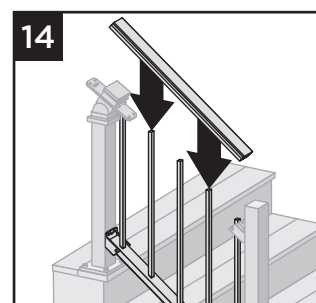
#### Installing Balusters into Bottom Stair Rail

13. Place balusters into holes in lower stair rail by snapping fully into place. In some cases, **GENTLE** tapping with a **rubber mallet** may facilitate fastening.

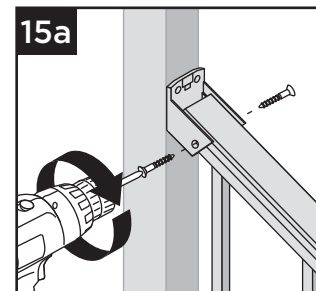


#### Attaching Upper Stair Rails

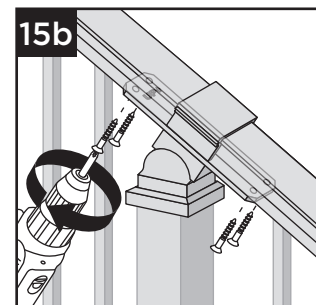
14. Working from one end of upper stair rail, snap balusters into upper stair rail working down length of rail.



15a. For stair post-to-post configuration, attach top stair rail to top stair bracket (all types) using two self-tapping screws (provided) on each side of stair bracket.



15b. For stair crossover post configuration, fasten upper stair rail to swivel crossover post bracket by installing screws diagonally through crossover stair bracket into upper rail using two self-tapping screws (provided) on each side.

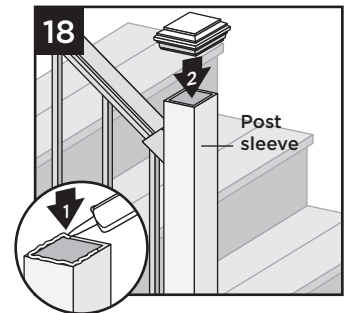
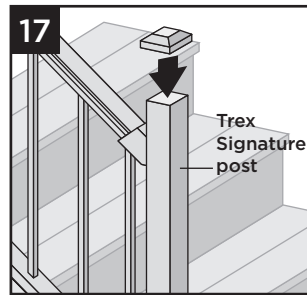
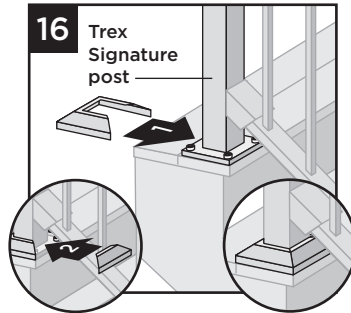


12

## ATTACHING RAILS IN CROSSOVER POST APPLICATIONS/CONTINUED TREX SIGNATURE

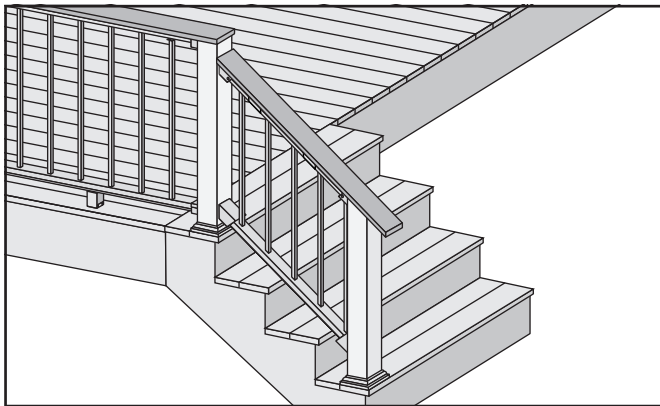
### Attachment of Skirts and Caps

16. Attach provided post skirt to bottom of posts when using Trex Signature posts.



17. Attach post caps to Trex Signature posts (use of **rubber mallet** may be required for secure attachment).
18. Attach post caps to post sleeves using external grade PVC construction adhesive (apply adhesive on the inside self-centering/corner tabs).

## HOW TO INSTALL COCKTAIL STAIR RAILING TREX SIGNATURE



### IMPORTANT NOTES:

- » *Only for use with pressure-treated 4 x 4 post (3.5" nominal square) and 4" x 4" (102 mm x 102 mm) post sleeve. Trex Signature posts, Trex post mounts or joist mount posts cannot be used with Trex Signature Cocktail stair railing. Cutting post and post sleeve only apply to the Cocktail style railing.*
- » **DO NOT CUT POST/POST SLEEVES UNTIL TOP RAILING AND COVER IS FULLY INSTALLED.**
- » *When referring to previous instructions referenced, disregard all crossover post instructions as these cannot be used with Cocktail railing.*

- » *THE DECK BOARD USED IN TREX SIGNATURE COCKTAIL RAILING WILL NEED TO TERMINATE AT THE TOP OF THE POST AS SHOWN ABOVE. THE DECK BOARD WILL HAVE TO BE TOENAILED INTO THE SIDE OF THE POST IN THESE AREAS USING 2 APPROPRIATE COMPOSITE DECKING SCREWS - PRE-DRILLING IS RECOMMENDED.*
- » *Do Not use Enhance for top board.*

### Installing Pressure-treated Posts, Post Sleeves, and Skirts to Use with Trex Signature Railing

1. See instructions on page 2.

### Installing Brackets

2. Follow previous stair instructions for the installation of desired brackets, making sure that all dimensions are calculated before installation, and ensuring deck board is placed in correct location. See instructions on pages 3 and 4 for fixed stair brackets and 7-10 for swivel stair brackets.

### Cutting Bottom Stair Rail and Cover

3. See instructions on page 3 for fixed stair brackets and pages 7-9 for swivel stair brackets.

### Installing Foot Block (where recommended)

4. See instructions on page 4.

### Attachment of Bottom Stair Rail

5. See instructions on page 4 for fixed stair brackets and page 8 for swivel stair brackets.

### How to Measure Top Stair Railings (WHEN REQUIRED)

6. See instructions on page 4 for fixed stair brackets and page 8 for swivel stair brackets.

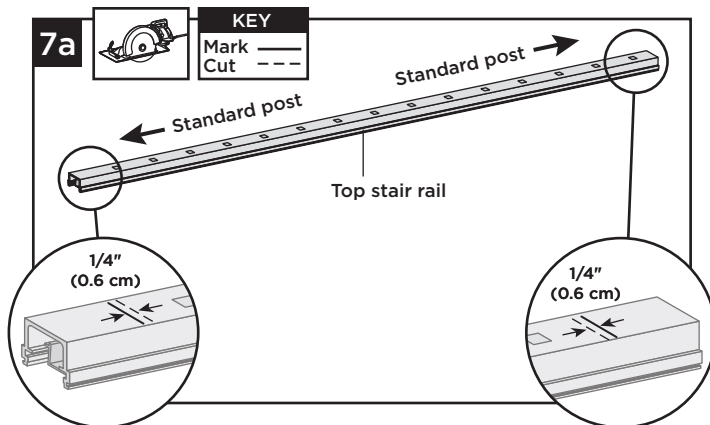


# TREX® SIGNATURE® STAIR RAILING

## Installation Instructions

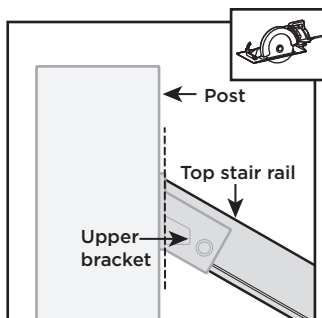
### HOW TO INSTALL COCKTAIL STAIR RAILING/ CONTINUED TREX SIGNATURE

#### Cutting Top Stair Rail and Rail Insert When using Fixed Stair Brackets



- 7a. Cut each end of top stair rail along with rail insert 1/4" (0.6 cm) shorter than mark to allow for fit into top stair rail bracket.

**NOTE: THE TOP RAIL WILL NEED TO BE CUT AT APPROPRIATE ANGLE ON THE END OF THE RAIL THAT CONNECTS TO THE UPPER FIXED BRACKET, SO THAT WHEN THE RAIL IS INSTALLED IT SITS FLUSH WITH THE END OF THE BRACKET AS SHOWN.**



#### Cutting Top Stair Rail and Rail Insert When using Upper Stair Swivel and Compound Swivel Brackets

7b. See instructions on page 9.

#### Cutting Top Stair Rail Cover, and Attachment of Top Stair Rail Cover

8. See instructions on page 9.

#### Installing Balusters into Bottom Stair Rail

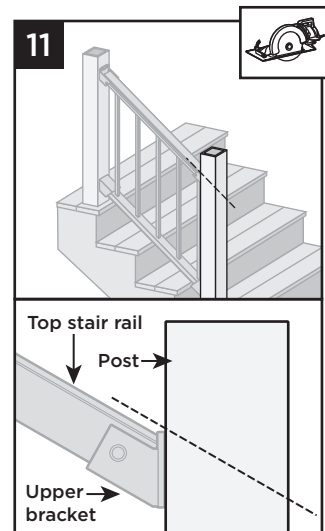
9. See instructions on page 9.

#### Attaching Upper Stair Rails

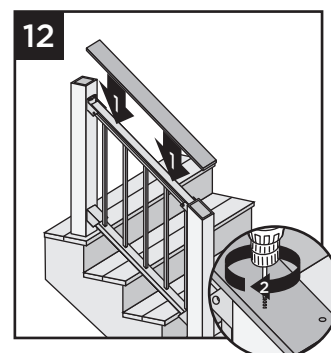
10. See instructions on page 9.

#### Cutting Post and Post Sleeve and Attaching Deck Board to Top Rail

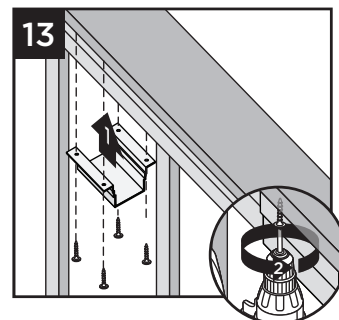
11. Cut post and post sleeves at proper angle so these are flush with the top of the top brackets and/or top rail cover. BE CAREFUL **NOT** to CUT brackets.



12. Place deck boards over top rails. PLACE DECK BOARD ON TOP RAIL TO CHECK FOR PROPER FIT AND RAIL CLEARANCE AT BRACKET LOCATIONS. DECK BOARD MAY REQUIRE EITHER A NOTCH CUT ON THE UNDERSIDE OR SLIGHT PLANING ON THE UNDERSIDE TO ALLOW DECK BOARD TO CLEAR TOPS OF BRACKETS AND SIT FLUSH ON TOP OF POSTS AND RAILS. Attach boards on each post with Trex-recommended composite screws (quantity of 2 per each board end).



13. Secure boards to top rail using Trex Signature Cocktail Bracket (sold separately). Ensure that there is a bracket at each end of the stair railing section, then space brackets approximately every 24" and attach with 4 screws provided.



**NOTE:** Pre-drilling before attachment is recommended.

**14**

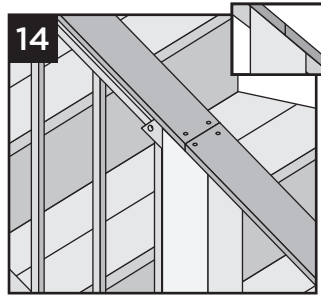
Have Questions?  
**1-800-BUY-TREX**

**NOTE:** Construction methods are always improving. Please ensure you have the most up-to-date installation instructions by visiting: [trex.com](http://trex.com)

TR-SIGN-ST-0422

## HOW TO INSTALL COCKTAIL STAIR RAILING/ TREX SIGNATURE

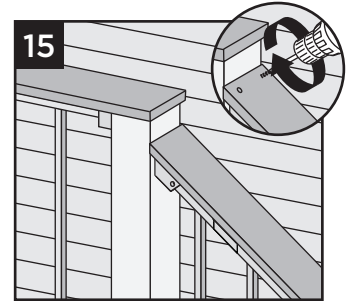
14. Use scarf cut for posts where two deck boards meet.



### NOTES:

- » Leave 1/8" (3 mm) gap between deck boards.
- » Deck boards can overhang end of last post maximum 1/2" (13 mm).

15. Where deck board terminates at top of post horizontal deck board, PREDRILL and toenail two approved composite deck screws as shown into post, being careful to avoid hitting stair bracket.

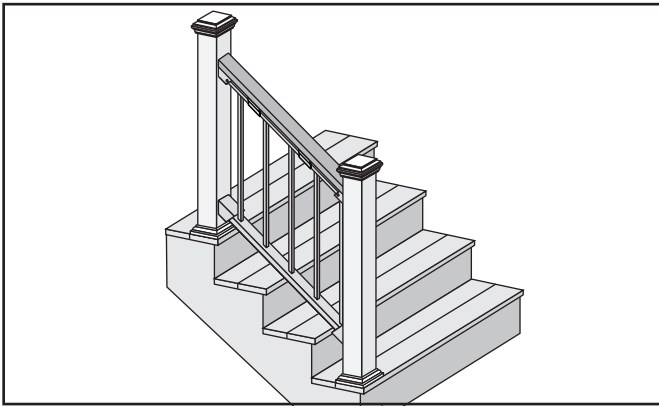


### Attachment of Bracket Covers and Skirts

16. See instructions on page 10.

**NOTE:** Top Bracket Covers are not attached in this configuration.

## HOW TO INSTALL TRADITIONAL STAIR RAILING TREX SIGNATURE



### IMPORTANT NOTE:

- » Only for use with pressure-treated 4 x 4 post (3.5" nominal square) and 4" x 4" (102 mm x 102 mm) or 6" x 6" post sleeve. Trex Signature Posts, Trex Post Mounts or Joist Mount Posts cannot be used with Trex Signature Traditional railing.

### Installing Standard Trex Signature Stair Posts, or Pressure-treated Post

1. See instructions on page 2.

### Installing Lower Fixed Stair Brackets

- 2a. See instructions on pages 3 and 4.

### Installing Lower Stair Swivel and Compound Swivel Brackets

- 2b. See instructions on page 7.

### How to Measure Bottom Stair Railings Fixed Stair Brackets

- 3a. See instructions on page 3.

### How to Measure Bottom Stair Railings When using Stair Swivel and Compound Swivel Brackets

- 3b. See instructions on page 7.

### Cutting Bottom Stair Rail, Bottom Stair Rail Cover When Using Fixed Stair Brackets

- 4a. See instructions on page 3.

### Cutting Bottom Stair Rail, Bottom Stair Rail Cover When Using Stair Swivel and Compound Swivel Brackets

- 4b. See instructions on page 7.

### Attaching Foot Block (where recommended)

5. See instructions on page 4.

### Attachment of Bottom Stair Rail Cover and Bottom Stair Rail to Fixed Brackets

- 6a. See instructions on page 4.

### Attachment of Bottom Stair Rail Cover and Bottom Stair Rail to Swivel and Compound Swivel Brackets

- 6b. See instructions on page 8.

### Installing Upper Fixed Stair Brackets and Measuring Upper Rail

- 7a. See instructions on pages 4.

### Installing Upper Swivel and Swivel Compound Stair Brackets and Measuring Upper Rail

- 7b. See instructions on pages 8-9.

# TREX® SIGNATURE® STAIR RAILING

## Installation Instructions

### HOW TO INSTALL TRADITIONAL STAIR RAILING/CONTINUED

#### TREX SIGNATURE

##### Cutting Top Stair Rail and Rail Insert When Using Fixed Stair Brackets

8a. See instructions on page 5.

##### Cutting Top Stair Rail and Rail Insert When Using Swivel Compound Stair Brackets and Measuring Upper Rail

8b. See instructions on page 9.

##### Installing Balusters into Bottom Stair Rail When Using Fixed Stair

9a. See instructions on page 5.

##### Installing Balusters into Bottom Stair Rail When Using Swivel and Compound Swivel Brackets

9b. See instructions on page 9.

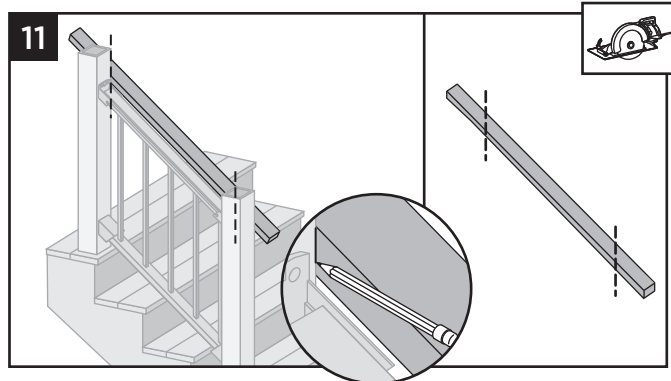
##### Attaching Upper Stair Rails When Using Fixed Stair Brackets

10a. See instructions on page 6.

##### Attaching Upper Stair Rails When Using Swivel Compound Stair Brackets

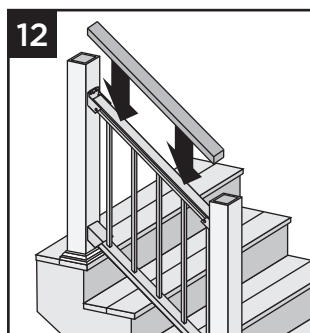
10b. See instructions on page 9.

##### Attaching 2 x 4 to Top Rail

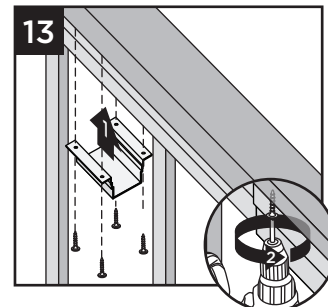


11. Place 2 x 4 beside top rail. Mark and cut (both ends need to be cut on an angle for proper fit).

12. Place 2 x 4 on Trex Signature top stair rail.

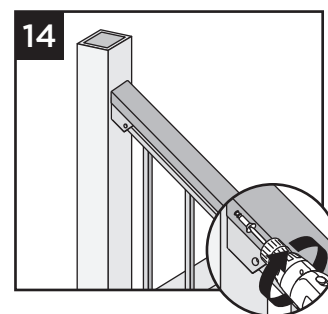


13. Secure 2 x 4 to top rail using Trex Signature Cocktail Bracket (sold separately). Ensure that there is a bracket at each end of the railing section, then space brackets approximately every 24" and attach with 4 screws provided.



**NOTE:** Pre-drilling before attachment is recommended.

14. Pre-drill a pilot hole and toenail 2-1/2" (6.4 cm) screw at each end of 2 x 4 into post on back side of rail (side not facing decking).



##### Attachment of Lower Stair Bracket Covers, Skirts, and Caps Fixed Bracket

15a. See instructions on page 6.

##### Attachment of Lower Stair Bracket Covers, Skirts, and Caps Swivel or Compound Swivel Bracket

15b. See instructions on page 10.

**NOTE:** Top Bracket Covers are not attached in this configuration.