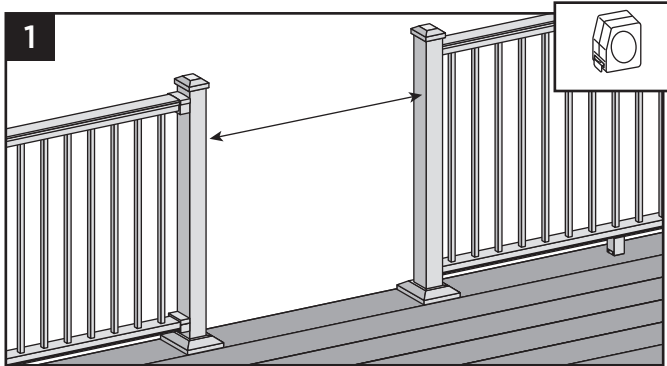


# TREX® ALUMINUM GATE

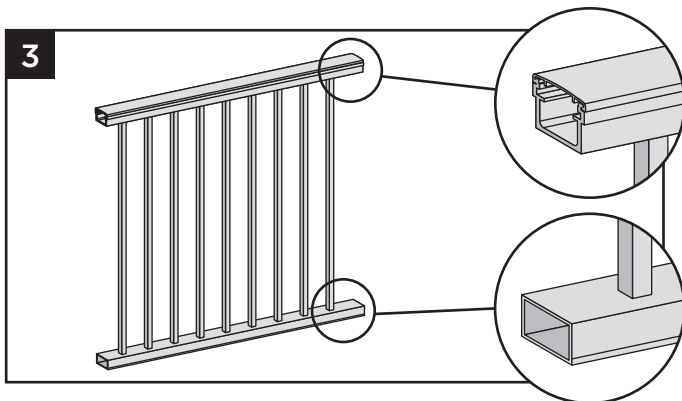
## Installation Instructions

### INSTALLING ALUMINUM GATE

#### TREX ALUMINUM

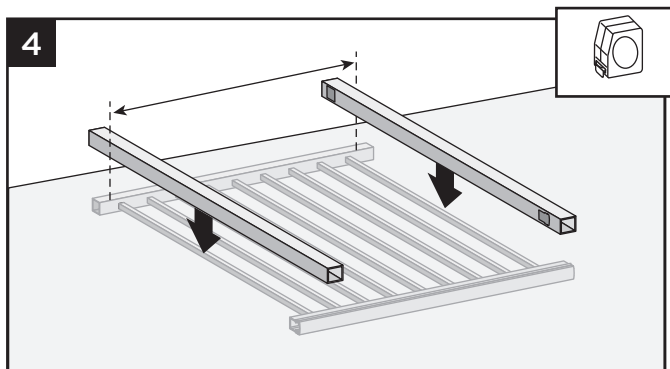


1. Measure opening between posts (gates can be customized to fit nearly any opening up to 48" [1219 mm] wide).
2. Subtract 1-7/8" (48 mm) from above measurement. This will allow for proper gapping and location of gate.

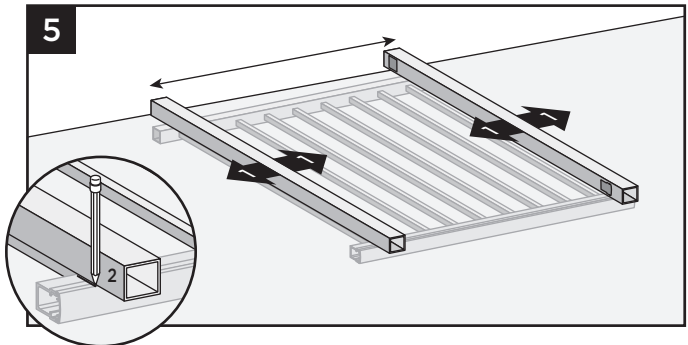


3. Identify top and bottom of panel.

**NOTE:** The posts only fit in one direction.

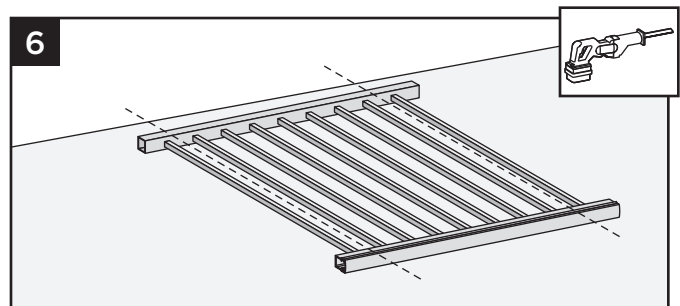


4. Lay panel on a flat non-marring surface. Place posts on top of panel. Place posts so that width measurement from Step 2 is to the outside of each post.

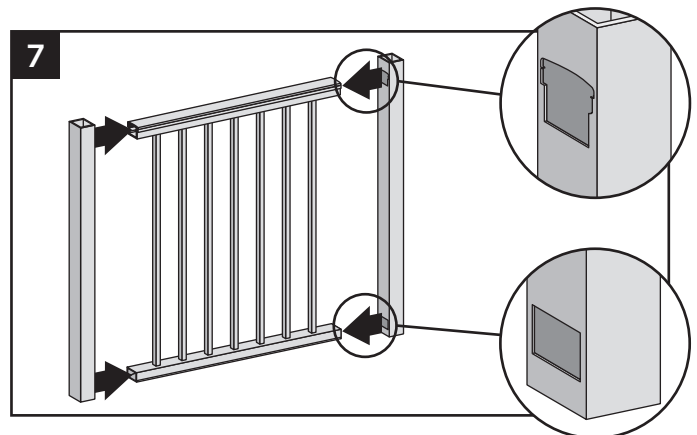


5. Adjust posts so that cut marks do not fall on a baluster. Make sure distance from first baluster to post is the same on both sides. Mark cut locations on panel.

**NOTE:** If widths do fall on a baluster, cut baluster flush at top and bottom prior to cutting panel.



6. Cut panel using a reciprocating saw (equipped with a metal blade).



7. Insert posts into panel.

**NOTE:** Make sure top and bottom of panel orientation is correct.

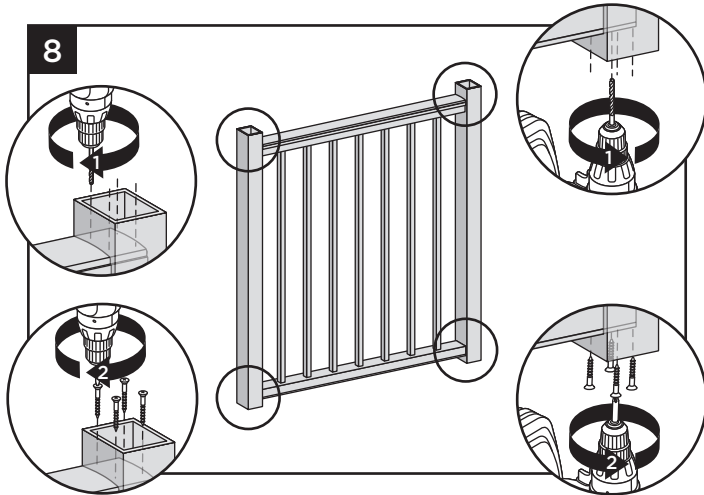
1

Have Questions?  
1-800-BUY-TREX

**NOTE:** Construction methods are always improving. Please ensure you have the most up-to-date installation instructions by visiting: [trex.com](http://trex.com)

TAG-0623

## INSTALLING ALUMINUM GATE/CONTINUED TREX ALUMINUM





8. Using a 9/64" drill bit, pre-drill at location for attachment of railing to bracket. Secure posts to panel with four 5/8" long self-tapping screws (provided) in each location.

### Installing Hinges

#### NOTES:

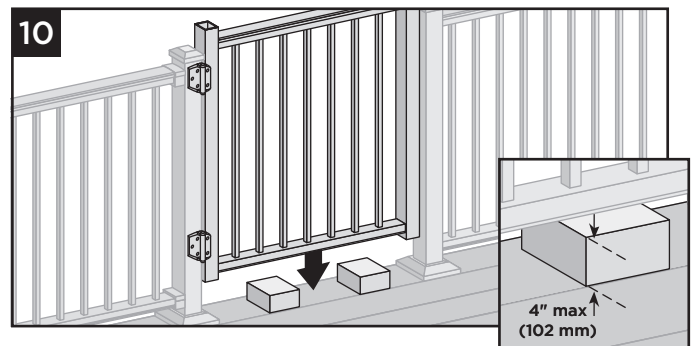
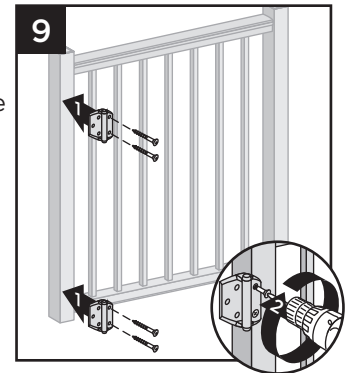
- » Both wood and aluminum screws are included in hardware kit. (Refer to chart below.)
- » If using Trex Post Mounts with Post Sleeves, pre-drilling is required using 1/8" (3 mm) drill bit, as you must go through both aluminum sleeve and internal post.
- » Refer to instructions included in hardware package. Be sure to use correct fasteners for aluminum. See chart below.

#### MINIMUM FASTENER SIZE - HINGE ATTACHMENT

SCREWS		
Type	Length	No.
 Wood Screw	2-1/2" (64 mm)	#9
 Metal Screw	2" (51 mm)	#8-18

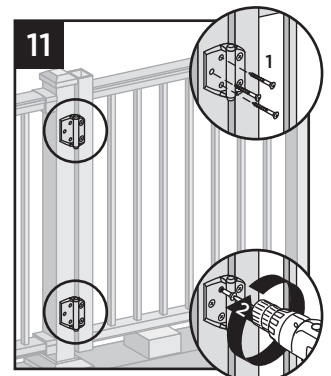
**NOTE:** Use of non-Trex hardware is not recommended and could result in serious injury or death.

9. Attach shorter side of hinge to the gate using appropriate hinge hardware as listed in chart.



10. Place gate in opening on blocks. Sweep between bottom of gate and top of deck cannot exceed 4" (102 mm) per IRC/IBC code regulations. Ensure bottom gate posts will be high enough to clear skirts on bottom of deck posts.

11. Make sure posts are plumb and gate is level. Attach longer side of hinges to post using appropriate hardware for type of post installed. Install hinge cover.



12. After determining location and height of hinge and hasp, install per instructions included with hardware kit.

13. Ensure proper operation of gate. Hinge tension is adjustable (check hardware kit instructions for more detail).

14. After gate installation, place blocks under gate for support. Use a rubber mallet to install cap onto gate post. Repeat for other gate post cap. Snap all hinge covers into place.

