

TREX SELECT T-RAIL® STAIR RAILING

Installation Instructions



IMPORTANT NOTES:

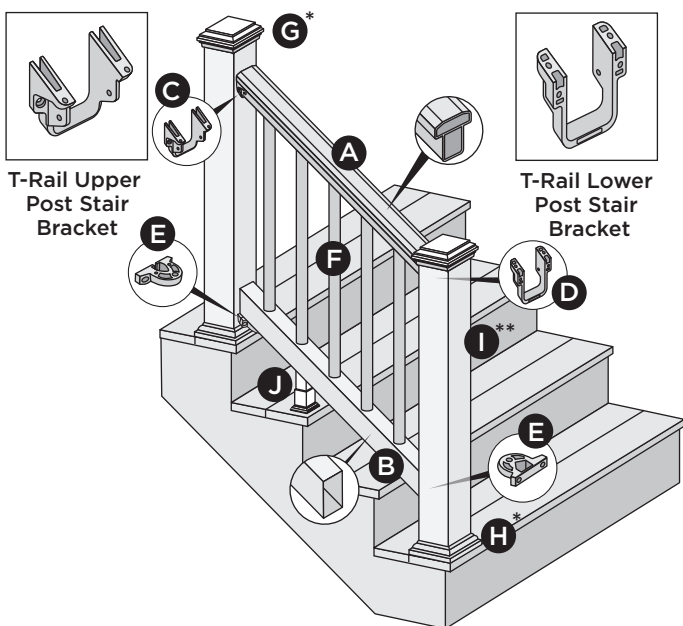
- » TREX SELECT T-RAIL RAILINGS ARE DESIGNED TO BE INSTALLED OVER THE DECKING FRAME OR ON INSIDE OF RIM JOIST. NOTCHING OF PRESSURE-TREATED POSTS OR POSTS INSTALLED ON OUTSIDE OF RIM JOIST IS NOT ALLOWED.
- » POST TO POST SPAN WILL BE LESS THAN 6'. PRIOR TO INSTALLING POSTS CALCULATE POST TO POST SPAN USING A MAXIMUM RAIL LENGTH REQUIRED AND THE ANGLE (32°-37°) AT WHICH THE RAILS WILL BE INSTALLED. DO NOT INSTALL STAIR POSTS AT 6' SPAN, AS STAIR RAILINGS WILL THEN BE TOO SHORT.
- » IF INSTALLING STAIR RAILING OVER 6', THE TREX T-RAIL ALUMINUM RAIL STIFFENER MUST BE USED TO MEET CODE REQUIREMENTS.

Care and Cleaning

Maintaining the appearance of your Trex T-Rail railing is important. The occasional wash is recommended as over time your railing may show signs of weathering as a result of exposure to the elements. The frequency of cleaning will depend on the environment and exposure to various types of elements.

- » Clean railing using a standard cleaning vinegar or mild soap and water.
- » For more detailed cleaning recommendations please refer to the Trex Railing Care and Cleaning guide found on www.trex.com.

PARTS



NOTE: T-Rail Aluminum Rail Stiffener not shown above but is required for all stair railing installations over 6'.

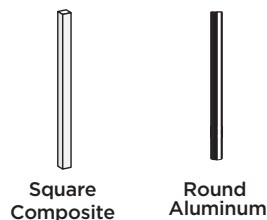
- A. Stair T-Rail
- B. Stair Bottom Rail
- C. T-Rail Upper Post Stair Bracket
- D. T-Rail Lower Post Stair Bracket
- E. Lower Post Bracket
- F. Balusters
- G. Post sleeve cap*
- H. Post sleeve skirt*
- I. Post sleeve - 4" x 4" **
- J. Adjustable foot block (quantity of one is required for all railing span lengths)

* Item not included in the Enhance railing kits.

** 4" x 4" post sleeve is designed to fit over 4x4 pressure-treated post.

DETERMINING BALUSTERS NEEDED		
Baluster Type	Per 6' Section	Per 8' Section
Stair Application	13	17

BALUSTER OPTIONS

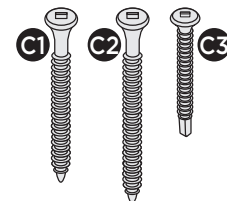


NOTES:

- » In most cases, a post and post sleeve longer than 39" will be needed on the lower section of stair rail to accommodate stair angle.
- » Make sure top and bottom posts for stairs are installed at nose of each tread.
- » If using 8' railings, the Trex Select 8' Aluminum T-Rail Stiffener (sku SELALTRAILSTIFFNR sold separately) can also be used to allow the rail to be stronger if required.

Screws Supplied with Brackets

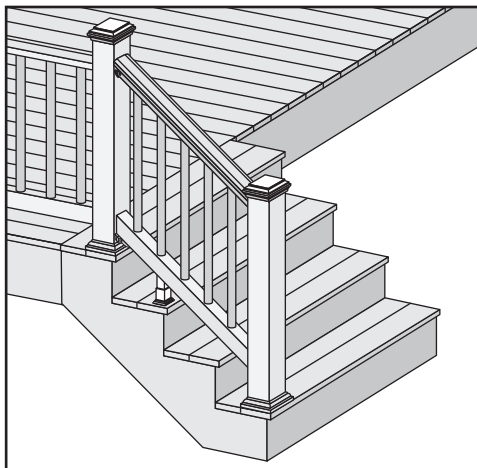
- C1. 2" Wood screw for attachment of T-Rail stair bracket to wood post/composite sleeve
- C2. 3" Wood screw for attachment of lower rail bracket to wood post/composite sleeve
- C3. 1" Self-drilling rail screw for attachment of railing to bracket



TREX SELECT T-RAIL® STAIR RAILING

Installation Instructions

HOW TO INSTALL STANDARD STAIR RAILING/CONTINUED TREX SELECT T-RAIL®

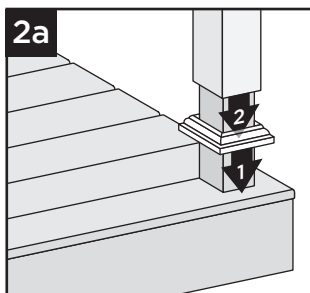


1. Installing Pressure-Treated Posts

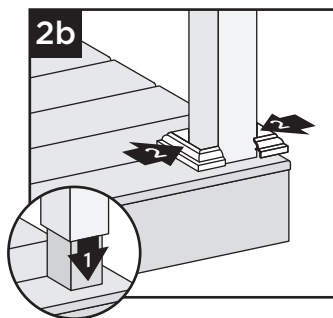
- » **PLEASE REFER TO LOCAL BUILDING CODE REQUIREMENTS PRIOR TO ATTACHING PRESSURE TREATED POSTS.**
- » **PRESSURE TREATED POSTS MUST BE INSTALLED ON INSIDE OF STAIR STRINGER AND AT NOSE OF STAIR TREAD.**
- » **POST TO POST SPAN WILL BE LESS THAN 6'. PRIOR TO INSTALLING POSTS CALCULATE POST TO POST SPAN USING A MAXIMUM RAIL LENGTH REQUIRED AND THE ANGLE (32°-37°) AT WHICH THE RAILS WILL BE INSTALLED. DO NOT INSTALL STAIR POSTS AT 6' SPAN, AS STAIR RAILINGS WILL THEN BE TOO SHORT.**
- » *A post and post sleeve longer than 39" will be needed on the lower section of stair rail to accommodate stair angle.*
- » *Ensure pressure-treated posts are installed at proper heights so when post sleeves are installed, both the PT post and post sleeve are flush at the top.*

Installing Post Sleeve Skirts and Post Sleeves

2a. If using a 1-piece skirt, slide post sleeve skirt over post and down to rest on decking surface. Slide post sleeve over post and position inside post sleeve skirt.



2b. If using a two-piece skirt, slide post sleeve over post and down to rest on decking surface. Snap two piece skirt over post sleeve.



NOTE: Shims can be used to plumb post sleeves.

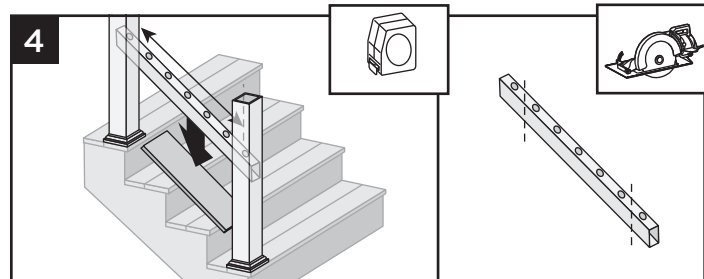
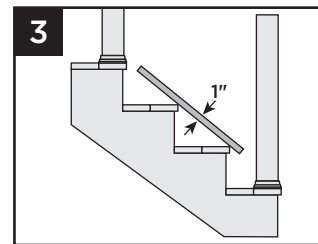
2

Have Questions?
1-800-BUY-TREX

NOTE: Construction methods are always improving. Please ensure you have the most up-to-date installation instructions by visiting: trex.com

Measuring and Cutting Bottom Rail

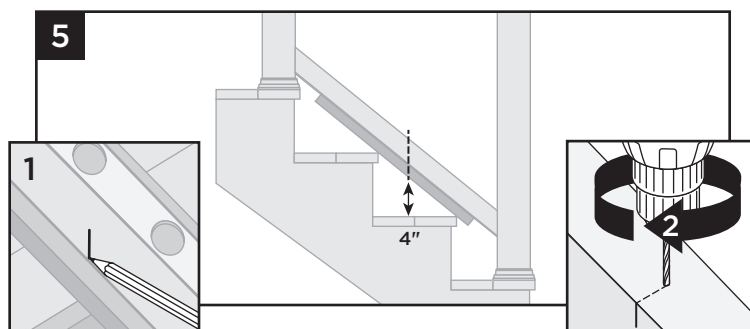
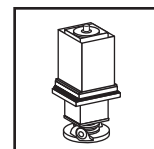
3. Place a 1" deckboard on the nose of the stair tread.



4. Set bottom stair rail on top of deckboard, making sure baluster holes are vertically aligned and mark line at each intersection. **When measuring, cut equal lengths from each side of railing allowing a minimum of 2" on each end from the last baluster hole to the end of the rail.** This will ensure proper baluster and bracket placement and equal spacing of balusters per each railing section.

IMPORTANT NOTE REGARDING FOOT BLOCK INSTALLATION:

- » Refer to detailed instructions included with foot block prior to installation of railing section as these include other required steps for proper installation.



Marking Location for Foot Block to Bottom Rail

5. Mark approximate location for foot block, allowing a measurement of 4" maximum. Invert the bottom rail, and at marked location drill a hole using a 3/16" drill bit in the center of the channel. Foot block is to be installed at last step.

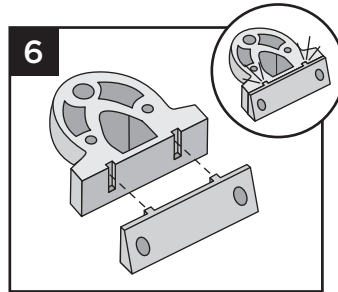
STRS-0323

HOW TO INSTALL STANDARD STAIR RAILING/CONTINUED TREX SELECT T-RAIL™

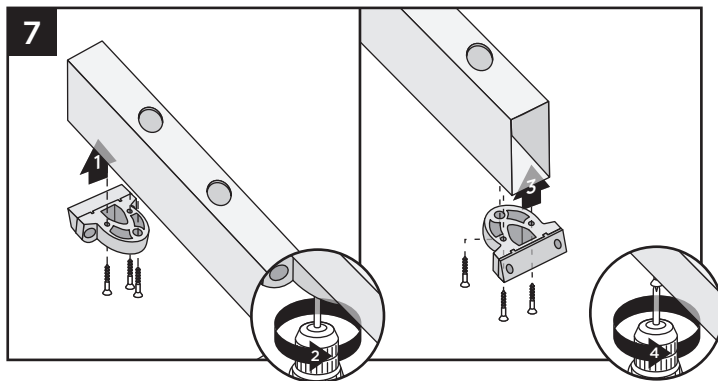
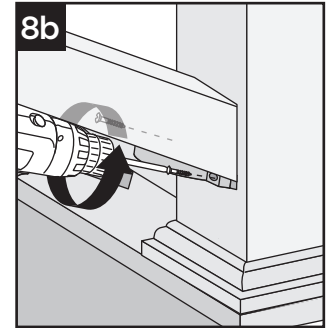
Attaching Brackets to Bottom Rail

6. Snap the top stair adaptor bracket (labeled TOP) to the standard bracket. Repeat for remaining bottom bracket.

TIP: Use a dab of super glue when snapping bracket together. This will help stabilize bracket when installing.



- 8b. Attach bottom stair rail stair bracket to lower post using two #9-16 x 3" wood screws (provided). (deck board can now be removed).



7. On the **BOTTOM RAIL**, attach the assembled bottom stair brackets to the **OPPOSITE SIDE** of the baluster holes. Attach both brackets using three #8-18 x 1" self-drilling screws (provided).

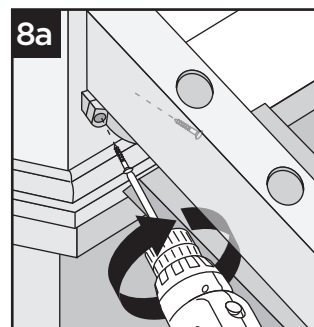
Attachment of Bottom Rail to Post

NOTES:

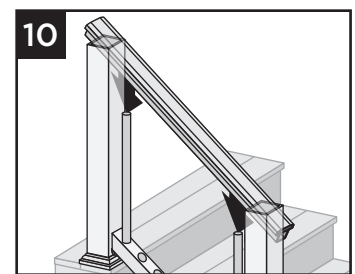
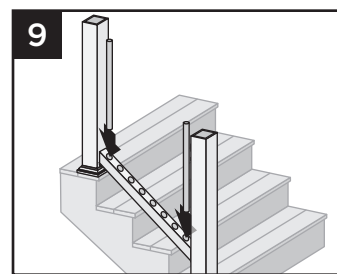
- » For attachment of brackets to posts, use at least a 3" long drill bit or extension so as to not damage sides of rails when installing.
- » **SET DRILL TO LOW SPEED AND LOW CLUTCH SETTING WHEN INSTALLING THESE SCREWS. DO NOT USE IMPACT DRIVER.**

TIP: Pre-drill prior to screw installation using a 7/64" drill bit

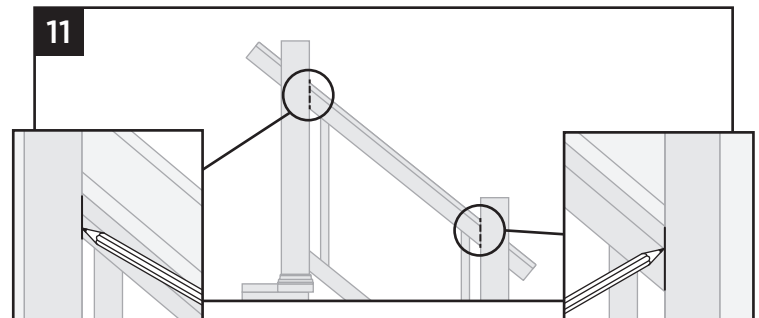
- 8a. Keeping deck board on stair treads, center bottom rail between posts and attach bottom rail stair bracket to upper post using two #9-16 x 3" wood screws (provided).



Measuring and Cutting Stair T-Rail

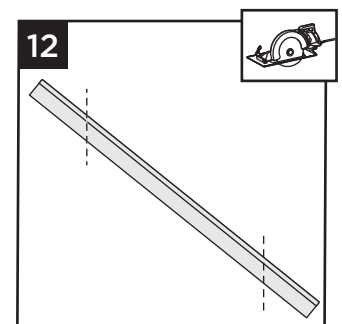


9. Place two balusters into lower stair rail at each end closest to the post.
10. Position T-Rail onto balusters, ensuring balusters are fully seated in rail (position to side of post), and **ENSURE** balusters are spaced evenly **AND** parallel with posts.



11. Mark stair T-Rail at post intersections.

- 12a. Remove T-Rail, and cut along the marks.



TREX SELECT T-RAIL® STAIR RAILING

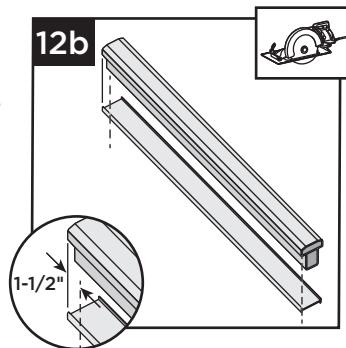
Installation Instructions



HOW TO INSTALL STANDARD STAIR RAILING/ CONTINUED TREX SELECT T-RAIL®

Cutting T-Rail Aluminum Stiffener (if required)

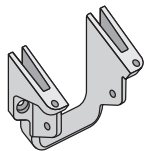
12b. For stair railing installations over 6' in length, the T-Rail aluminum rail stiffener must be used. The stiffener **MUST** be cut 1 1/2" shorter than the T-Rail.



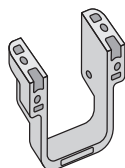
Attaching Brackets on Stair T-Rail

NOTES:

- » For attachment of brackets to posts, use at least a 3" long drill bit or extension so as to not damage sides of rails when installing.
- » **SET DRILL TO LOW SPEED AND LOW CLUTCH SETTING WHEN INSTALLING THESE SCREWS. DO NOT USE IMPACT DRIVER.**

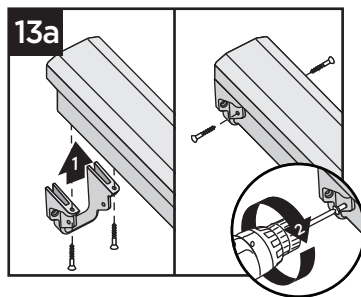


T-Rail Upper Post Stair

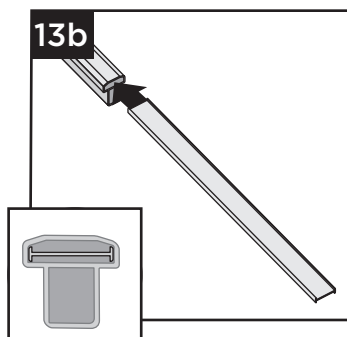


T-Rail Lower Post Stair

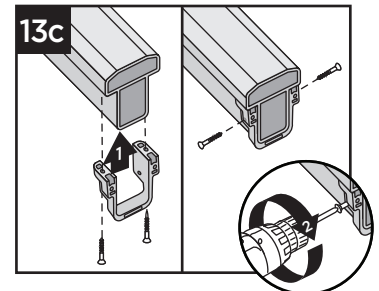
13a. On the T-Rail at UPPER POST location, attach the stair bracket to the side WITH the baluster holes. Attach bracket using four #8-18 x 1" self-drilling screws (provided). Install upper screws first into underside of T-Rail and then install screws on the side.



13b. If using the T-Rail aluminum stiffener, slide this inside T-Rail as shown. Note that the stiffener must be slightly shorter to allow for brackets to be installed. Screws from brackets are **NOT** to penetrate the stiffener.

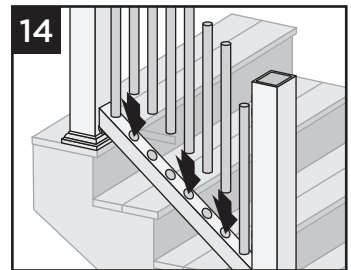


13c. On the T-Rail at the LOWER POST location, attach the bracket to the side WITH the baluster holes. Attach bracket using four #8-18 x 1" self-drilling screws (provided). Install upper screws first into underside of T-Rail and then install screws on the side.



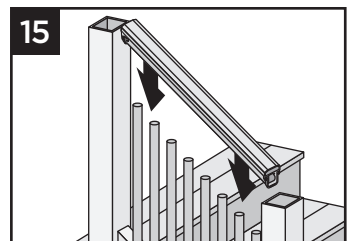
Installing Balusters

14. Slide remaining balusters into bottom rail until balusters are fully seated.

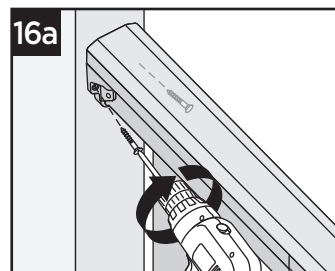


Attachment of T-Rail to Post

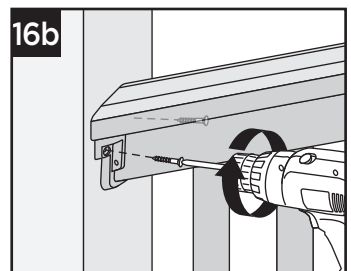
15. Place T-Rail onto balusters, allowing the T-Rail to rest on the surface of the balusters.



TIP: Pre-drill prior to screw installation using a 7/64" drill bit.



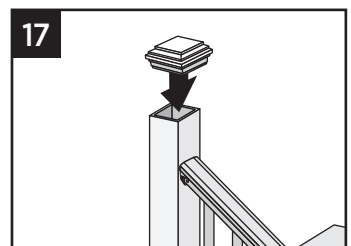
16a. Attach stair T-Rail bracket to upper post using two #9-16 x 2" screws (provided).



16b. Attach stair T-Rail bracket to lower post using two #9-16 x 2" screws (provided).

Attaching Post Caps and Installing Foot Block

17. Secure post caps with silicone or PVC adhesive. (apply adhesive on the inside self-centering/corner tabs). Attach foot block per foot block instructions.



NOTE: Clean up any excess adhesive before it dries.