

# TREX TRANSCEND® HORIZONTAL RAILING

## Installation Instructions



### NOTES:

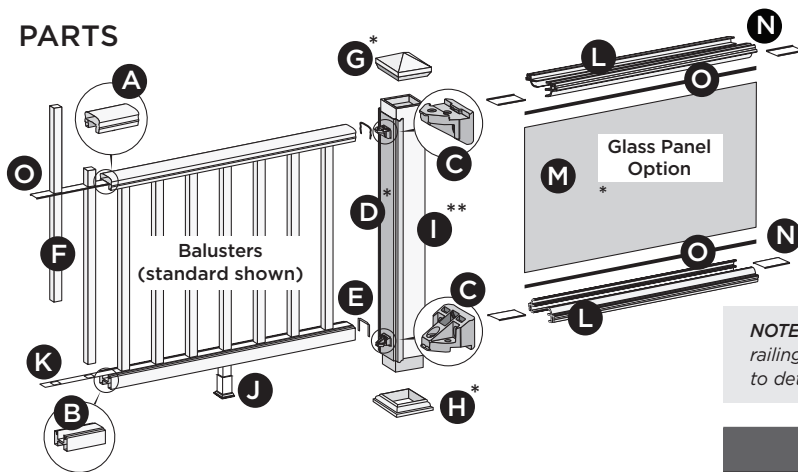
- » TREX TRANSCEND RAILINGS ARE DESIGNED TO BE INSTALLED OVER THE DECKING FRAME OR ON INSIDE OF RIM JOIST. NOTCHING OF PRESSURE-TREATED POSTS OR POSTS INSTALLED ON OUTSIDE OF RIM JOIST IS NOT ALLOWED.
- » All Trex Transcend railing lengths are manufactured at ON CENTER dimensions (spanning from center of each post): 67-5/8" (1718 mm) for 6' (1.83 m) on center, and 91-5/8" (2353 mm) for 8' (2.44 m) on center. Note that railings are designed to be slightly longer than required to allow for very slight play in post placement - some minimal trimming may be required. IT IS VERY IMPORTANT TO MEASURE FIRST.

## Care and Cleaning

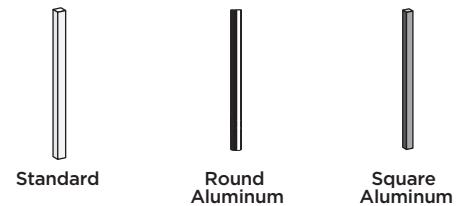
Maintaining the appearance of your Trex Transcend railing is important. Occasional washing is recommended. Over time your railing may show signs of weathering as a result of exposure to the elements. The frequency of cleaning will depend on the environment and exposure to various types of elements.

- » Clean railing with standard cleaning vinegar or mild soap and water.
- » For more detailed cleaning recommendations, please refer to the Trex Railing Care and Cleaning guide found on [www.trex.com](http://www.trex.com).

## PARTS



## BALUSTER OPTIONS



**NOTE:** Pictorial representations shown may only show one style of railing, while others may also be used. Review detailed instructions to determine what railing styles and combinations can be used.

## DETERMINING BALUSTERS NEEDED

Baluster Type	Per 6' OC Section	Per 8' OC Section
Standard (Horizontal Application)	13	18
Round/Square Aluminum (Horizontal Application)	15	20

- A. Crown or Universal Rail
- B. Universal Rail
- C. Railing Support Bracket (RSB)
- D. TrexExpress™ Railing Assembly Template\*
- E. Rail gaskets
- F. Balusters
- G. Post sleeve cap\*
- H. Post sleeve skirt\*
- I. Post sleeve - 4" x 4" (102 mm x 102 mm) or 6" x 6" (152 mm x 152 mm)\*\*
- J. Adjustable foot block (quantity of one is required for all railing span lengths)\*\*
- K. Baluster spacer

### Trex Transcend Glass Panel Parts List

- L. Panel support molding
- M. Tempered glass panel\*
- N. Panel support molding spacer
- O. Weather-stripping

\*Item not included in the Transcend railing kits.

\*\*Both 4" x 4" (102 mm x 102 mm) and 6" x 6" (152 mm x 152 mm) post sleeves are designed to fit over 4x4 pressure-treated post.

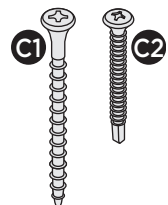
\*\*\* For commercial applications, spans over 6' will require two foot blocks. One will be included in kit, a second one will need to be purchased separately.

### NOTES:

- » Basic installation for balusters is the same for all options. When using round or square aluminum balusters, use correct baluster spacers.
- » If installing 42" (1067 mm) railing, use longer post sleeves and measure accordingly to ensure a proper cut. DO NOT CUT TO ACTUAL 42" LENGTH WITHOUT CONFIRMING WHAT STYLE OF RAILING YOU ARE INSTALLING.
- » Ensure pressure-treated posts are installed at proper heights so when post sleeves are installed, both the PT post and post sleeve are flush at top.
- » If using post mounts, refer to detailed instructions provided with post mounts for attaching these prior to installation of any railing type.

### Screws Supplied with RSB

- C1. Wood screw for attachment of RSB to wood post/composite sleeve
- C2. Self-drilling screw for attachment of RSB to rail

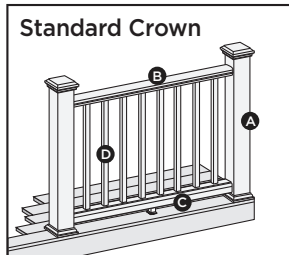


# TREX TRANSCEND® HORIZONTAL RAILING

## Installation Instructions

### TREX TRANSCEND RAILING CONFIGURATIONS

Note: See specific installation instructions for attachment of Trex Post Mounts or Trex Joist Mount Posts prior to installing any railing.



Cutting post sleeves is **NOT** required.

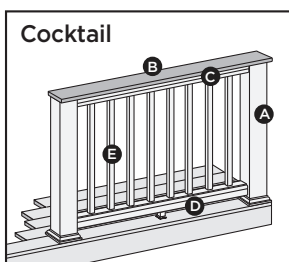
A. Pressure-treated post/Trex post sleeve, Trex post mount/Trex post sleeve, or Joist Mount Post/Trex post sleeve\* (INSIDE MOUNT ONLY)

B. Crown rail

C. Universal bottom rail

D. Trex balusters

See page 3 for "How to Install Standard Railing".



Post sleeves **WILL NEED TO BE CUT**.

A. Pressure-treated post with Trex post sleeve

**NOTE:** » Only for use with 4" x 4" (102 mm x 102 mm) post sleeve.

» Trex post mounts cannot be used with Transcend cocktail design.

B. Deck board top rail (1 x 6 or 2 x 6). **NOTE:** Enhance and Escapes cannot be used.

C. Universal top rail

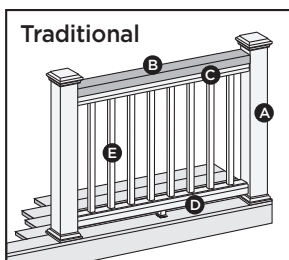
D. Universal bottom rail

E. Trex balusters

See page 5 for "How to Install Cocktail Railing".

**NOTE:** Additional pan head screws will need to be purchased - see detailed instructions.

**POST  
SLEEVES  
WILL  
NEED TO  
BE CUT**



Cutting post sleeves is **NOT** required.

A. Pressure-treated post/Trex post sleeve, Trex post mount/Trex post sleeve, or Joist mount post/Trex post sleeve\* (INSIDE MOUNT ONLY)

B. 2 x 4 top rail

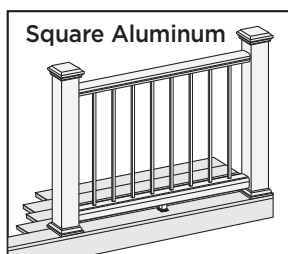
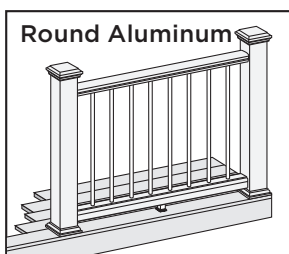
C. Universal top rail

D. Universal bottom rail

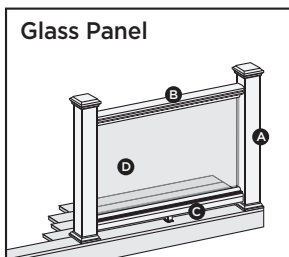
E. Trex balusters

See page 6 for "How to Install Traditional Railing".

**NOTE:** Additional pan head screws will need to be purchased - see detailed instructions.



- » Follow desired railing style instructions found above, substituting correct baluster spacer for type of baluster being used.
- » Refer to detailed instructions for added steps when using round and square aluminum balusters. See page 7.



Cutting post sleeves is **NOT** required.

A. Pressure-treated post/Trex post sleeve, Trex post mount/Trex post sleeve, or Joist mount post/Trex post sleeve (INSIDE MOUNT ONLY)

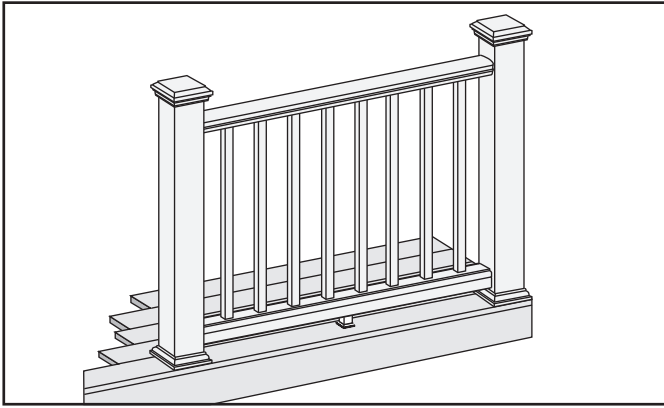
B. Crown rail (use universal rail if building cocktail or traditional design with glass inserts)

C. Universal bottom rail

D. Tempered glass panel (**NOT** included in kit)

See page 8 for "How to Install Standard Glass Panel Railing", page 10 for "How to Install Cocktail Style Glass Panel Railing" (\*\*NOTE: Trex Post Mounts or Trex Joist Mount Posts cannot be used with this railing configuration), and page 11 for "How to Install Traditional Style Glass Panel Railing".

## HOW TO INSTALL STANDARD RAILING TREX TRANSCEND

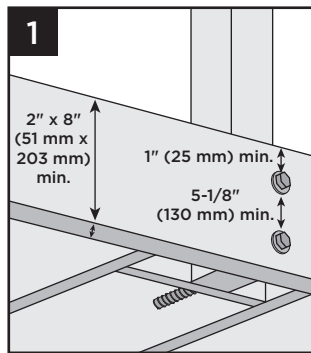


Read all instructions **BEFORE** installation.

**Important:** Post sleeves are **NOT** to be cut for this design style.

### Installing Pressure-Treated Posts

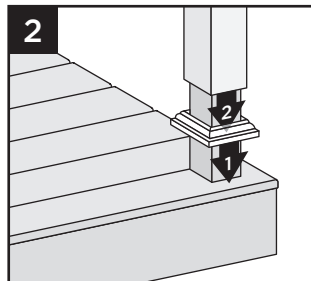
- » Please refer to local building code requirements prior to attaching pressure treated posts. Below instructions are guidelines for general requirements.
- » Posts are to be installed 6' (1.83 m) or 8' (2.44 m) on center to accommodate appropriate railing length.
- » Attach posts using 1/2" (130 mm) carriage bolts.
- » Minimum joist size is 2" x 8" (51 mm x 203 mm).
- » Top bolts must be 1" (25 mm) from tops of joists.
- » Bottom bolts must be 5-1/8" (130 mm) from top bolts.
- » Bolts can be countersunk flush with framing to allow for fascia attachment.



**NOTE:** Blocking can be added for extra strength.

### Installing Post Sleeve Skirts and Post Sleeves

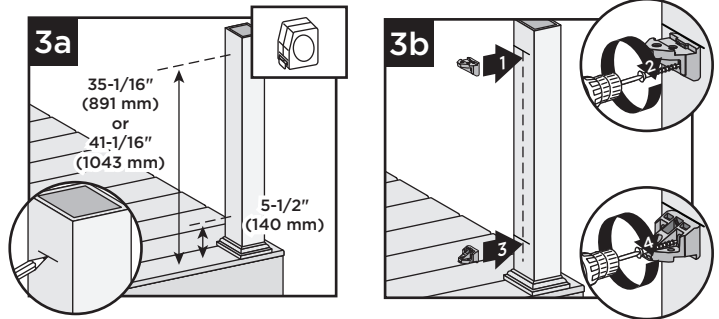
2. Slide post sleeve skirt over post and down to rest on decking surface. Slide post sleeve over post and position inside post sleeve skirt.



**NOTE:** Shims can be used to plumb post sleeves.

### Installing Railing Support Brackets (RSBs)

Option 1: Without TrexExpress railing template:

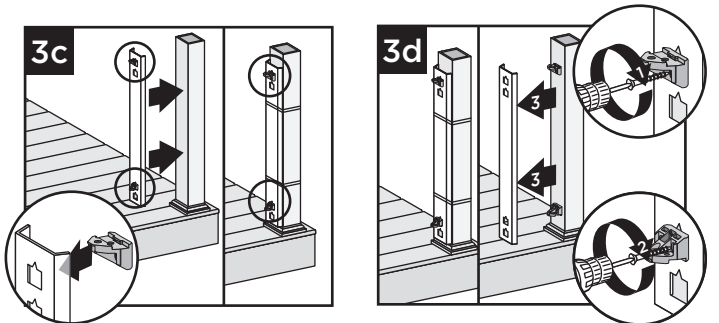


- 3a. For 36", mark 5-1/2" (140 mm) and 35-1/16" (891 mm) from deck surface **OR** for 42" (1067 mm) height, mark 5-1/2" (140 mm) and 41-1/16" (1043 mm) from the deck surface.
- 3b. Place RSBs directly under marks, center on posts, and secure with 2" (51 mm) wood screws (provided). **Place top RSBs flat side up, bottom RSBs flat side down.**

#### 6 X 6 Post Sleeve Notes:

- » 6 x 6 post sleeve is designed to fit over 4 x 4 pressure-treated post.
- » When using a 6 x 6 post sleeve, secure RSB's to post with 2-1/2" (64mm) wood screws provided with the 6 x 6 post sleeve.

Option 2: With TrexExpress railing template:



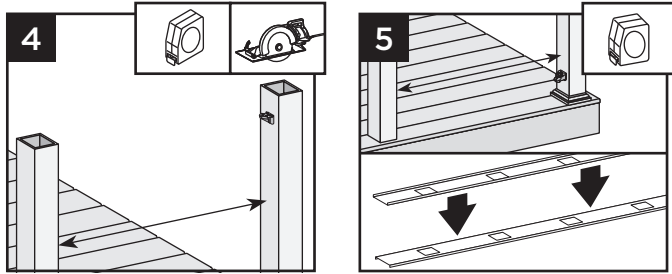
- 3c. Place RSBs in template. **Place top RSBs flat side UP, bottom RSBs flat side DOWN.** Secure template on post with tape or rubber band, with bottom of template resting on post skirt.
- 3d. Secure RSBs with 2" (51 mm) wood screws (provided in railing kit) and remove template.

# TREX TRANSCEND® HORIZONTAL RAILING

## Installation Instructions

### HOW TO INSTALL STANDARD RAILING/CONTINUED TREX TRANSCEND

#### Cutting Railings and Baluster Spacers



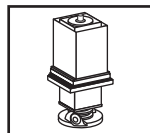
4. Measure between posts and cut rails to length.
5. Cut baluster spacers the same length as rails. Make sure the baluster spacer holes are equally spaced to ensure balusters will line up.

#### NOTES:

- » If using optional rail gaskets, subtract 1/16" (1.6 mm) from each end.
- » Attach baluster spacers to railing before cutting to allow for cleaner cut and less work.
- » When measuring, cut equal lengths from each side of railing and baluster spacer to ensure equal spacing of balusters per each railing section.
- » In some cases, the gasket can be attached before tightening railing to RSB.
- » If gaskets are tight, use a small flat head screwdriver to compress the tabs of the gasket if they are stuck outside the rail.

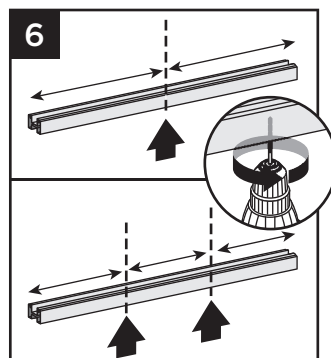
#### IMPORTANT NOTE REGARDING FOOT BLOCK INSTALLATION:

- » One foot block is **REQUIRED** for all railing spans. For commercial applications, spans over 6' will require two foot blocks.
- » Refer to detailed instructions (Trex Transcend® rail instructions) included with foot block prior to installation of railing section as these include other required steps for proper installation.



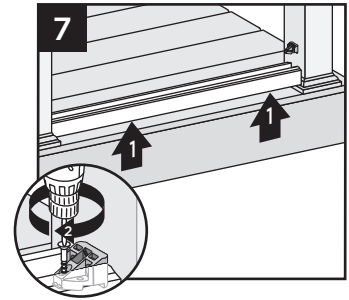
#### Attaching Foot Block to Bottom Rail

6. Invert the bottom rail. Center and drill a hole using a 3/16" drill bit. This will be location for foot block attachment to be installed last. For spans over 6' in commercial applications drill two holes spaced evenly apart for two foot blocks.



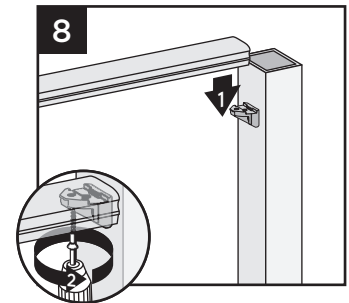
#### Attaching Bottom Rail (Universal Rail)

7. Lift bottom rail so RSBs are in the channel and attach with three self-drilling screws provided (use three outer holes; do not use hole in RSB that is closest to post).



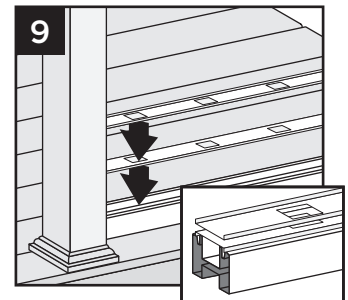
#### Attaching Top Rail - (Crown Rail)

8. Place crown rail on RSBs. Attach top rail to RSB with three self-drilling screws provided (use three outer holes; do not use hole in RSB that is closest to post).



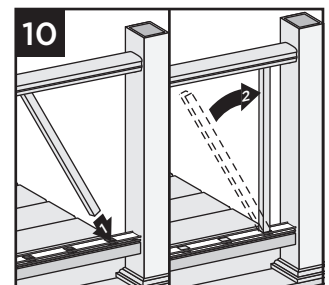
#### Placing Baluster Spacers

9. Snap baluster spacer into bottom rail. Place inverted baluster spacer on top of first baluster spacer. See page 7 if using aluminum round or square balusters for additional information.



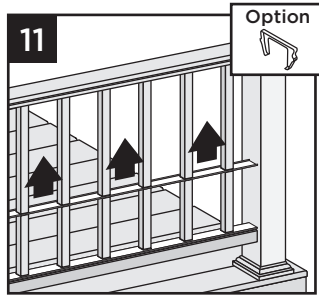
#### Attaching Balusters

10. Place baluster into both baluster spacers, ensuring that balusters are fully seated into the channel. Working at a slight angle, maneuver balusters into top rail.



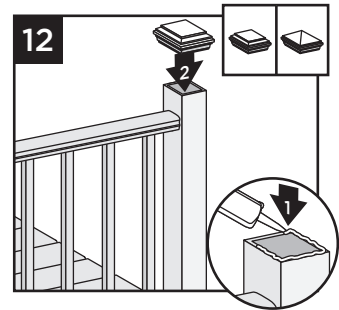
## HOW TO INSTALL STANDARD RAILING/CONTINUED TREX TRANSCEND

11. Slide baluster spacer up and snap into top rail. Place optional top rail gaskets on each end of rail.



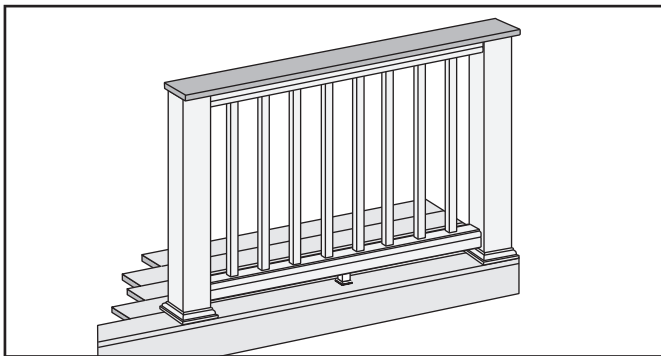
### Attaching Post Caps and Installing Foot Blocks

12. Secure post caps with silicone or PVC adhesive. Attach foot block per foot block instructions.



**NOTE:** Clean up any excess adhesive before it dries.

## HOW TO INSTALL COCKTAIL RAILING TREX TRANSCEND



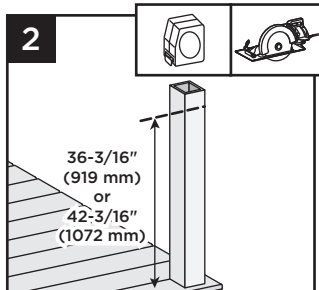
### IMPORTANT NOTES:

- » **ONLY** use with 4" x 4" (102 mm x 102 mm) post and post sleeve. Cutting post and post sleeve **ONLY** applies to the Cocktail style railing.
- » *Enhance and Escapes* cannot be used as top board for cocktail rail.

1. **Installing Pressure-Treated Posts**  
See instructions on page 3.

### Cutting Post and Post Sleeve

2. Mark and cut post and post sleeve measuring from deck surface:
- » 36-3/16" (919 mm) for 36" (914 mm) height.
  - » 42-3/16" (1072 mm) for 42" (1067 mm) height.



3. **Installing Post Sleeve Skirts and Post Sleeves**  
See instructions on page 3.

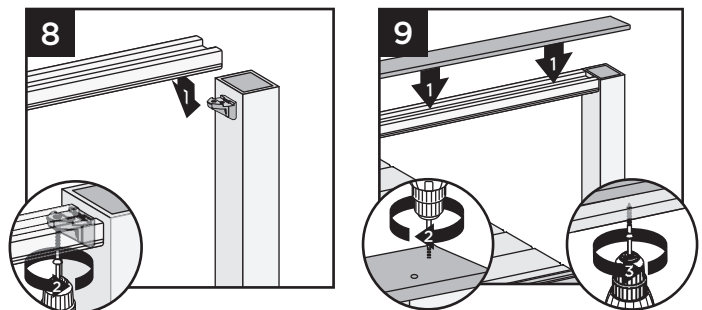
4. **Installing Railing Support Brackets (RSBs)**  
See instructions on page 3.

5. **Cutting Railings and Baluster Spacers**  
See instructions on page 4.

6. **Attaching Foot Block to Bottom Rail**  
See instructions on page 4.

7. **Attaching Bottom Rail (Universal Rail)**  
See instructions on page 4.

### Attaching Inverted Universal Rail as Top Rail



8. Place inverted universal rail onto RSBs. Attach universal rail to RSBs with three self-drilling screws provided (use three outer holes; do not use hole in RSB that is closest to post).
9. Place deck boards over universal rails (**DO NOT** use *Enhance* or *Escapes* deck boards for top rail). Attach boards on each post with Trex-recommended composite screws (quantity of 2 per post as well as each board end). Secure boards to universal rails from underside of railing into bottom of decking board, with 1-5/8" (41 mm) pan-head screws (*not provided*) approximately every 16" (406 mm) on center.

# TREX TRANSCEND® HORIZONTAL RAILING

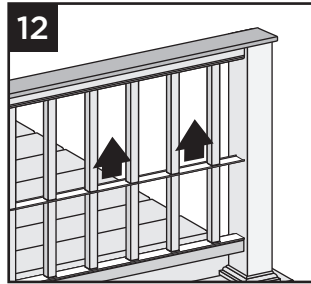
## Installation Instructions

### HOW TO INSTALL COCKTAIL RAILING/CONTINUED TREX TRANSCEND

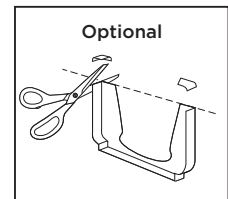
10. **Placing Baluster Spacers**  
See instructions on page 4.

11. **Attaching Balusters**  
See instructions on page 4 for standard balusters or page 7 for aluminum balusters.

12. Slide baluster spacers up and snap into universal rails.



**NOTE:** If necessary, cut tips off rail gaskets prior to installation.

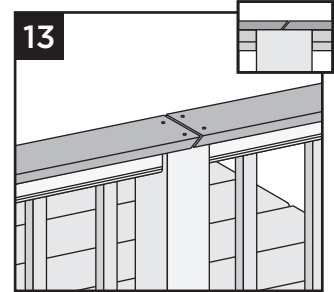


13. Use scarf cut for posts where two deck boards meet.

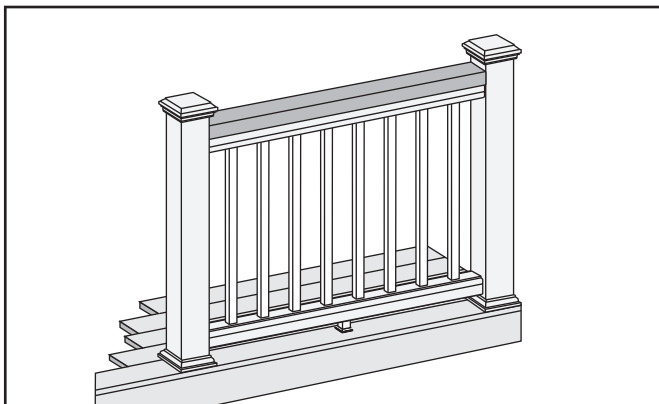
14. **Installing Foot Block**  
Attach foot block per detailed instructions.

**NOTES:**

- » Leave 1/8" (3 mm) gap between deck boards.
- » Deck boards can overhang end of last post a maximum 1/2" (13 mm).



### HOW TO INSTALL TRADITIONAL RAILING TREX TRANSCEND

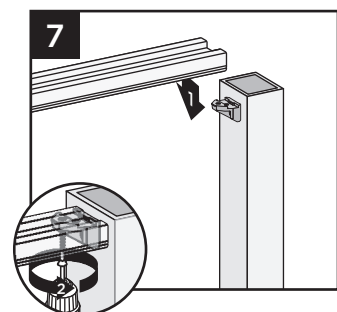


1. **Installing Pressure-Treated Posts**  
See instructions on page 3.
2. **Installing Post Sleeve Skirts and Post Sleeves**  
See instructions on page 3.
3. **Installing Railing Support Brackets (RSBs)**  
See instructions on page 3.

4. **Cutting Railings and Baluster Spacers**  
See instructions on page 4.
5. **Attaching Foot Block to Bottom Rail**  
See instructions on page 4.
6. **Attaching Bottom Rail (Universal Rail)**  
See instructions on page 4.

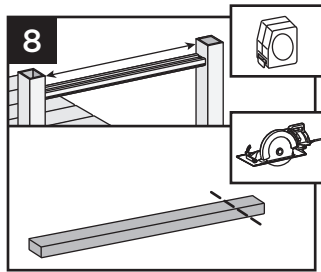
**Attaching Inverted Universal Rail as Top Rail**

7. Place inverted universal rail onto RSBs. Attach universal rail with three self-drilling screws provided (use three outer holes; do not use hole in RSB that is closest to post).

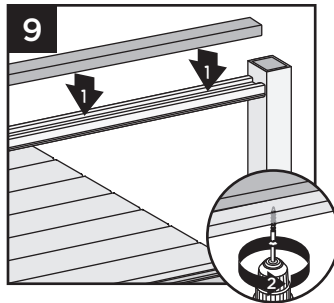


## HOW TO INSTALL TRADITIONAL RAILING/CONTINUED TREX TRANSCEND

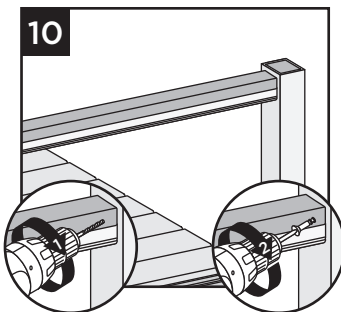
8. Measure between posts and cut 2 x 4 to length.



9. Place 2 x 4 on universal rail. Attach board to rail with 1-5/8" (41 mm) pan-head screws (not provided) approximately every 16" (406 mm) on center.

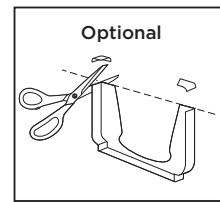
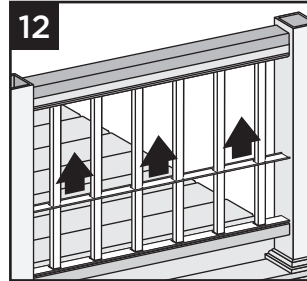


10. Pre-drill a pilot hole and toenail 2-1/2" (64 mm) composite decking screw (not provided) at each end of 2 x 4 into post on back side of rail (side not facing decking).



11. **Placing Baluster Spacers**  
See instructions on page 4.

12. **Attaching Balusters**  
See instructions (page 4) for standard balusters or instructions below for aluminum balusters.



13. Slide baluster spacer up and snap into universal rail.

**NOTE:** If necessary, cut tips off rail gaskets prior to installation.

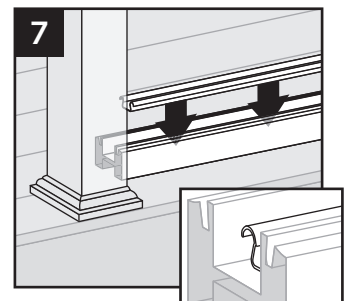
14. **Attaching Post Caps and Installing Foot Block**  
Attach foot block per detailed instructions.

## HOW TO INSTALL ROUND OR SQUARE ALUMINUM BALUSTERS TREX TRANSCEND

- Installing Pressure-Treated Posts**  
See instructions on page 3.
- Installing Post Sleeve Skirts and Post Sleeves**  
See instructions on page 3.
- Installing Railing Support Brackets (RSBs)**  
See instructions on page 3.
- Cutting Railings and Baluster Spacers**  
See instructions on page 4.
- Attaching Foot Block to Bottom Rail**  
See instructions on page 4.
- Attaching Bottom Rail (Universal Rail)**  
See instructions on page 4.

### Installing Lower Aluminum Baluster Adaptor Strip

7. After bottom rail is fully installed, place aluminum baluster adaptor strip into channel of bottom rail, ensuring that it's fully seated into the channel. When rail lengths are non-standard, the baluster adaptor strip will need to be cut 2-1/2" (64 mm) shorter than the rail to allow clearance for the RSBs on each end.



# TREX TRANSCEND® HORIZONTAL RAILING

## Installation Instructions

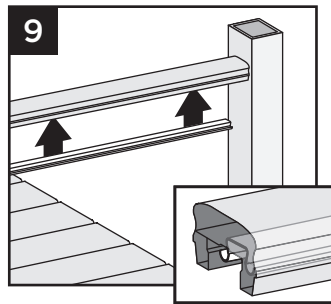
### HOW TO INSTALL ROUND OR SQUARE ALUMINUM BALUSTERS/CONTINUED TREX TRANSCEND

#### 8. Attaching Top Rail

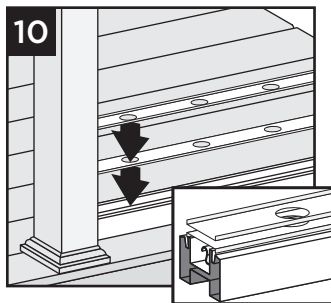
See specific instructions based on top rail of choice.

#### Installing Upper Aluminum Baluster Adaptor Strip, and Baluster Spacers

9. After top rail is fully installed, place aluminum baluster adaptor strip into channel of top rail, ensuring that it's fully seated into the channel. When rail lengths are non-standard, the adaptor strip will need to be cut 2 1/2" (64mm) shorter than the rail to allow clearance for the RBS's on each end.

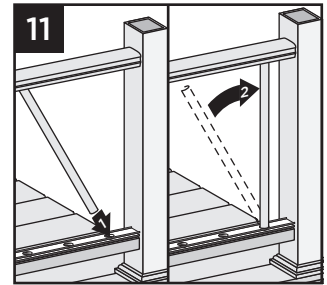


10. Snap baluster spacer into bottom rail. Place inverted baluster spacer on top of first baluster spacer.



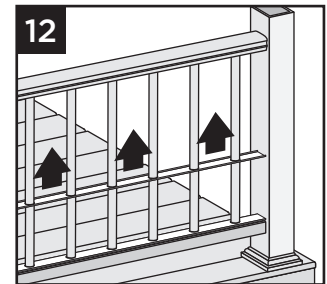
#### 11. Attaching Balusters

Working at a slight angle, press baluster through both baluster spacers and into bottom aluminum baluster adaptor strip, ensuring balusters are tight. Once balusters are seated into aluminum baluster adaptor strip of bottom rail, maneuver baluster into upper rail aluminum baluster adaptor strip. Some force will be needed to press balusters into place and level them.

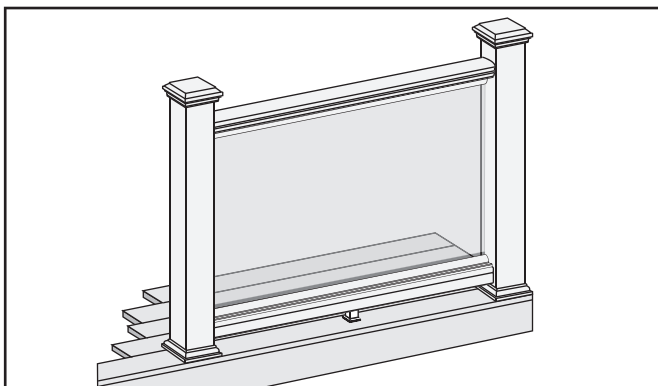


**Tip:** Ensure balusters are level prior to attempting to slide baluster spacer up. This will allow for the baluster spacer to move up freely and snap into upper rail. Use of a rubber mallet to gently tap balusters in level is recommended.

12. Slide baluster spacer up and snap into top rail. Place optional top rail gaskets on each end of rail.



### HOW TO INSTALL STANDARD GLASS PANEL RAILING TREX TRANSCEND



**Notes: Read all instructions BEFORE installation.**

- » You must purchase the 1/4" (6 mm) tempered glass panels. See dimensions below.
- » Glass panels **ONLY** for use with maximum 6' (1.83 m) on center post spacing.



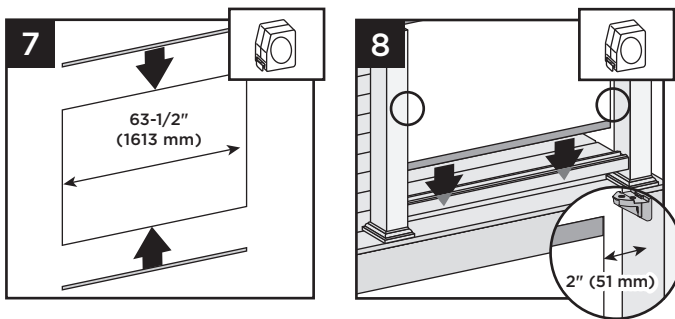
## HOW TO INSTALL STANDARD GLASS PANEL RAILING/*CONTINUED* TREX TRANSCEND

### TEMPERED GLASS PANEL DIMENSIONS

- » **36" (914 mm) high rail:**  
1/4" x 30" x 63-1/2" max.  
(6 mm x 762 mm x 1613 mm)
- » **42" (1067 mm) high rail:**  
1/4" x 36" x 63-1/2" max.  
(6 mm x 914 mm x 1613 mm)

1. **Installing Pressure-Treated Posts**  
*See instructions on page 3.*
2. **Installing Post Sleeve Skirts and Post Sleeves**  
*See instructions on page 3.*
3. **Installing Railing Support Brackets (RSBs)**  
*See instructions on page 3.*
4. **Cutting Railings**  
*See instructions on page 4.*
5. **Attaching Foot Block to Bottom Rail**  
*See instructions on page 4.*
6. **Attaching Bottom Rail (Universal Rail)**  
*See instructions on page 4.*

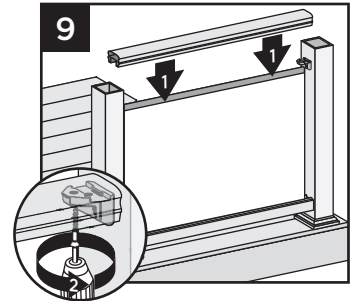
### Attaching Weather-stripping and Positioning Panel



7. Push black edge trim onto top and bottom edges of glass panel. Be sure trim runs entire length of glass. Extra trim can be cut with razor blade or scissors.
8. Position panel with weather-stripping into lower rail channel. Center panel between posts with about 2" (51 mm) of air space on each side of panel.

### Attaching Top (Crown) Rail

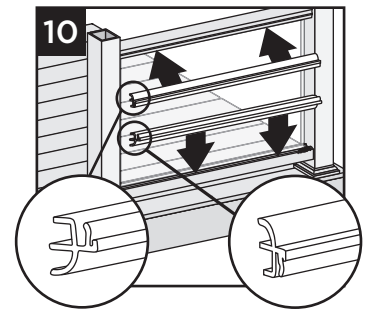
9. Place top rail over RSB brackets and glass panel. Attach top rail to RSB with three self-drilling screws provided (use three outer holes; do not use hole in RSB that is closest to post).



**NOTE:** Avoid hitting glass panel while using the drill.

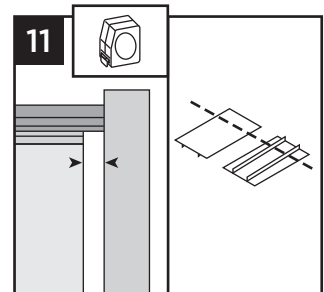
### Attaching Panel Support Molding (PSM)

10. Push PSM into bottom and top rails on both sides of glass to complete snap connection. Lower rail PSM edge rests on top of rail. Top rail PSM snaps flush into rail. When rail lengths are non-standard, the PSM will need to be cut the same length of the cut rails.

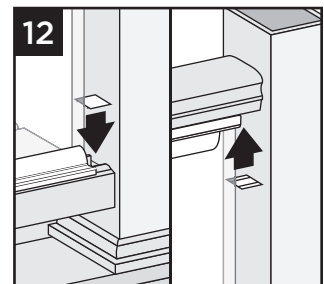


### Hiding Brackets

11. Cut Transcend baluster spacer into four lengths equal to distance between the glass panel and posts. Cut slowly and one at a time to avoid chipping.



12. Snap spacer into bottom and top rail to hide brackets and create a seamless look.

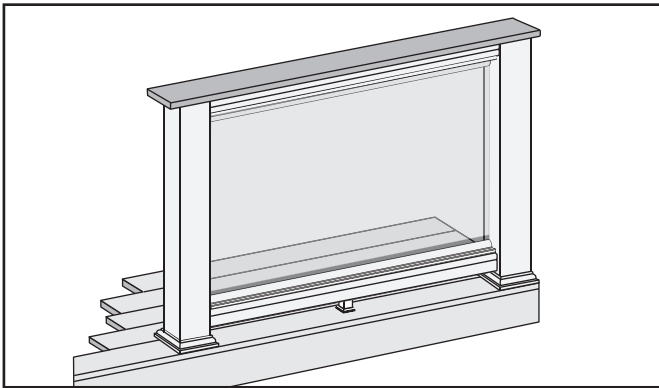


13. **Attaching Post Caps and Installing Foot Blocks**  
*See instructions on page 5 and detailed foot block instructions.*

# TREX TRANSCEND® HORIZONTAL RAILING

## Installation Instructions

### HOW TO INSTALL COCKTAIL STYLE GLASS PANEL RAILING TREX TRANSCEND



**NOTES: Read all instructions BEFORE installation.**

- » You must purchase the 1/4" (6 mm) tempered glass panels. See dimensions at below.
- » Glass panels **ONLY** for use with maximum 6' (1.83 m) on center post spacing.
- » Trex post mounts cannot be used for this application.
- » **DO NOT** use Enhance or Escapes deck board for top rail over universal rails.

#### TEMPERED GLASS PANEL DIMENSIONS

- » **36" (914 mm) high rail:**  
1/4" x 30" x 63-1/2" max.  
(6 mm x 762 mm x 1613 mm)
- » **42" (1067 mm) high rail:**  
1/4" x 36" x 63-1/2" max.  
(6 mm x 914 mm x 1613 mm)

#### 1. Installing Pressure-Treated Posts

See instructions on page 3.

**NOTE:** If installing glass with cocktail rail design, rail posts and post sleeves must be cut.

#### 2. Cutting Post and Post Sleeve

See instructions on page 3.

#### 3. Installing Post Sleeve Skirts and Post Sleeves

See instructions on page 3.

#### 4. Installing Railing Support Brackets (RSBs)

See instructions on page 3.

#### 5. Cutting Railings

See instructions on page 4.

#### 6. Attaching Foot Block to Bottom Rail

See instructions on page 4.

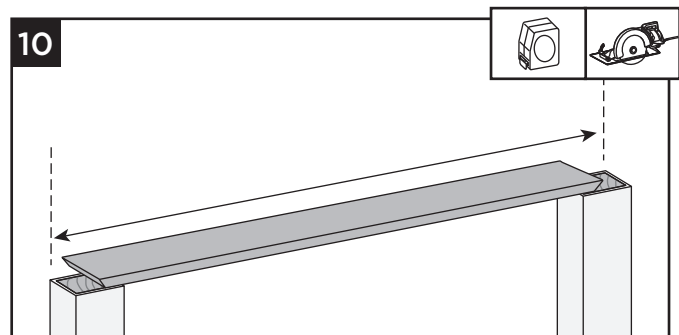
#### 7. Attaching Bottom Rail (Universal Rail)

See instructions on page 4.

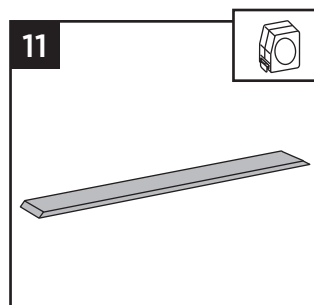
#### 8-9. Attaching Weather-stripping and Positioning Glass Panel

See instructions on page 9.

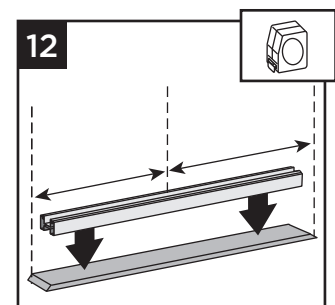
#### Attaching Inverted Universal Rail as Top Rail



10. Cut deck boards to appropriate length of railing span, remembering to include extra space on each side of the deck board to allow for attachment to the post. Decking boards must cover 1/2 of the pressure-treated post to allow this to be fastened later. If you include extra decking material on each side, this can be cut off later if necessary.



11. Place inverted deck board (place top side of deck board down) on clean, flat surface.



12. Place universal rail on the deck board. Orient this properly so when flipped over, the universal rail will accept the glass panel and panel support molding. Center in both directions to allow final attachment to post.

10

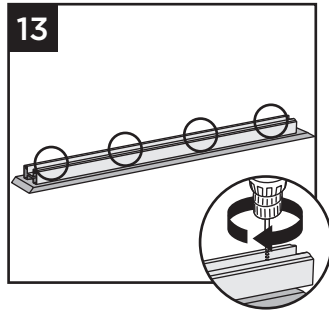
Have Questions?  
**1-800-BUY-TREX**

**NOTE:** Construction methods are always improving. Please ensure you have the most up-to-date installation instructions by visiting: [trex.com](http://trex.com)

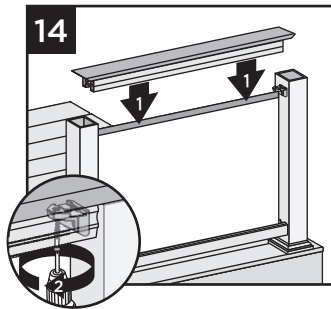
THR-0920

## HOW TO INSTALL COCKTAIL STYLE GLASS PANEL RAILING/CONTINUED TREX TRANSCEND

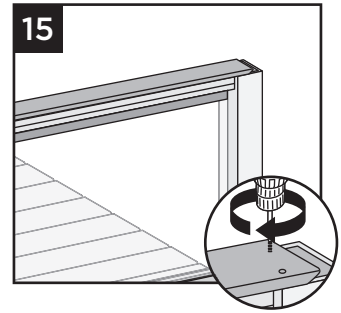
13. Secure deck board to universal rail with 1-5/8" (41 mm) pan head screws (*not provided*), approximately every 16" (406 mm) on center. (DO NOT overtighten. Attach from underside of rail into bottom of decking board.)



14. Place inverted universal rail with deck board attached over RSBs and glass panel. Attach universal rail to RSB's with three self-drilling screws provided (use three outer holes; do not use hole in RSB that is closest to post).



15. Attach deck board to post (ensure that screws are attached to wood post) with Trex recommended composite screws (quantity of 2 per each board end).

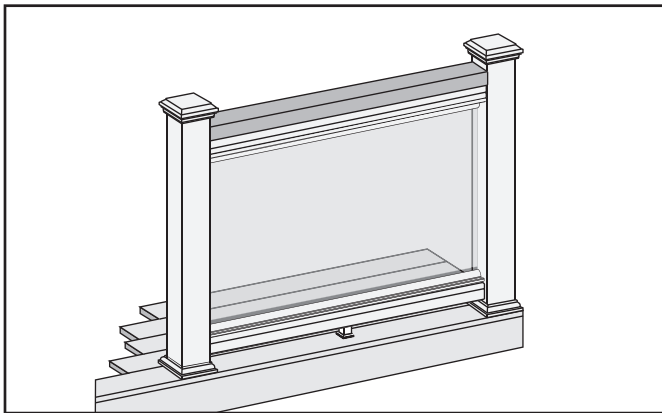


16. **Attaching Panel Support Moldings**  
*See instructions on page 9.*

17-18. **Hiding Brackets** *See instructions on page 9.*

19. **Installing Foot Block**  
*Attach foot block per detailed instructions.*

## HOW TO INSTALL TRADITIONAL STYLE GLASS PANEL RAILING TREX TRANSCEND



### NOTES: Read all instructions **BEFORE** installation.

- » You must purchase the 1/4" (6 mm) tempered glass panels. See dimensions below.
- » Glass panels **ONLY** for use with maximum 6' (1.83 m) on center post spacing.

### TEMPERED GLASS PANEL DIMENSIONS

- » **36" (914 mm) high rail:**  
1/4" x 30" x 63-1/2" max.  
(6 mm x 762 mm x 1613 mm)
- » **42" (1067 mm) high rail:**  
1/4" x 36" x 63-1/2" max.  
(6 mm x 914 mm x 1613 mm)

1. **Installing Pressure-Treated Posts**  
*See instructions on page 3.*
2. **Installing Post Sleeve Skirts and Post Sleeves**  
*See instructions on page 3.*
3. **Installing Railing Support Brackets (RSBs)**  
*See instructions on page 3.*
4. **Cutting Railings**  
*See instructions on page 4.*

# TREX TRANSCEND® HORIZONTAL RAILING

## Installation Instructions

### HOW TO INSTALL TRADITIONAL STYLE GLASS PANEL RAILING/CONTINUED TREX TRANSCEND

5. **Attaching Foot Block to Bottom Rail**

See instructions on page 4.

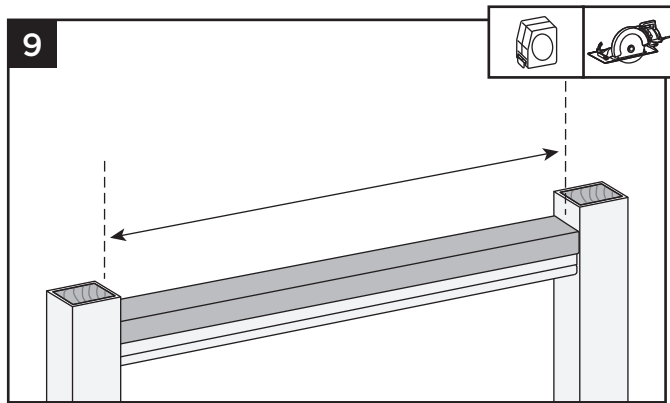
6. **Attaching Bottom Rail (Universal Rail)**

See instructions on page 4.

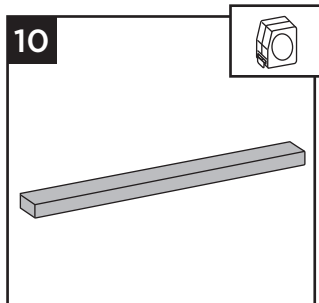
7-8. **Attaching Weather-stripping and Positioning Glass Panel**

See instructions on page 9.

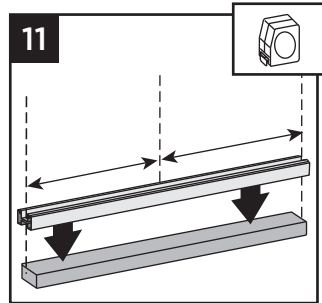
#### Attaching Inverted Universal Rail as Top Rail



9. Measure between posts and cut 2 x 4 to length.

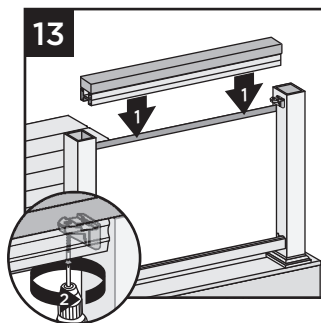
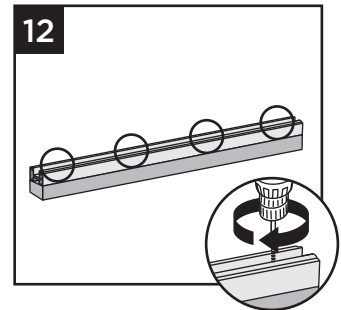


10. Place inverted 2 x 4 on clean, flat surface (place top side down).

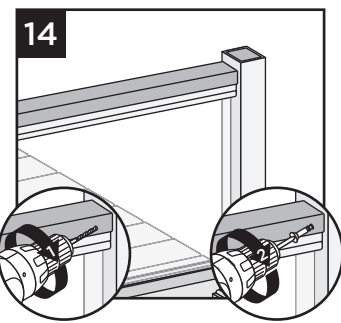


11. Place universal rail (remembering to orient this properly so that when flipped over, the universal rail will accept the glass panel and panel support molding, on the 2 x 4, centered).

12. Secure 2 x 4 to universal rail with 1-5/8" (41 mm) pan head screws (*not provided*) approximately every 16" (406 mm) on center. (DO NOT overtighten. Attach from underside of rail into bottom of decking board.)



13. Place inverted universal rail with 2 x 4 attached over RSBs and glass panel. Attach universal rail to RSB's with three self-drilling screws provided (use three outer holes; do not use hole in RSB that is closest to post).



14. Pre-drill a pilot hole and toenail 2-1/2" (64 mm) composite deck screw (*not provided*) at each end of the 2 x 4 into post on back side (side not facing decking).

15. **Attaching Panel Support Moldings**

See instructions on page 9.

16-17. **Hiding Brackets**

See instructions on page 9.

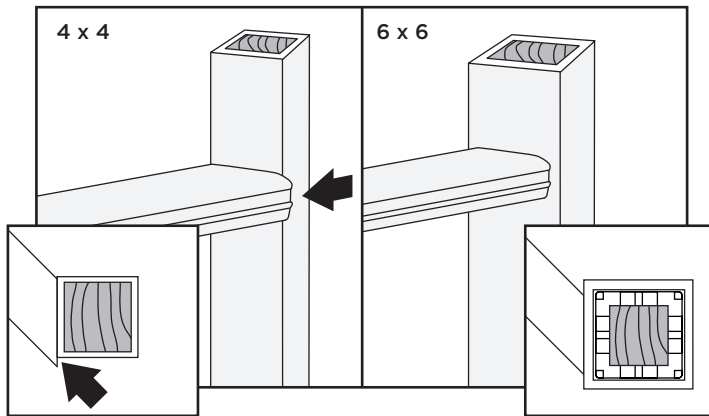
18. **Attaching Post Caps and Installing Foot Block**

See instructions on page 5 and detailed foot block instructions.

12

## HOW TO INSTALL ON-AN-ANGLE RAILING TREX TRANSCEND (CROWN AND UNIVERSAL RAILING)

**NOTE:** Trex railing brackets are designed to be installed up to a 45° angle.



- » **Small angles** (1° - 30°). Both 4" x 4" (102 mm x 102 mm) or 6" x 6" (152 mm x 152 mm) post sleeves work well.
- » **Large angles** (31° - 45°). **Use only 6" x 6"** (152 mm x 152 mm) post sleeves when installing on flat side.
- » **45° angles** using 4" x 4" (102 mm x 102 mm) post sleeves **must** use Transcend Bird's Mouth brackets.
- » Using 6" x 6" (152 mm x 152 mm) post sleeves at 45° angles. Brackets are installed off-center and use 45° Transcend gaskets.
- » Railing gaskets are designed to fit at 0°, 22.5°, and 45° angles. Gaskets are labeled with appropriate angle dimension.

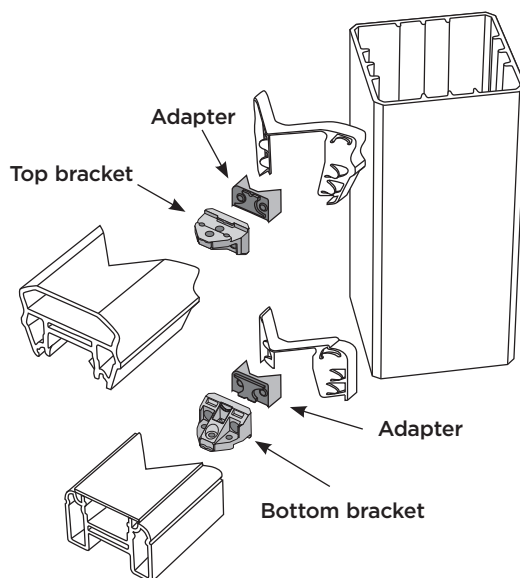
## HOW TO INSTALL CROWN AND UNIVERSAL BIRD'S MOUTH RAILING TREX TRANSCEND®

### NOTES:

- » Use with 4" x 4" (102 mm x 102 mm) post sleeve **ONLY**.
- » Gaskets are only designed for use with Transcend crown and universal railing.

Read all instructions **BEFORE** installation.

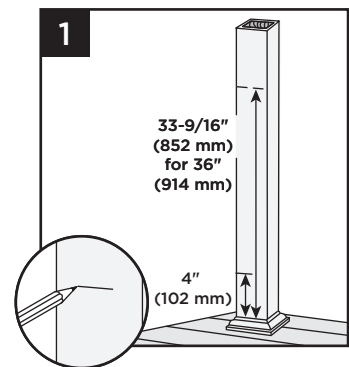
### PARTS



### Mark Posts

1. Measure and mark 4" (102 mm) and 33-9/16" (852 mm) up from top of post skirt.

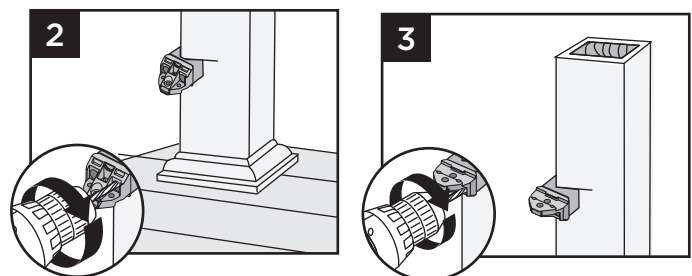
**NOTE:** Without skirt, add 1-1/2" (38 mm) to measurements.



### Attaching Adapters

Snap adapters into RSBs.

### Pre-drill Bottom and Top RSBs



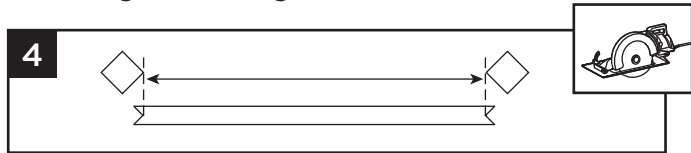
2. Position RSBs with adapter (flat side DOWN) for lower rail, mark and pre-drill screw holes with 1/8" (3 mm) drill bit on post.
3. Position RSBs with adapter (flat side UP) for top rail, mark and pre-drill screw holes with 1/8" (3 mm) drill bit on post.

# TREX TRANSCEND® HORIZONTAL RAILING

## Installation Instructions

### HOW TO INSTALL CROWN AND UNIVERSAL BIRD'S MOUTH RAILING/CONTINUED TREX TRANSCEND®

#### Measuring and Cutting Rails



4. Measure from corner-to-corner between posts. Mark 45° cuts on rails with template on assembly tool. Center of "V's" is the distance from corner-to-corner for posts.

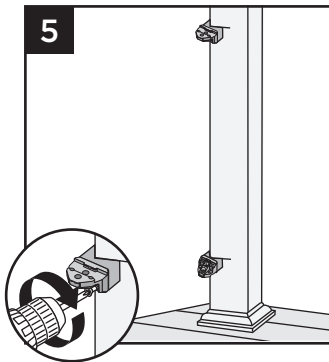
**NOTE:** Subtract 1/16" (1.6 mm) from each end to accommodate rail gaskets.

#### Attaching Top and Bottom RSBs

5. Attach RSBs with adapters to posts with wood screws (provided).

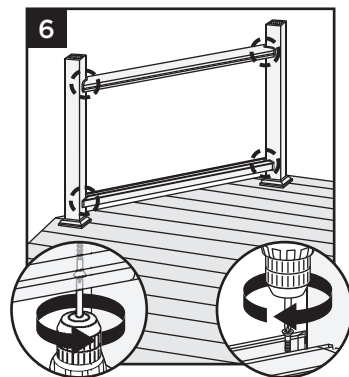
#### NOTES:

- » Drill at slight inward angle to drill holes on marks.
- » Lay cut lower rail into position on decking surface between the posts before attaching the lower RSB. There may be some difficulty attaching the lower rail if you fail to do this.



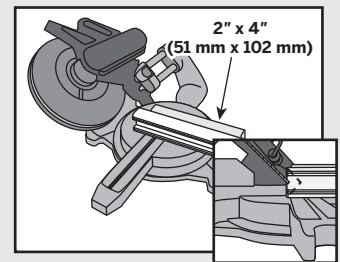
#### Installing Railings to RSB's

6. Attach with self-tapping screws (provided).



#### Using Miter Box Saw to Cut Rails

1. Place 2 x 4 on edge behind the rail to allow for complete cut.
2. Angle blade to 45°.
3. Set stop on saw so blade travels half the depth of rails. Several test cuts can be made on scrap material to accurately set the stop.
4. "V" cut both sides of the rail.



**NOTE:** Transcend's crown and universal rails will require different stop settings.



