



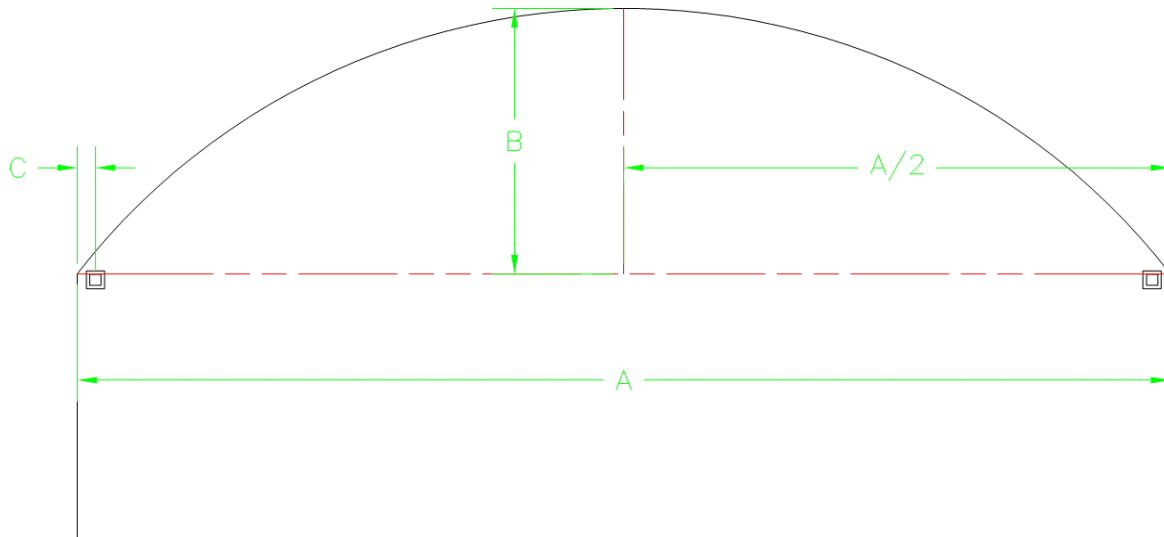
TREX SIGNATURE® CURVED RAILING ORDER CONFIRMATION

Customer Name: _____ Phone: _____ Date: _____
 Billing Address: _____ City: _____ State: _____
 Shipping Address: _____ City: _____ State: _____ Zip: _____

Product Information

Product Style: Square Baluster Rail Height: 36" Color: Charcoal Black

Geometry



REF	DESCRIPTION	DIMENSION
A	Overall Dimension at Edge of Decking	
A/2	Centerpoint of Dimension A	
B	Offset to Edge of Decking at Centerline of Posts	
C	Post Centerline Offset from Edge of Deck	
	Decking Radius	
	Railing Centerline Radius	
	Arc Length	
	Requested Qty of Rolled Sections	
	Minimum Qty of Rolled Sections Required	
	Order Total, USD	

Authorized Signature: _____

NOTE: SALES TAX IS NOT INCLUDED IN THE QUOTE. SALES TAX WILL BE ADDED AT TIME OF BILLING.

LEAD TIME IS 7-8 WEEKS FROM RECEIPT OF CREDIT CARD PAYMENT

quotes@sightlinecommercial.com

Phone: 877-215-RAIL